

PLEASE CHECK WWW.MOLEX.COM FOR LATEST PART INFORMATION

Part Number: [0555600207](#)
Status: **Active**
Overview: [slimstack_050mm_020_pitch](#)
Description: 0.50mm (.020") Pitch SlimStack™ Plug, Surface Mount, Dual Row, Vertical, 1.50mm (.059") Stack Height, 20 Circuits

Documents:

[3D Model](#) [Product Specification PS-54722-010 \(PDF\)](#)
[Drawing \(PDF\)](#) [RoHS Certificate of Compliance \(PDF\)](#)
[Product Specification PS-54722-009 \(PDF\)](#)

General

| | |
|----------------|---|
| Product Family | PCB Headers |
| Series | 55560 |
| Application | Board-to-Board |
| Overview | slimstack_050mm_020_pitch |
| Product Name | SlimStack™ |

Physical

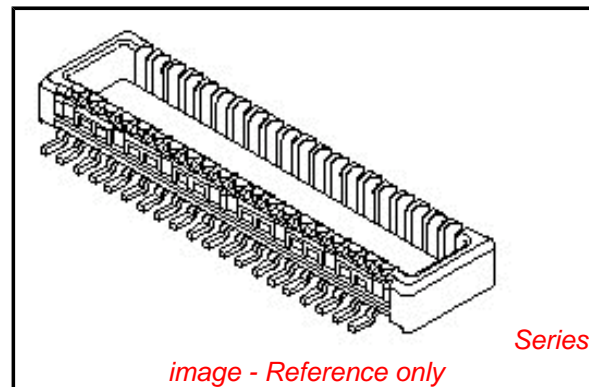
| | |
|--------------------------------|-----------------------|
| Breakaway | No |
| Circuits (Loaded) | 20 |
| Circuits (maximum) | 20 |
| First Mate / Last Break | No |
| Glow-Wire Compliant | No |
| Guide to Mating Part | No |
| Keying to Mating Part | None |
| Lock to Mating Part | Yes |
| Mated Height (in) | 0.059 In |
| Mated Height (mm) | 1.50 mm |
| Material - Metal | Brass |
| Material - Plating Mating | Gold |
| Material - Plating Termination | Gold |
| Number of Rows | 2 |
| Orientation | Vertical |
| PC Tail Length (in) | 0.029 In |
| PC Tail Length (mm) | 0.74 mm |
| PCB Locator | No |
| PCB Retention | None |
| Packaging Type | Embossed Tape on Reel |
| Pitch - Mating Interface (in) | 0.020 In |
| Pitch - Mating Interface (mm) | 0.50 mm |
| Plating min: Mating (µin) | 10 |
| Plating min: Mating (µm) | 0.25 |
| Plating min: Termination (µin) | 4 |
| Plating min: Termination (µm) | 0.1 |
| Shrouded | Fully |
| Stackable | No |
| Temperature Range - Operating | -25°C to +85°C |
| Termination Interface: Style | Surface Mount |

Electrical

| | |
|-------------------------------|------|
| Current - Maximum per Contact | 0.5A |
| Voltage - Maximum | 50V |

Material Info

Reference - Drawing Numbers



EU RoHS

**ELV and RoHS
Compliant**
REACH SVHC
 Not Reviewed
**Halogen-Free
Status**

China RoHS



**Need more information on product
environmental compliance?**

Email productcompliance@molex.com
 For a multiple part number RoHS Certificate of
 Compliance, [click here](#)

Please visit the [Contact Us](#) section for any
 non-product compliance questions.

Search Parts in this Series

[55560Series](#)

Mates With

[54722 PCB Receptacle](#)

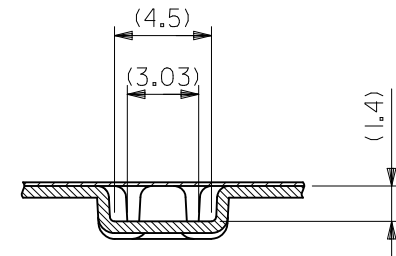
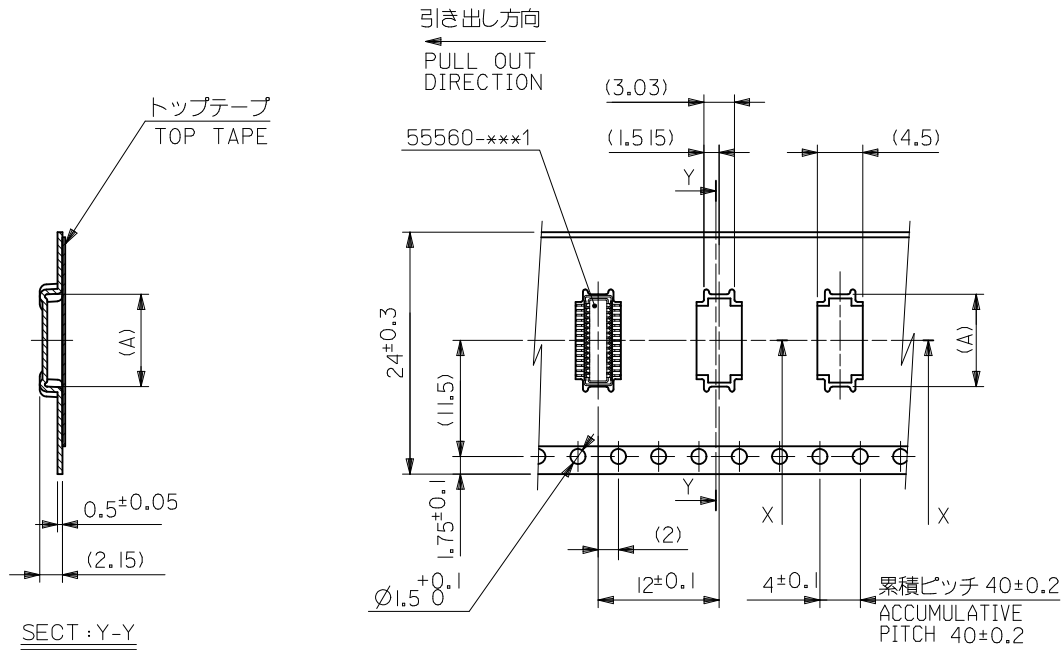
Packaging Specification
Product Specification

SPK-55560-001
PS-54722-009, PS-54722-010, RPS-54037-011,
RPS-54722-017, RPS-54722-018, RPS-54722-019,
RPS-54722-024, RPS-54722-026, RPS-54722-028,
RPS-54722-029, RPS-54722-030, RPS-54722-031,
RPS-54722-034
SD-55560-007

Sales Drawing

This document was generated on 05/27/2010

PLEASE CHECK WWW.MOLEX.COM FOR LATEST PART INFORMATION

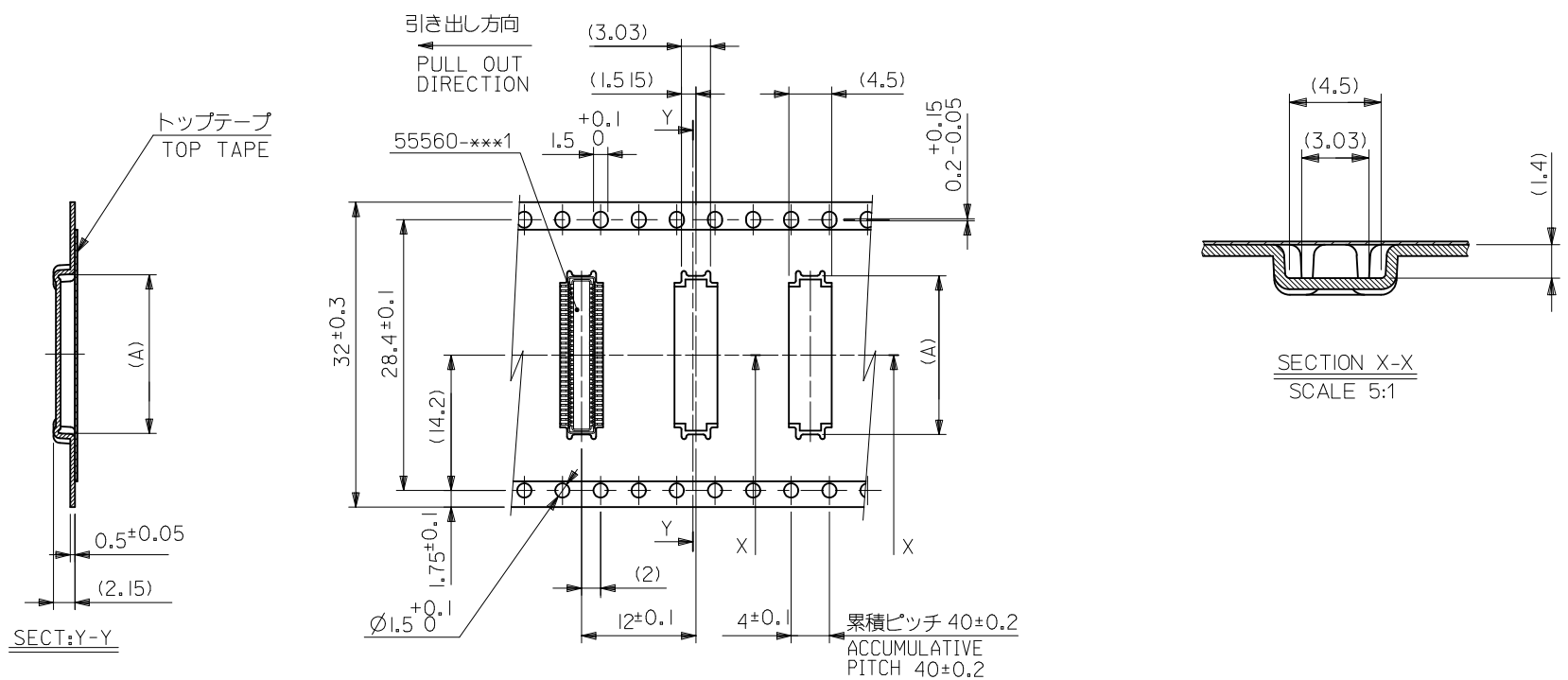


SECTION X-X
SCALE 5:1

24mm幅キャリアテープ
24mm WIDTH CARRIER TAPE

| | | | | | |
|--------------------------------|------|-------|--------------|------------|---------------|
| 24 | 25.5 | 14.15 | 55560-0507 | 55560-***7 | 50 |
| | | 11.65 | 55560-0407 | | 40 |
| | | 10.15 | 55560-0347 | | 34 |
| | | 9.15 | 55560-0307 | | 30 |
| | | 7.65 | 55560-0247 | | 24 |
| | | 7.15 | 55560-0227 | | 22 |
| キャリアテープ幅 CARRIER TAPE WIDTH | B | (A) | MATERIAL No. | MODEL No. | 極数 CIRCUIT |

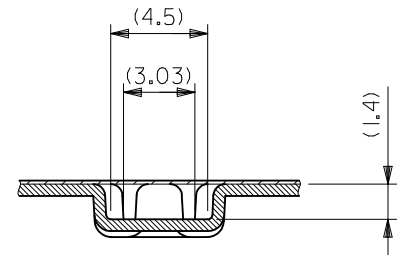
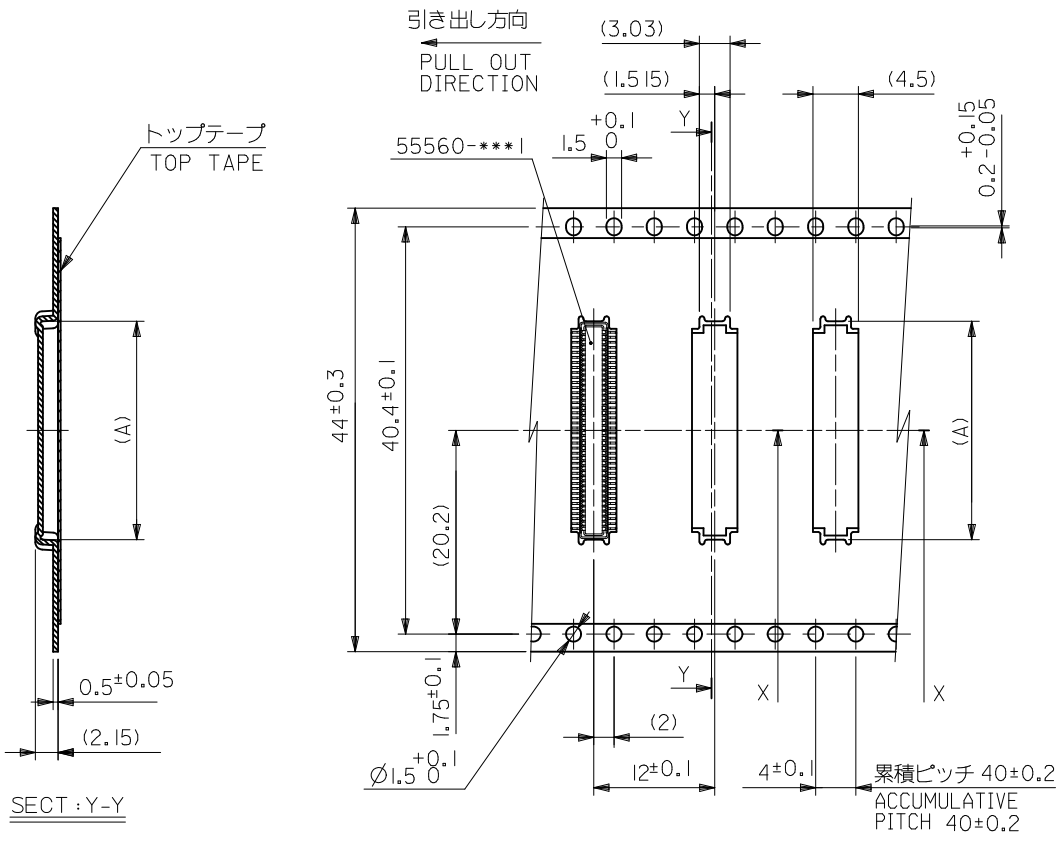
| | | | | | | | |
|---|---------------------------------------|-------------|--|-------------------|---|------------------------------|------------------------|
| REVISED EC NO: J2010-1529 DRWN: YON002 CHKD: SMARUYAMA APPR: MSASAO 2010/01/28 2010/02/01 2010/02/02 | GENERAL TOLERANCES (UNLESS SPECIFIED) | | DIMENSION STYLE MM ONLY | | SCALE --- | DESIGN UNITS METRIC | THIRD ANGLE PROJECTION |
| | 10 UNDER | ±0.2 | DRAWN BY S. AIHARA | DATE '00/10/06 | TITLE 0.5 B-T0-B PLUG ASSY (HGT=1.5) EMBSTP PKG (SHEET 3 OF 5) | | |
| | 10 OVER 30 UNDER | ±0.25 | CHECKED BY M. SASAO | DATE '03/03/31 | MOLEX INCORPORATED | | |
| | 30 OVER | ±0.3 | APPROVED BY M. SASAO | DATE '03/03/31 | MATERIAL NO. SEE TABLE | DOCUMENT NO. SD-55560-007 | SHEET NO. 3 OF 5 |
| J | REVISION | DESCRIPTION | ANGULAR ±3 ° | | THIS DRAWING CONTAINS INFORMATION THAT IS PROPRIETARY TO MOLEX INCORPORATED AND SHOULD NOT BE USED WITHOUT WRITTEN PERMISSION | | |
| | | | DRAFT WHERE APPLICABLE MUST REMAIN WITHIN DIMENSIONS | | | | |



32mm幅キャリアテープ
32mm WIDTH CARRIER TAPE

| | | | | | |
|--------------------------------|------|-------|--------------|------------|---------------|
| 32 | 33.5 | 16.65 | 55560-0607 | 55560-***7 | 60 |
| キャリアテープ幅 CARRIER TAPE WIDTH | B | (A) | MATERIAL No. | MODEL No. | 極数 CIRCUIT |

| | | | | | | | |
|--|---------------------------------------|--|---|-------------------|---|------------------------------|------------------------|
| REVISED EC NO: J2010-1529 DRWN: YON002 CH'KD: SMARUYAMA APPR: MSASAO 2010/01/28 2010/02/01 2010/02/02 | GENERAL TOLERANCES (UNLESS SPECIFIED) | | DIMENSION STYLE MM ONLY | | SCALE --- | DESIGN UNITS METRIC | THIRD ANGLE PROJECTION |
| | 10 UNDER | ±0.2 | DRAWN BY T. YASUI | DATE '02/03/06 | TITLE 0.5 B-TO-B PLUG ASSY (HGT=1.5) EMBSTP PKG (SHEET 4 OF 5) | | |
| | 10 OVER 30 UNDER | ±0.25 | CHECKED BY M. SASAO | DATE '03/03/31 | MOLEX INCORPORATED | | |
| | 30 OVER | ±0.3 | APPROVED BY M. SASAO | DATE '03/03/31 | MATERIAL NO. SEE CHART | DOCUMENT NO. SD-55560-007 | SHEET NO. 4 OF 5 |
| J | DESCRIPTION | ANGULAR ±3 ° | THIS DRAWING CONTAINS INFORMATION THAT IS PROPRIETARY TO MOLEX INCORPORATED AND SHOULD NOT BE USED WITHOUT WRITTEN PERMISSION | | | | |
| | | DRAFT WHERE APPLICABLE MUST REMAIN WITHIN DIMENSIONS | | | | | |



SECTION X-X
SCALE 5:1

SECT: Y-Y

44mm幅キャリアテープ
44mm WIDTH CARRIER TAPE

| | | | | | |
|--------------------------------|------|-------|--------------|------------|---------------|
| 44 | 45.5 | 21.65 | 55560-0807 | 55560-***7 | 80 |
| キャリアテープ幅 CARRIER TAPE WIDTH | B | (A) | MATERIAL No. | MODEL No. | 極数 CIRCUIT |

| | | | | | | | |
|--|--|-------------|----------------------------|--|--|------------------------|---------------------------|
| REVISED EC NO: J2010-1529 DRWN: YON002 2010/01/28 CHKD: SMARUYAMA 2010/02/01 APPR: MSASAO 2010/02/01 J REV | GENERAL TOLERANCES (UNLESS SPECIFIED) | | DIMENSION STYLE MM ONLY | | SCALE --- | DESIGN UNITS METRIC | THIRD ANGLE PROJECTION |
| | 10 UNDER | ±0.2 | DRAWN BY | DATE | TITLE | | |
| | 10 OVER 30 UNDER | ±0.25 | S. AIHARA | '00/10/06 | 0.5 B-T0-B PLUG ASSY (HGT=1.5) EMBSTP PKG (SHEET 5 OF 5) | | |
| | 30 OVER | ±0.3 | M. SASAO | '03/03/31 | MOLEX INCORPORATED | | |
| ANGULAR ±3 ° | | APPROVED BY | | DATE | MATERIAL NO. | | DOCUMENT NO. |
| DRAFT WHERE APPLICABLE MUST REMAIN WITHIN DIMENSIONS | | M. SASAO | | '03/03/31 | SEE CHART | | SD-55560-007 |
| | | SIZE | | THIS DRAWING CONTAINS INFORMATION THAT IS PROPRIETARY TO MOLEX INCORPORATED AND SHOULD NOT BE USED WITHOUT WRITTEN PERMISSION | | | SHEET NO. 5 OF 5 |