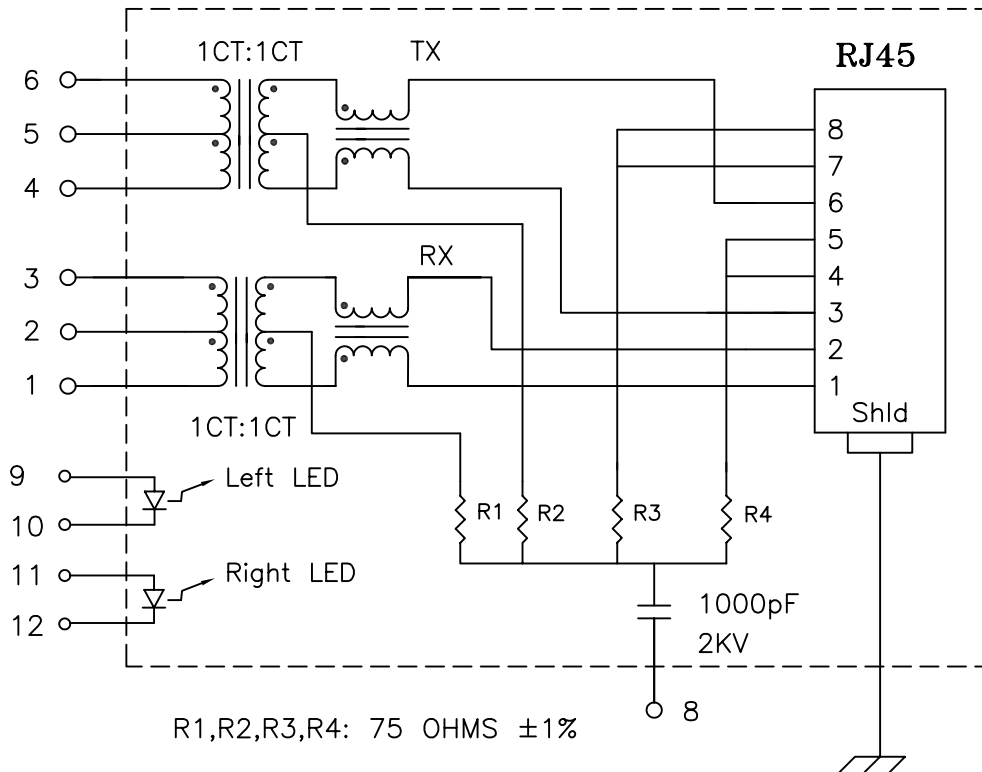


Schematic:



Electrical Specifications: @25°C

Isolation Voltage: 1500 Vrms (Input to Output)

Isolation Voltage: 500 Vrms (P1+2+3 to P4+5+6)

Turns Ratio: TX 1CT:1CT ±3% RX 1CT:1CT ±3%

CABLE SIDE OCL: 350uH Minimum @100KHz 100mV 8mADC

Insertion Loss (300KHz-100MHz): -1.0dB Maximum

Return Loss: @30MHz -18dB Minimum

@80MHz -15dB Typ

Crosstalk: 40dB Typ @1MHz to 100MHz

Common Mode to Differential Mode Rejection:

30MHz-100MHz -35dB Typ

Q: 18 Min @100KHz 0.1V

Complete the Combo P/N as follows:

Replace 'x' & 'u' in the part number with one of the LED color letters:

Y=Yellow 'x' = Left LED Color
G=Green 'u' = Right LED Color
A=Amber
R=Red

C=Green(1)/Amber(2) Bicolor

D=Amber(1)/Green(2) Bicolor

M=Green(1)/Yellow(2) Bicolor

N=Yellow(1)/Green(2) Bicolor

P=Red(1)/Green(2) Bicolor

Q=Green(1)/Red(2) Bicolor

E=Red(1)/Yellow(2) Bicolor

F=Yellow(1)/Red(2) Bicolor

H=Amber(1)/Yellow(2) Bicolor

Single Color LED:

Bi-Color LED:

(1) (2)

Notes:

1. Solderability: Leads shall meet MIL-STD-202G, Method 208H for solderability.
2. Flammability: UL94V-0
3. ASTM oxygen index: > 28%
4. UL Recognized Component: File Number E165866
5. Operating Temperature Range: All listed parameters are to be within tolerance from -40°C to +85°C
6. Storage Temperature Range: -55°C to +125°C
7. Aqueous wash compatible
8. Electrical and mechanical specifications 100% tested
9. RoHS Compliant Component

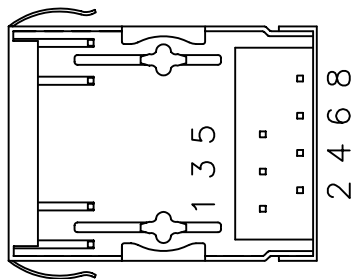
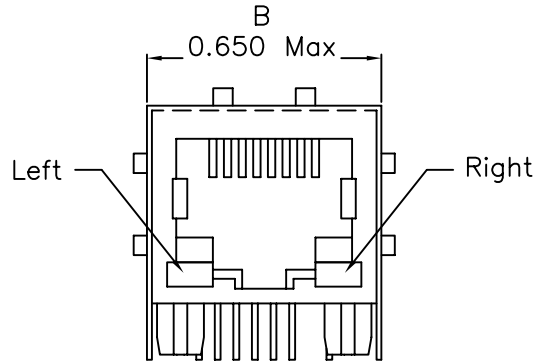
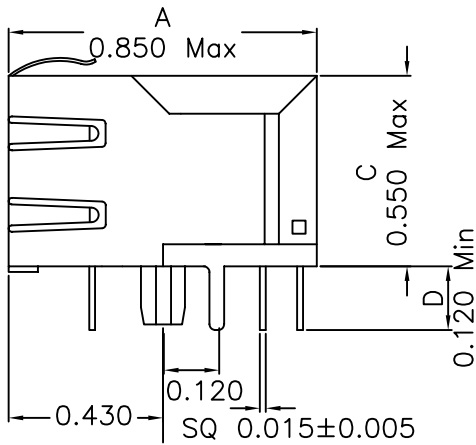
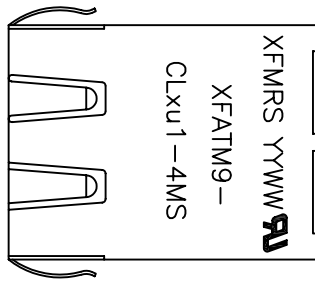
DOC REV: A/11

PROPRIETARY:

Document is the property of XFMRS Group & is not allowed to be duplicated without authorization.

XFMRS Inc. www.XFMRS.com		Title: SINGLE PORT COMBO	
UNLESS OTHERWISE SPECIFIED TOLERANCES: .xxx ±0.010		P/N: XFATM9-CLxu1-4MS	REV. A
Dimensions in Inch	DWN.	Feng	May-31-11
SHEET 1 OF 2	CHK.	YK Liao	May-31-11
	APP.	BW	May-31-11

Mechanical Dimensions:

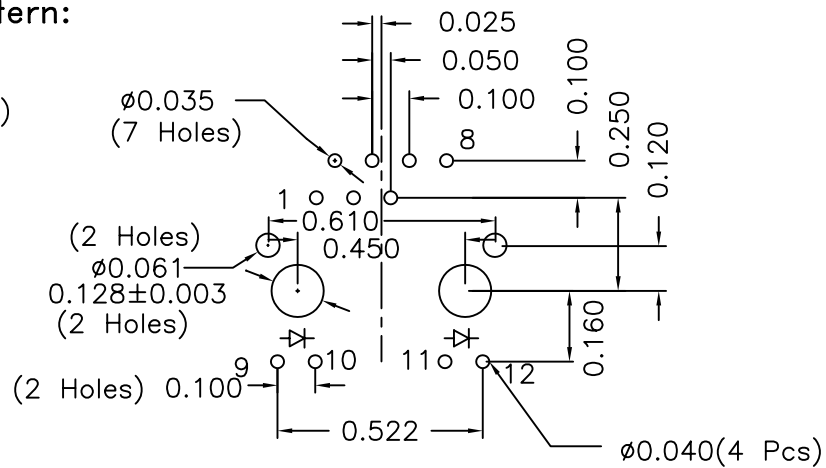


(BOTTOM VIEW)

*Remove Pin#7

Mounting Pattern:

(COMP SIDE)



DOC REV: A/11

XFMRs Inc.
www.XFMRS.com

Title: Mechanical Dimensions
For CLXu1-4MS Series

UNLESS OTHERWISE SPECIFIED
TOLERANCES:
.xxx ±0.010
Dimensions in Inch

P/N: XFATM9-CLXu1-4MS		REV. A
DWN.	Feng	May-31-11
CHK.	YK Liao	May-31-11
APP.	BW	May-31-11

PROPRIETARY:

Document is the property of XFMRs Group & is not allowed to be duplicated without authorization.

SHEET 2 OF 2