
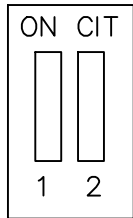


THIS DOCUMENT CONTAINS DATA PROPRIETARY TO PROJECTS UNLIMITED, INC. ANY USE OR REPRODUCTION, IN ANY FORM, WITHOUT PRIOR WRITTEN PERMISSION OF PROJECTS UNLIMITED, INC. IS PROHIBITED.  
 ©2005, Projects Unlimited Inc.

## SPECIFICATIONS

PARAMETERS	VALUES	UNITS
RATED VOLTAGE	24	Vdc
OPERATING VOLTAGE RANGE	9 ~ 28	Vdc
RATED CURRENT	6	mA
FASH RATE	30 & 60	PULSE PER MINUTE
INGRESS PROTECTION	IP54 	-
COLOR	RED	-
OPERATING TEMPERATURE	-10 ~ +55	°C
HOUSING MATERIAL	ABS	-
TERMINAL MATERIAL	SCREW	-
WEIGHT	100	grams

### DETAIL "A"



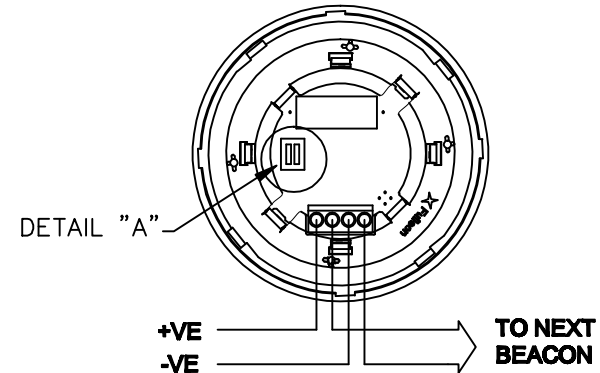
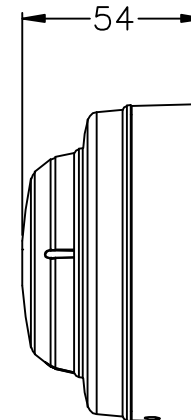
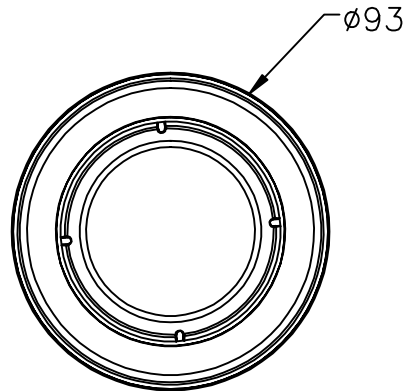
#### CONNECTION DETAILS

##### SWITCH 1 (POWER)

OPEN-LOW (3mA nom)  
 CLOSED-HIGH (5mA nom)

##### SWITCH 2 (RATE)

OPEN-SLOW (1/2Hz)  
 CLOSED-FAST (1Hz)



OPTIONAL BASES  
 DEEP BASE: AWA-DBR  
 U BASE: AWA-UBR  
 120Vac BASE: AWA-DBR-120

#### NOTES:

- ALL DIMENSIONS ARE IN MILLIMETERS.
- SPECIFICATION SUBJECT TO CHANGE OR WITHDRAWAL WITHOUT NOTICE.
- THIS PART IS RoHS 2002/95/EC COMPLIANT.
- IP65 WITH USE OF AWA-DBR, AWA-DBR-120, OR AWA-UBR BASE.

FILE NAME  
 VW-35SBR-RL.DWG

UNLESS OTHERWISE SPECIFIED:  
 DIMENSIONS ARE IN MILLIMETERS, TOLERANCES ARE ±0.5 AND ANGLES ARE ±3°.

APPROVALS	DATE
DRAWN <i>J.A.F.</i>	12/05
CHECKED <i>E.P.</i>	12/05
APPROVED <i>B.R.</i>	12/05

 projects® unlimited  
 Dayton, Ohio

SIREN

SIZE A DRAWING NO. VW-35SBR-RL

DO NOT SCALE DRAWING SCALE: N.T.S. SHEET 1 OF 1

REVISIONS			
LTR	DESCRIPTION	DATE	APPROVED
-	RELEASED FROM ENGINEERING	12/6/05	
A	ADDED RoHS, BASE NOTES & CURRENT	5/21/07	R.W.
B	REVISED DETAIL "A" DIL SWITCH	3/11/09	B.R.