

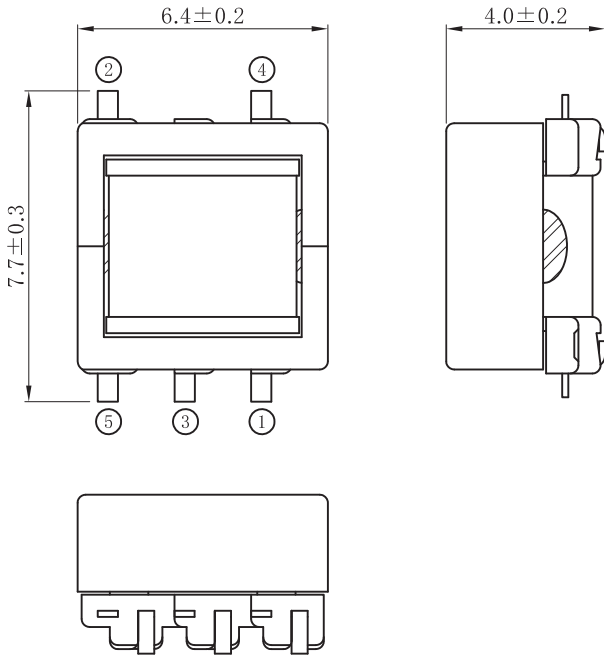
# TTRN-038S series

Tokyo Coil SMD Transformers for Photoflash Capacitor Charger

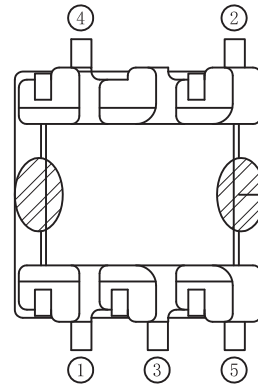
## Dimensions

Rohs Compliant : Conformity to RoHS Directive

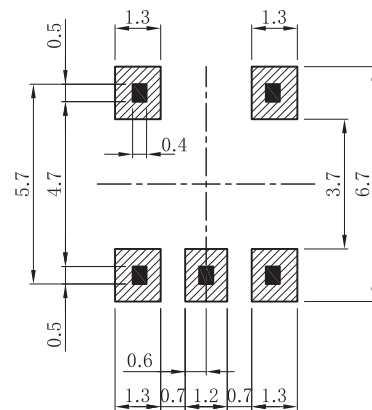
### Top View



### Bottom View



### Pad Layout

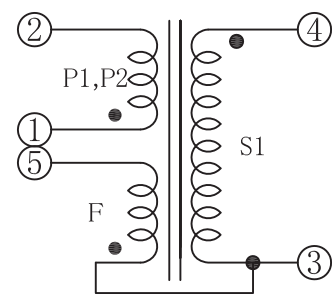


## Electrical Specifications

ex) TTRN-038S-060-T

1 INDUCTANCE (Primary)		8.40 $\mu$ H
2 RATIO		1 : 12.9
3 LEAKAGE INDUCTANCE (Primary inductance with secondary short)		0.200 $\mu$ H
4 DC Resistance	Primary Secondary Feedback	185 m $\Omega$ MAX 33.5 $\Omega$ MAX 1.25 $\Omega$ MAX
5 Withstanding Voltage		Pri-Sec : 500Vrms
6 Operating Temperature Range		-20 to +85 deg.
7 Maximum primary switching current		2.1 A

### Schematics



Dot marks mean polarity

