

MD and MDP Key Switches



The disc contact type ED is a momentary key switch with short travel and good tactile feedback.

The ED is the main component of the MD and MDP switches.

MDP-Disc push-button key switch

Small momentary key switch equipped with button, can be mounted on printed circuit board.

MD-Disc push-button key switch

Small momentary key switch including a protective rubber actuator.

A wide range of keyboards can be built by using the MD.

MD and MDP key pads are available in two contact materials:

- gold plated bronze
- silver plated bronze

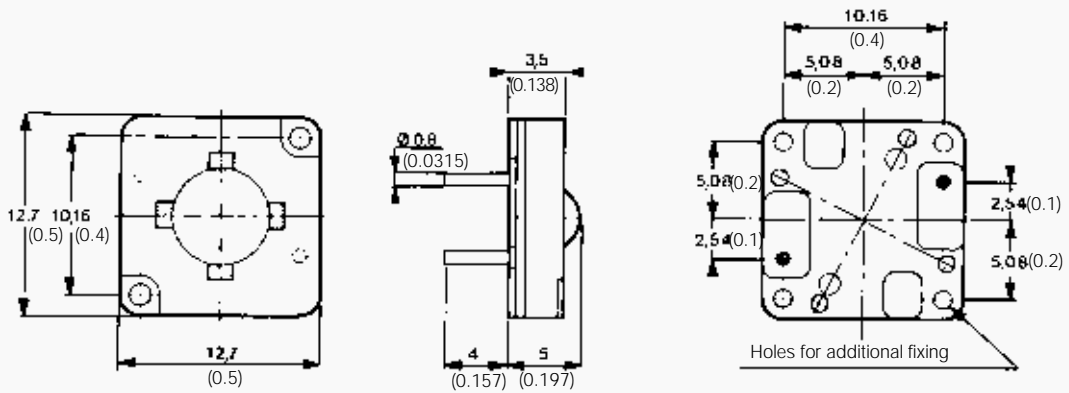
Construction		
Function	Momentary	
Contact arrangement	1 make contact = SPST	
Distance between button centers, min.	12.7 (0.500)	
Terminals	PC pins	
Electrical data		
	Silver	Gold
Switching power max.	6 W AC/DC	3 W AC/DC
Switching voltage max.	100 V AC/DC	100 V AC/DC
Switching current max.	100 mA AC/DC	50 mA AC/DC
Dielectric strength (50 Hz/1 Min.)	300 V	300 V
Operating life with max. switching power	MD $\cong 10^6$	MDP $\cong 5 \times 10^6$
Contact resistance, initial	$\cong 10 \text{ m}\Omega$	$\cong 15 \text{ m}\Omega$
Insulation resistance	$\cong 10^{11} \Omega$	$\cong 10^{11} \Omega$
Contact bounce	$\cong 100 \mu\text{s}$	$\cong 100 \mu\text{s}$
Mechanical data		
	MD	MDP
Switching travel	0.6 (0.0236)	0.3 (0.0118)
Operating force	2.6N \pm 25% (260 grams \pm 25%)	2.4N \pm 25% (240 grams \pm 25%)
Further data		
Contact material	Silver, Gold	
Operating temperature	- 25°C to + 70°C ¹⁾	
Storage temperature	- 40°C to + 85°C	
Climatic category (days)	10 for silver version 56 for gold version	
Soldering by static bath	255°C for 5 seconds	

¹⁾ Special design for ambient temperature - 40°C to + 85°C (Type MD40) available (not washable in solvents)
Note: MD40 disc keyswitch conforms to climatic category 40/85/56.

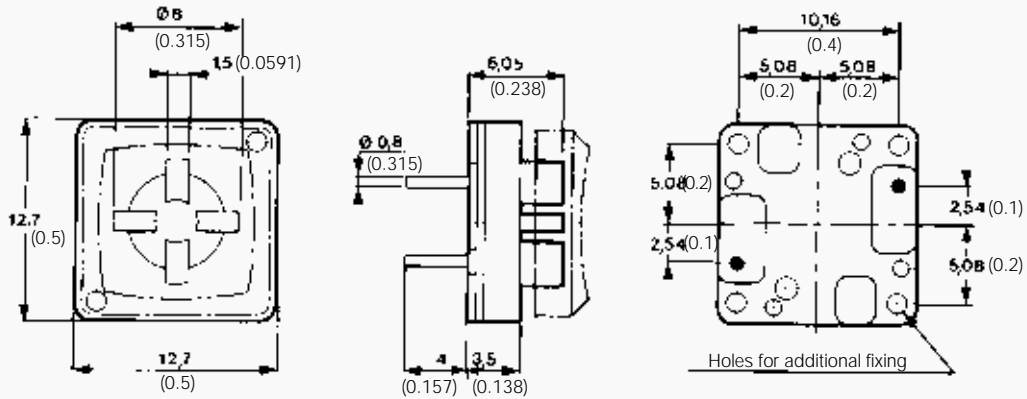
MD and MDP Key Switches

Dimensional Drawings

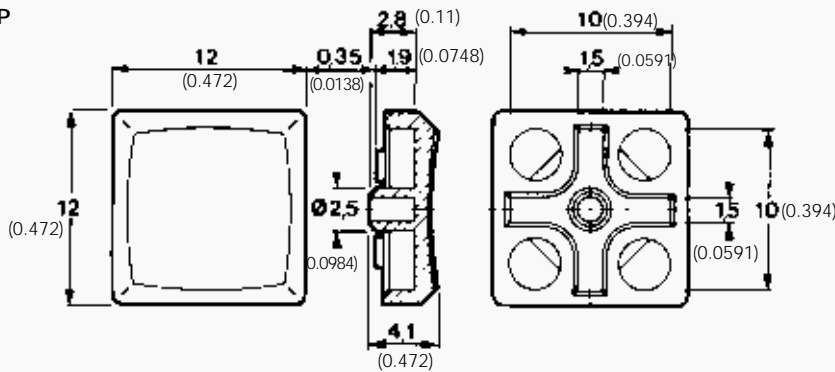
MD



MDP



Button MDP



Ordering code		1	2	3
		Example: MD AG 04		
1	Designation: MD, MDP, MD40	→	→	→
2	Contact material: AG = silver, AU = gold	→	→	→
3	MDP button color: 01 = black, 02 = white, 03 = red, 04 = light grey, 05 = dark grey, 07 = blue	→	→	→