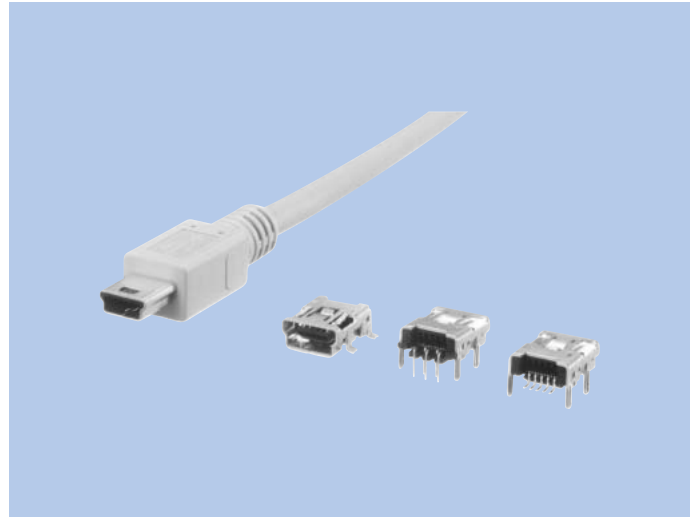


USB Series "Mini-B" Connectors

IAM-E45, CAM-E42F · E47F · E48F

FEATURES

1. Ultra-small size realized for 5 pins.
Compared to MITSUMI's conventional product
Volume : 1/10 (CAM-E42F · E47F · E48F)
Coupling projection area ratio : 1/5
(CAM-E42F · E47F · E48F)
2. Ideal for connections between PCs and small, thin PC peripherals, such as digital still cameras, portable music players, mobile phones, etc.).
3. Sequential mechanism that shifts contact timing for power supply and signal contact is used.
4. Couple/decouple reliability ensured for 5,000 times
5. Weight : 0.6g (CAM-E42F · E47F · E48F)
6. Supports USB 2.0



HOW TO ORDER

1. IAM-E45

E45-005-

1 2 3 4

- 1 Series No. (E45)
- 2 No. of contacts (005 : 5pins)
- 3 Product Specifications
- 4 Cable length (Standard)
A : 300mm, B : 500mm, C : 800mm
D : 1000mm, E : 1300mm, F : 1500mm

2. CAM-E42F

E42F-005-8904A

1 2 3

- 1 Series No. (E42F)
- 2 No. of contacts (005 : 5pins)
- 3 Product Specifications

3. CAM-E47F

E47F-005-8903A

1 2 3

- 1 Series No. (E47F)
- 2 No. of contacts (005 : 5pins)
- 3 Product Specifications

4. CAM-E48F

E48F-005-8902A

1 2 3

- 1 Series No. (E48F)
- 2 No. of contacts (005 : 5pins)
- 3 Product Specifications

SPECIFICATIONS

ELECTRICAL CHARACTERISTICS

| | |
|-----------------------|-------------------------|
| Rated Voltage | AC 5V (rms) |
| Rated Current | 1.0A |
| Withstanding Voltage | 100V AC (rms) 1minute |
| Insulation Resistance | 100MΩ min. (at 500V DC) |
| Contact Resistance | 50mΩ max. |

MECHANICAL CHARACTERISTICS

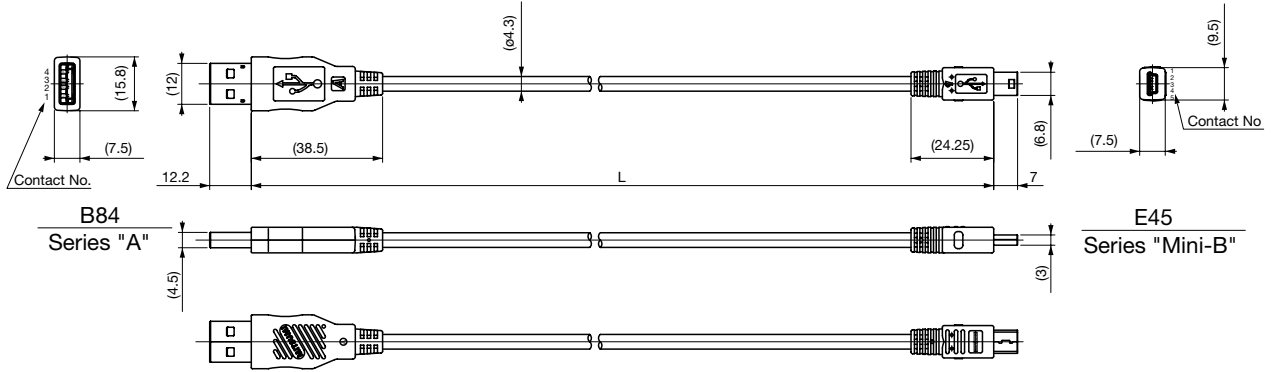
| | |
|------------------------|-------------------------------------|
| Life (Matching Cycle) | 5,000 times |
| Total Insertion Force | 35N (3.57kgf) max. |
| Total Withdrawal Force | Beginning 7N (0.71kgf) min. |
| | After 5,000 times 3N (0.31kgf) min. |

MATERIAL & FINISH

| Component parts | | Material | Finish |
|---------------------------|-------------|----------------|--|
| IAM-E45 | Housing | PBT resin | (Black) |
| | Contact | Copper alloy | Contact area: Gold |
| | Shield Case | Steel | Nickel plating |
| | Over mold | PVC resin | Optional |
| | Cable | PVC resin | Optional |
| CAM-E42F · E47F · E48F | Housing | Thermo plastic | (Black) |
| | Contact | Copper alloy | Contact area: Gold |
| | Shield Case | Copper alloy | Tin reflow plating (Gold plating is also available) |

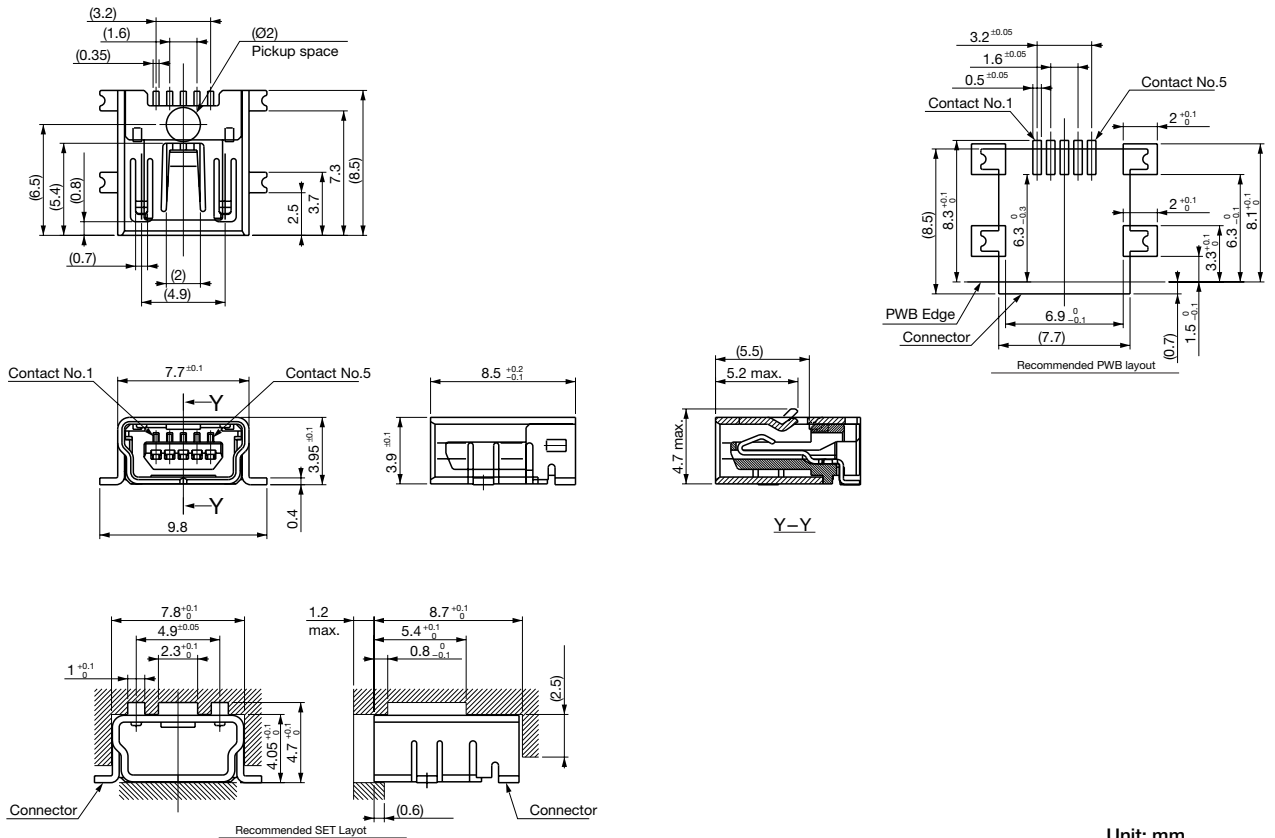
DIMENSIONS

IAM-E45



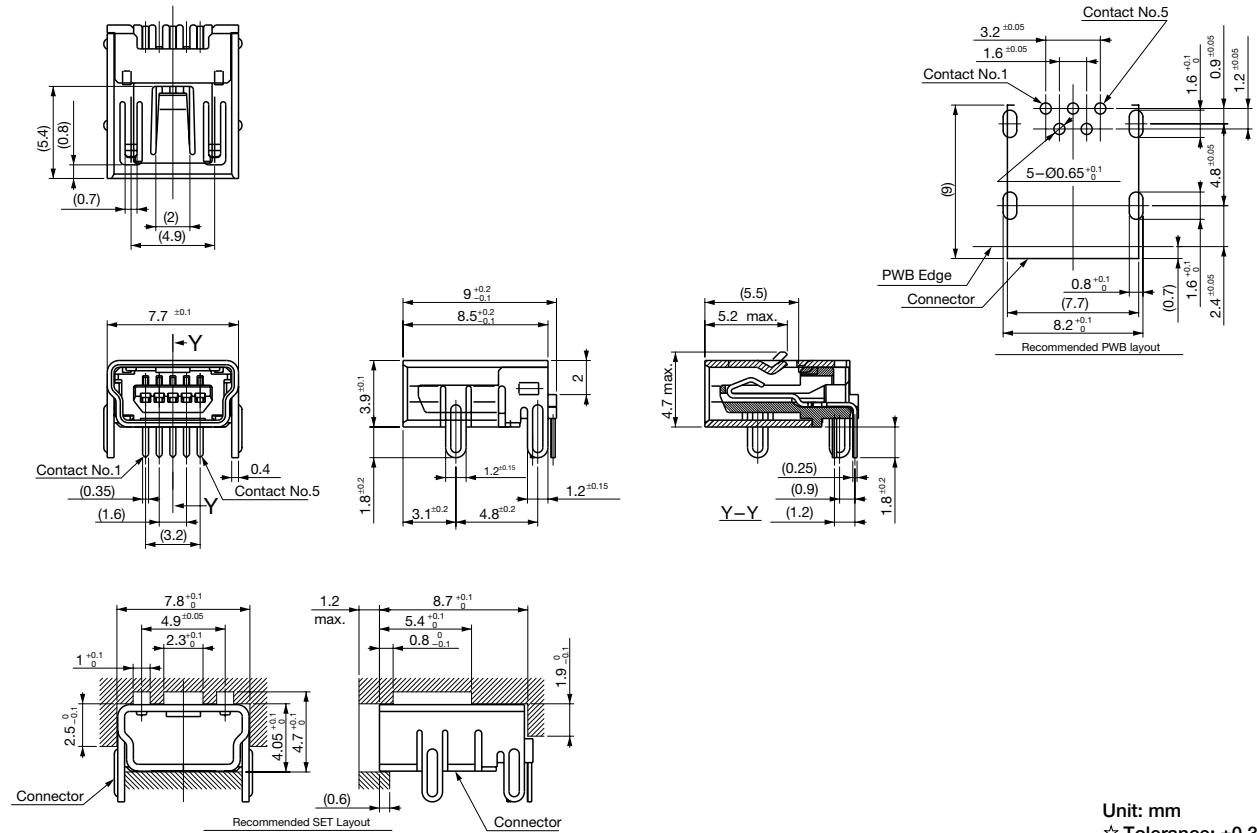
Unit: mm
 ☆ Tolerance: ±0.3

CAM-E42F



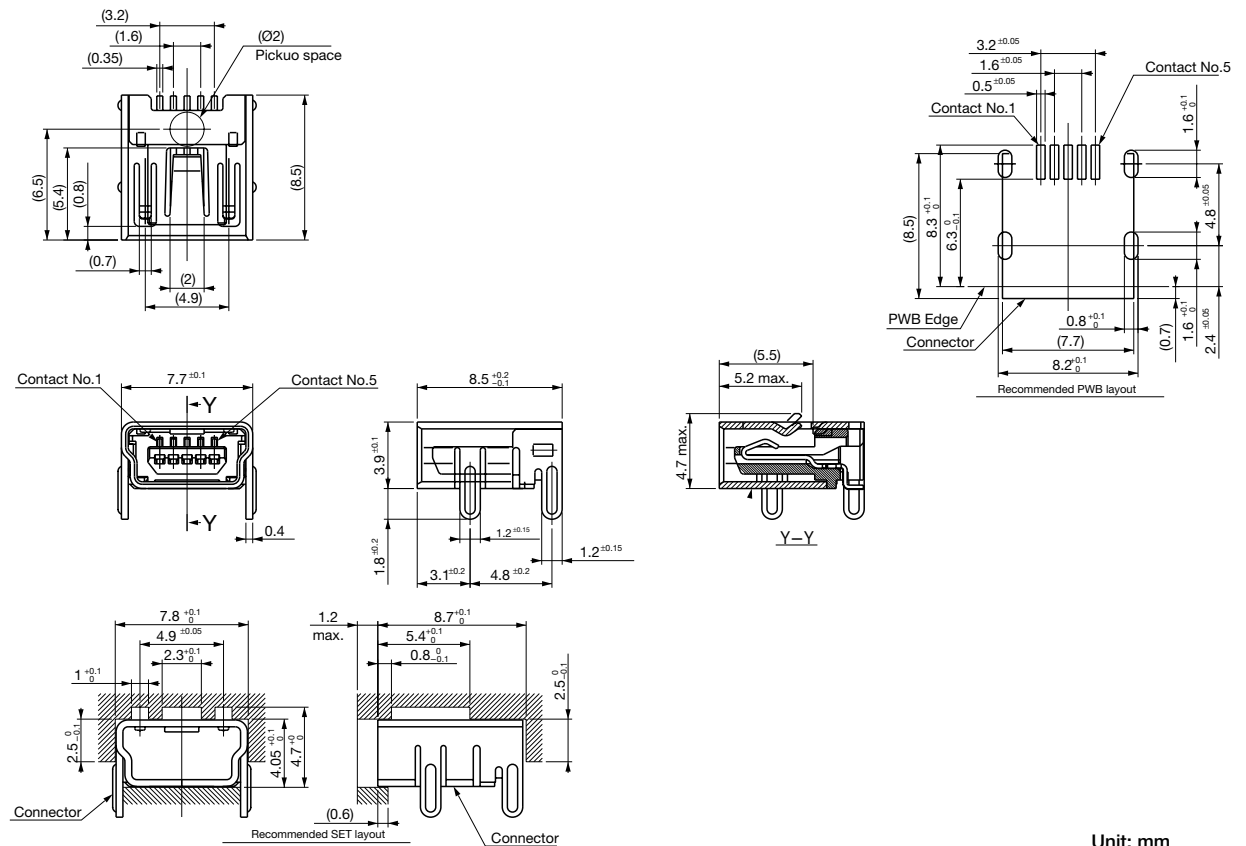
Unit: mm
 Tolerance: ±0.3

CAM-E47F



Unit: mm
 ☆ Tolerance: ±0.3

CAM-E48F



Unit: mm
 Tolerance: ±0.3