

**PLEASE CHECK WWW.MOLEX.COM FOR LATEST PART INFORMATION**

**Part Number:** [0850520103](#)  
**Status:** **Active**  
**Overview:** [din\\_41612](#)  
**Description:** 2.54mm (.100") Pitch DIN 41612 Receptacle, Style R Reverse, 64 Circuits

**Documents:**

[3D Model](#) [RoHS Certificate of Compliance \(PDF\)](#)  
[Drawing \(PDF\)](#)

**Agency Certification**

CSA LR19980  
 UL E29179

**General**

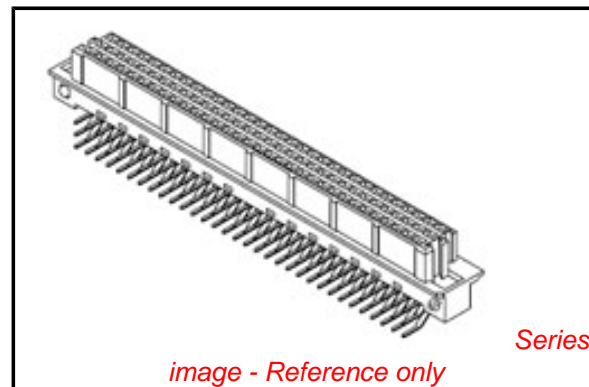
Product Family Backplane Connectors  
 Series [85052](#)  
 Application Backplane  
 Component Type PCB Receptacle  
 Overview [din\\_41612](#)  
 Product Name IEC 603-2/DIN 41612  
 Style R

**Physical**

Circuits (Loaded) 64  
 Circuits (maximum) 96  
 Durability (mating cycles max) 400  
 First Mate / Last Break No  
 Flammability 94V-0  
 Guide to Mating Part No  
 Keying to Mating Part Yes  
 Number of Columns 32  
 Number of Pairs Open Pin Field  
 Number of Rows 3  
 Orientation Right Angle  
 PC Tail Length (in) 0.110 In  
 PC Tail Length (mm) 2.80 mm  
 PCB Locator No  
 PCB Retention Yes  
 PCB Thickness Recommended (in) 0.063 In, 0.126 In  
 PCB Thickness Recommended (mm) 1.60 mm, 3.20 mm  
 Packaging Type Tray  
 Pitch - Mating Interface (in) 0.100 In  
 Pitch - Mating Interface (mm) 2.54 mm  
 Pitch - Term. Interface (in) 0.100 In  
 Pitch - Term. Interface (mm) 2.54 mm  
 Polarized to PCB Yes  
 Stackable No  
 Surface Mount Compatible (SMC) No  
 Temperature Range - Operating -55°C to +125°C  
 Termination Interface: Style Through Hole

**Electrical**

Current - Maximum per Contact 2.5A  
 Data Rate 622.0 Mbps  
 Real Signals (per 25mm) 30  
 Voltage - Maximum 250V AC (RMS)



*image - Reference only*

**EU RoHS**

**ELV and RoHS  
 Compliant**  
**REACH SVHC**  
 Not Reviewed  
**Halogen-Free  
 Status**  
**Not Reviewed**

**China RoHS**



**Need more information on product  
 environmental compliance?**

Email [productcompliance@molex.com](mailto:productcompliance@molex.com)  
 For a multiple part number RoHS Certificate of  
 Compliance, [click here](#)

Please visit the [Contact Us](#) section for any  
 non-product compliance questions.

**Search Parts in this Series**

[85052Series](#)

**Mates With**

DIN 41612 Headers [85003](#) , [85013](#)

**Solder Process Data**

Duration at Max. Process Temperature (seconds)	10
Lead-free Process Capability	Wave Capable (TH only)
Process Temperature max. C	260

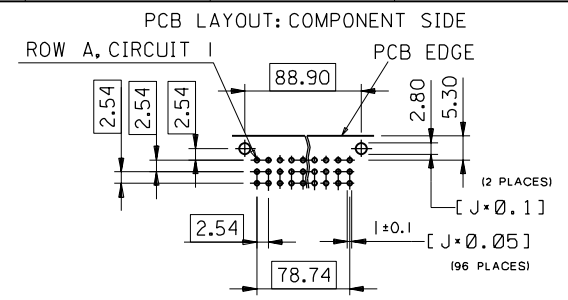
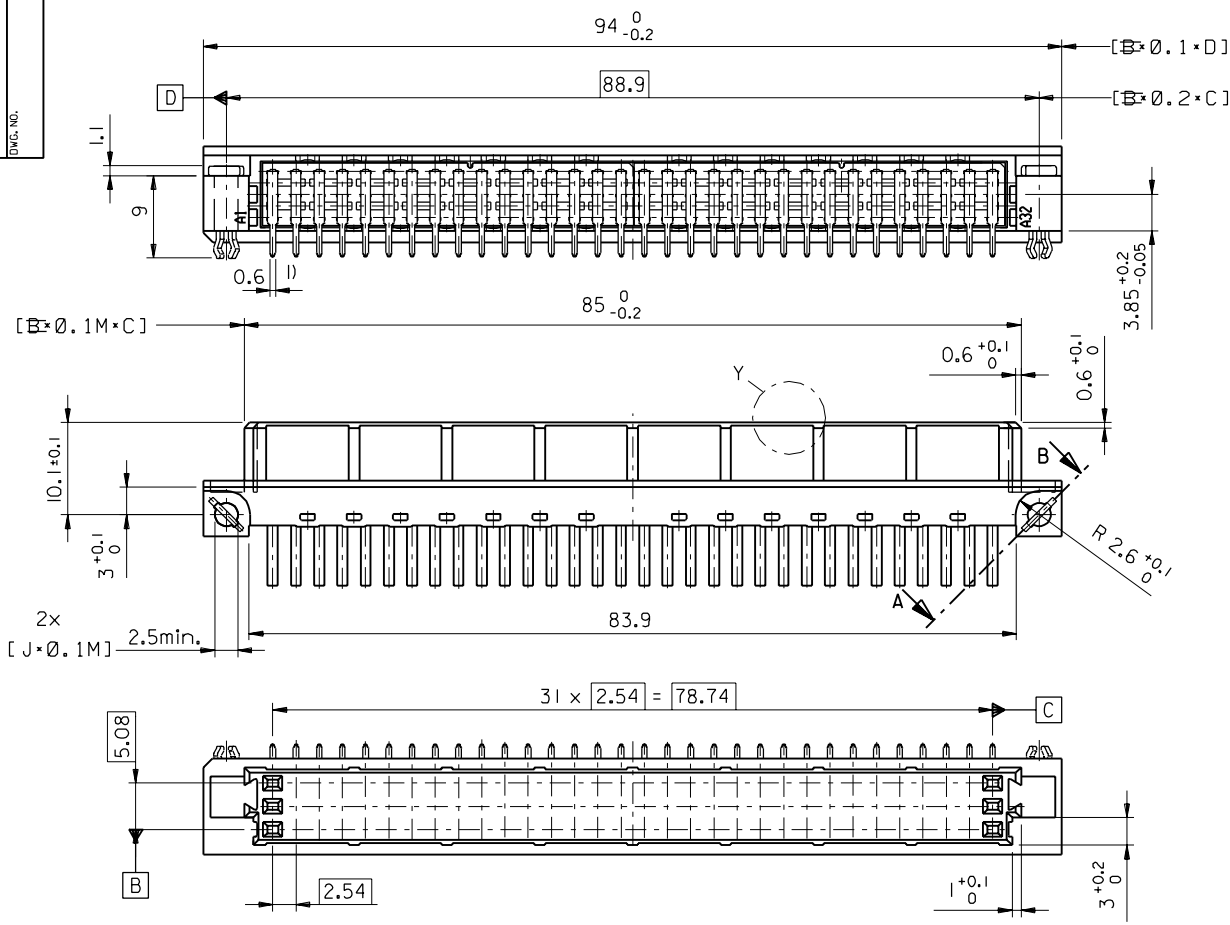
**Material Info****Reference - Drawing Numbers**

Sales Drawing	SDA-85052-0001, SDA-85052-0103
---------------	--------------------------------

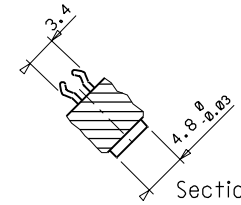
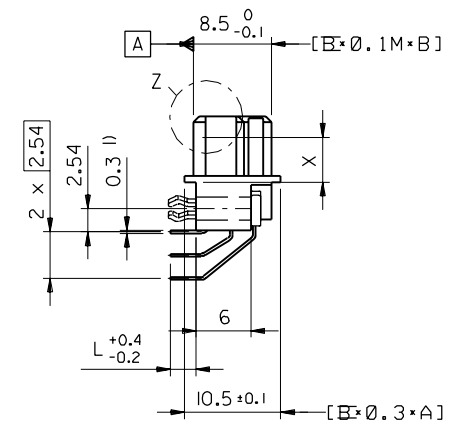
This document was generated on 05/17/2010

**PLEASE CHECK [WWW.MOLEX.COM](http://WWW.MOLEX.COM) FOR LATEST PART INFORMATION**

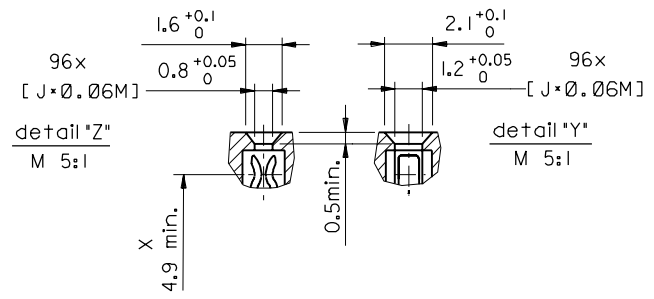
PART NO.  
DWG. NO.



1) tails to fit in PC-board layout



Section A - B



FIRST ANGLE PROJECTION		DRWG BY		SIGN	
INCH	METRIC	KN			
UNLESS OTHERWISE SPECIFIED TOLERANCES: ANGULAR ±2°		CHK'D BY	SIGN	CAD/CAM PROJECT NAME	
3 PLACE ±	±	Ca		85052000	THIS DRAWING CONTAINS INFORMATION THAT IS PROPRIETARY TO MOLEX INC. & SHOULD NOT BE USED WITHOUT WRITTEN PERMISSION
2 PLACE ±	±	APP'D BY	SIGN	611	
1 PLACE ±	±	JB		TITLE	
DRAFT WHERE APPLICABLE MUST REMAIN WITHIN DIMENSIONS		SCALE		96 pos. female connector DIN 41612 style R + clip Dimensions	
DESIGN DIMENSION	<input checked="" type="checkbox"/> MM			MOLEX EUROPE	
EQUIVALENT DIMENSION	<input type="checkbox"/> MM			SHEET NO. DATE	
	<input type="checkbox"/> IN.			1 OF 2 96/04/25	
IF TWO DIMENSIONS ARE SHOWN THE UPPER IS THE DESIGN DIMENSION, LOWER IS SECONDARY				PART NO.	
				SDA-85052-0001	

2	B1
SH.	REV.
REVISE ONLY ON CAD SYSTEM	
TITLE	
96 pos. female connector DIN 41612 style R + clip Dimensions	
MOLEX EUROPE	
SHEET NO. DATE	
1 OF 2 96/04/25	
PART NO.	
SDA-85052-0001	
DWG NO.	
SIZE	
B	

VIEW ON MATING SIDE

⊂	C	C	C	C	C	C	C	C	C	C	C	C	C	C	C	C	C	C	C	C
⊜																				
⊃	A	A	A	A	A	A	A	A	A	A	A	A	A	A	A	A	A	A	A	A

⊂ ⊃ ⊄ ⊅ ⊆ ⊇ ⊈ ⊉ ⊊ ⊋ ⊌ ⊍ ⊎ ⊏ ⊐ ⊑ ⊒ ⊓ ⊔ ⊕ ⊖ ⊗ ⊘ ⊙ ⊚ ⊛ ⊜ ⊝ ⊞ ⊟ ⊠ ⊡ ⊢ ⊣ ⊤ ⊥ ⊦ ⊧ ⊨ ⊩ ⊪ ⊫ ⊬ ⊭ ⊮ ⊯ ⊰ ⊱ ⊲ ⊳ ⊴ ⊵ ⊶ ⊷ ⊸ ⊹ ⊺ ⊻ ⊼ ⊽ ⊾ ⊿ ⊿

A = 32 CONTACTS L-2,8

C = 32 CONTACTS L-2,8

S = 64 TOTAL NUMBER OF CONTACTS

Marking	Standard
Performance level	G2/0 = Contact area level2 / Termination tin
Flux proof	no
Fixing clip	yes
Dimensions	SDA-85052-0001 sht.1
Technical Data	PS-85052-0001

C	G2/0	c1-32
A	G2/0	a1-32
Contact symbol	Perform. level	Contact position number

first release	see ECN No. 2154
LTR	REVISIONS
	FOR PREVIOUS REVISIONS SEE MRI LIST

UNLESS OTHERWISE SPECIFIED TOLERANCES: ANGULAR ± 2°  
 INCH METRIC  
 3 PLACE ± . ±  
 2 PLACE ± . ±  
 1 PLACE ± . ±  
 DRAFT WHERE APPLICABLE MUST REMAIN WITHIN DIMENSIONS  
 DESIGN DIMENSION  MM  IN.  
 EQUIVALENT DIMENSION  MM  IN.  
 IF TWO DIMENSIONS ARE SHOWN, THE UPPER IS THE DESIGN DIMENSION, LOWER IS SECONDARY

REVISIONS ONLY ON CAD SYSTEM		SH. REV.
CAD/CAM PROJECT NAME	THIS DRAWING CONTAINS PROPRIETARY TO MOLEX INC. & SHOULD NOT BE USED WITHOUT WRITTEN PERMISSION	
s8505201 s01		
TITLE		
96 pos. female connector		
acc. DIN 41612 style R		
contacts arrangement		
MOLEX EUROPE		SHEET NO. DATE
		1 OF 1 96/06/14
PART NO.		SIZE
85052-0103		SDA-85052-0103 A
DWG NO.		