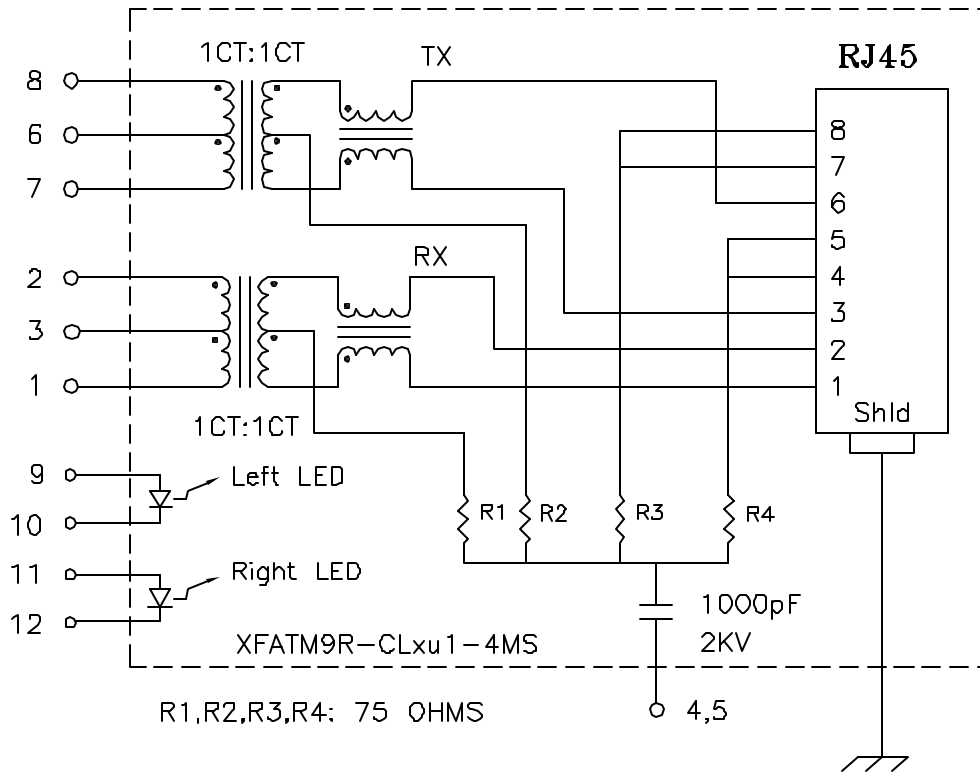


Schematic:



Electrical Specifications: @25°C

Isolation Voltage: 1500 Vrms (Input to Output)

Isolation Voltage: 500 Vrms (P1+2+3 to P6+7+8)

Turns Ratio: TX 1CT:1CT $\pm 3\%$ RX 1CT:1CT $\pm 3\%$

CABLE SIDE OCL: 350uH Minimum @100KHz 100mV 8mADC

Cw/w: 27pF Typical @100KHz 100mV

Insertion Loss (300KHz-100MHz): 1.0dB Max

Return Loss: @30MHz 18dB Minimum

@80MHz 12dB Minimum

CMRR: 1-50MHz -30dB Typ

50-150MHz -20dB Typ

Q: 18 Min @100KHz 0.1V

Complete the Comba P/N as follows:

Replace 'x' & 'u' in the part number with one of the LED color letters:

Y=Yellow

G=Green

A=Amber

R=Red

C=Green(1)/Amber(2) Bicolor

D=Amber(1)/Green(2) Bicolor

M=Green(1)/Yellow(2) Bicolor

N=Yellow(1)/Green(2) Bicolor

P=Red(1)/Green(2) Bicolor

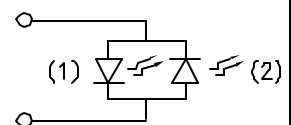
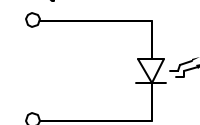
Q=Green(1)/Red(2) Bicolor

'x' = Left LED Color

'u' = Right LED Color

Single Color LED:

Bi-Color LED:



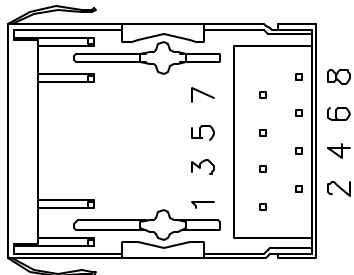
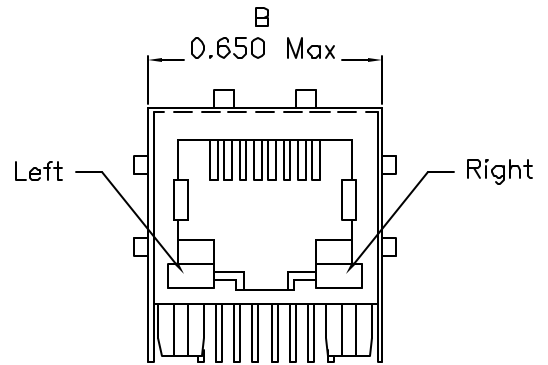
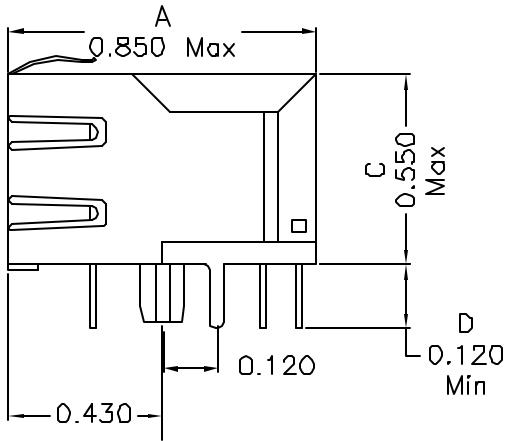
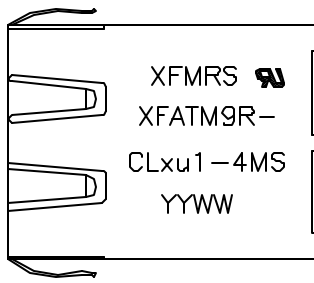
Notes:

- Solderability: Leads shall meet MIL-STD-202C, Method 208H for solderability.
- Flammability: UL94V-0
- ASTM oxygen Index: > 28%
- Insulation System: Class F 155°C, UL file E151556
- Operating Temperature Range: All listed parameters are to be within tolerance from -40°C to +85°C
- Storage Temperature Range: -55°C to +125°C
- Aqueous wash compatible
- Electrical and mechanical specifications 100% tested
- RoHS Compliant Component

DOC REV: A/2

XFMR'S Inc. UNLESS OTHERWISE SPECIFIED TOLERANCES: .xxx ± 0.010 Dimensions in Inch SHEET 1 OF 2	Title: SINGLE PORT COMBO		
	P/N: XFATM9R-CLxu1-4MS	REV. A	
	DWN.	Mei Chen	Mar-26-10
	CHK.	YK Liao	Mar-26-10
APP.	Joe Huff	Mar-26-10	

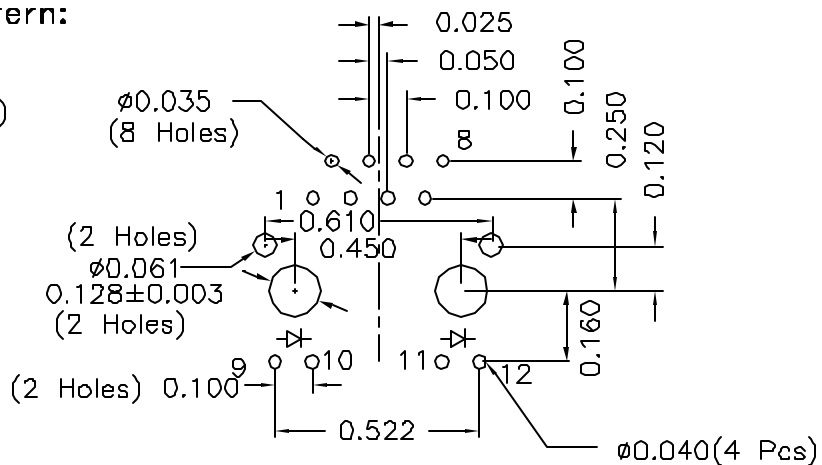
Mechanical Dimensions:



(BOTTOM VIEW)

Mounting Pattern:

(COMP SIDE)



XFMRs Inc.

Title: Mechanical Dimensions
For CLxu1-4MS Series

UNLESS OTHERWISE SPECIFIED
TOLERANCES:
.xxx ±0.010
Dimensions in Inch

P/N: XFATM9R-CLxu1-4MS

REV. A

DWN.

Mei Chen

Mar-26-10

CHK.

YK Liao

Mar-26-10

APP.

Joe Huff

Mar-26-10

DOC REV: A/2

SHEET 2 OF 2