



TAI-SAW TECHNOLOGY CO., LTD.

No. 3, Industrial 2nd Rd., Ping-Chen Industrial District,
Taoyuan, 324, Taiwan, R.O.C.

TEL: 886-3-4690038 FAX: 886-3-4697532

E-mail: tstsales@mail.taisaw.com Web: www.taisaw.com

Product Specifications Approval Sheet

Product Description: SAW Filter 455 MHz SMD 3.8x3.8 mm

TST Part No.: TA1087A

Customer Part No.: _____

Customer signature required
Company: _____
Division: _____
Approved by : _____
Date: _____

Checked by: _____ David Chang 張閱智

Approved by: _____ Francis Chen [Signature]

Date: _____ 2009/08/21

1. Customer signed back is required before TST can proceed with sample build and receive orders.
2. Orders received without customer signed back will be regarded as agreement on the specifications.
3. Any specifications changes must be approved upon by both parties and a new revision of specifications shall be released to reflect the changes.



TAI-SAW TECHNOLOGY CO., LTD.

No. 3, Industrial 2nd Rd., Ping-Chen Industrial District,
Taoyuan, 324, Taiwan, R.O.C.

TEL: 886-3-4690038 FAX: 886-3-4697532

E-mail: tstsales@mail.taisaw.com Web: www.taisaw.com

SAW Filter 455 MHz

MODEL NO.: TA1087A

REV. NO.:1

A. MAXIMUM RATING:

1. Input Power Level: 10 dBm
2. DC Voltage: 3 V
3. Operating Temperature: -40°C to +85°C
4. Storage Temperature: -40°C to +85°C

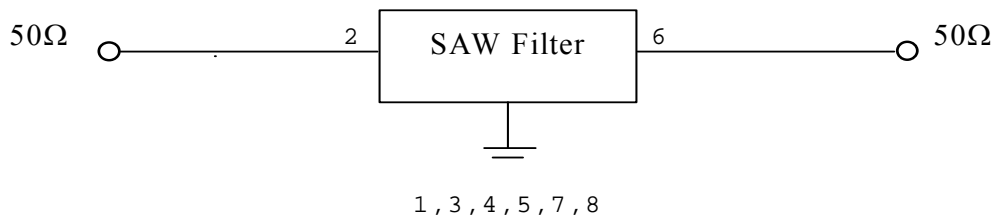
RoHS Compliant
Lead free
Lead-free soldering

B. ELECTRICAL CHARACTERISTICS:

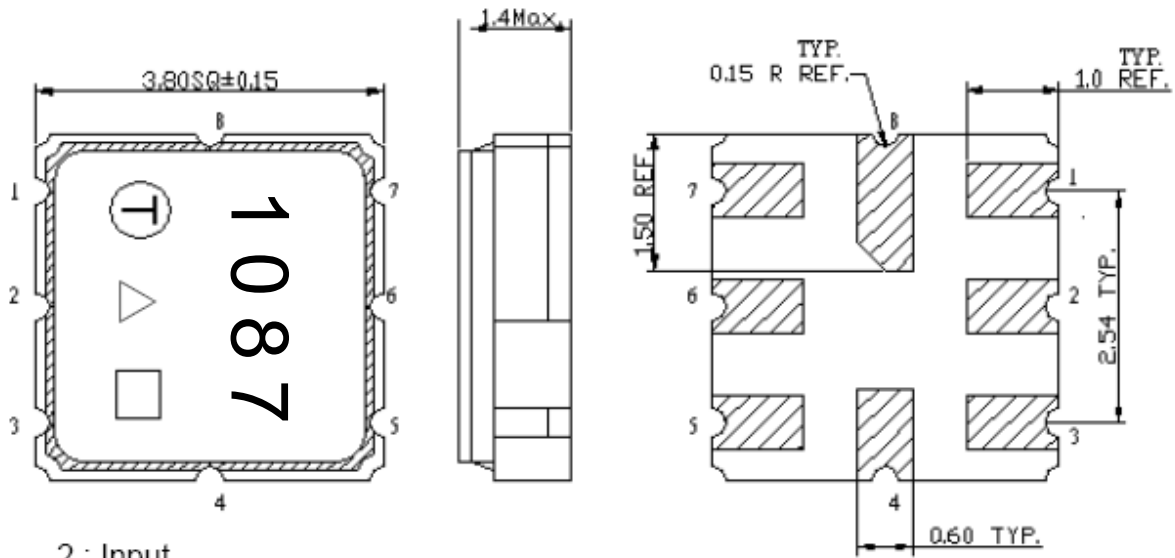
Item	Unit	Min.	Type.	Max.	
Center frequency	Fc	MHz	-	455	-
Insertion Loss (448~462 MHz)	IL	dB	-	2.1	3.5
Amplitude Ripple (448~462 MHz)		dB	-	0.8	1.6
Attenuation (Reference level from 0 dB)					
Fc-445 ~ Fc-44	MHz	dB	45	51	-
Fc-42.8	MHz	dB	45	50	-
Fc+45 ~ Fc+245	MHz	dB	45	48	-
Fc+245 ~ Fc+545	MHz	dB	35	40	-

C. MEASUREMENT CIRCUIT:

HP Network analyzer



D.OUTLINE DRAWING:

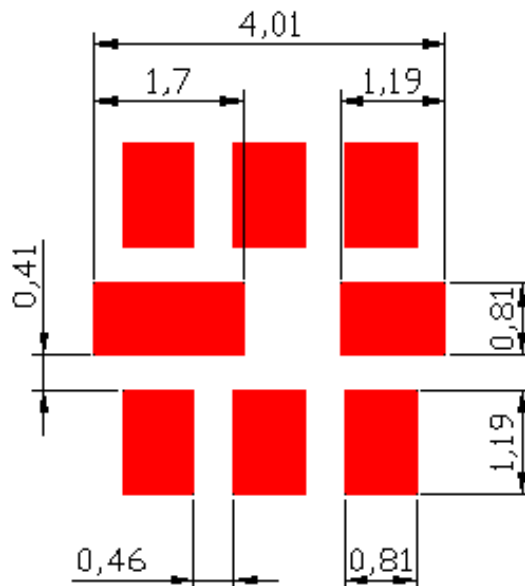


- 2 : Input
- 6: Output
- 1,3,4,5,7,8: Ground
- △ : Year Code
- : Date Code (W01->A, W02->B,...,W52->z)

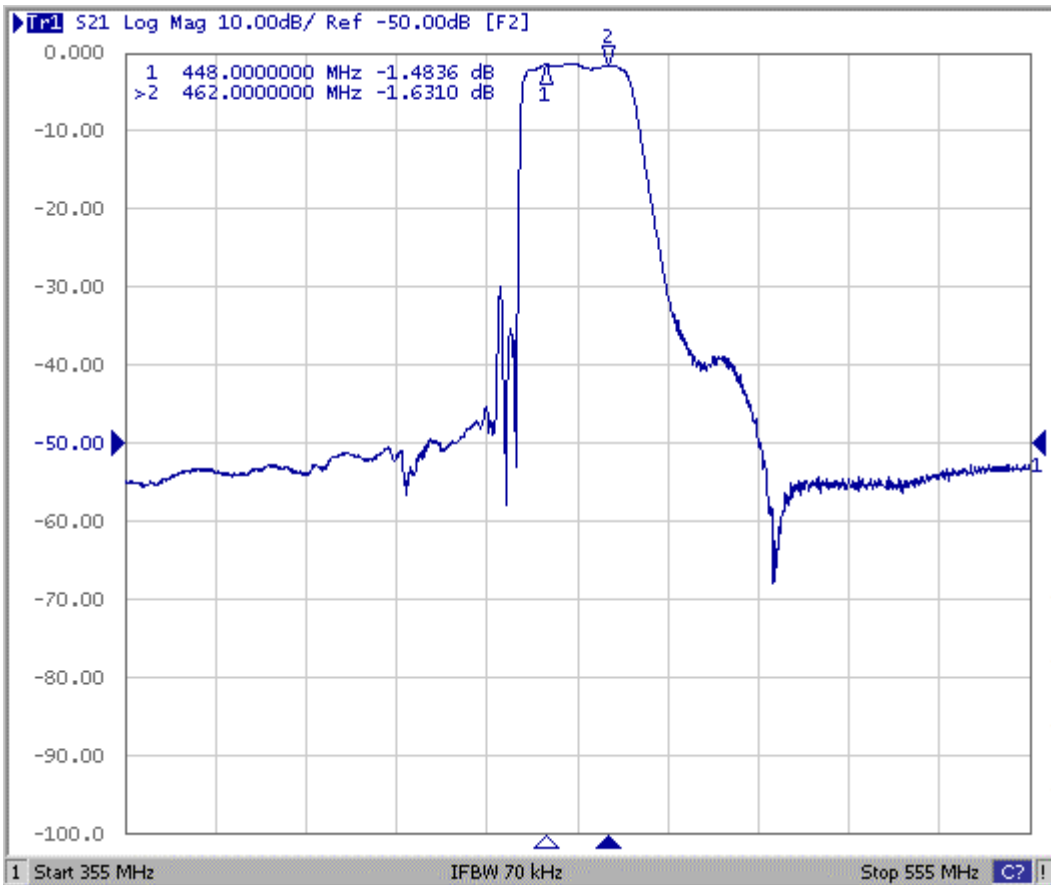
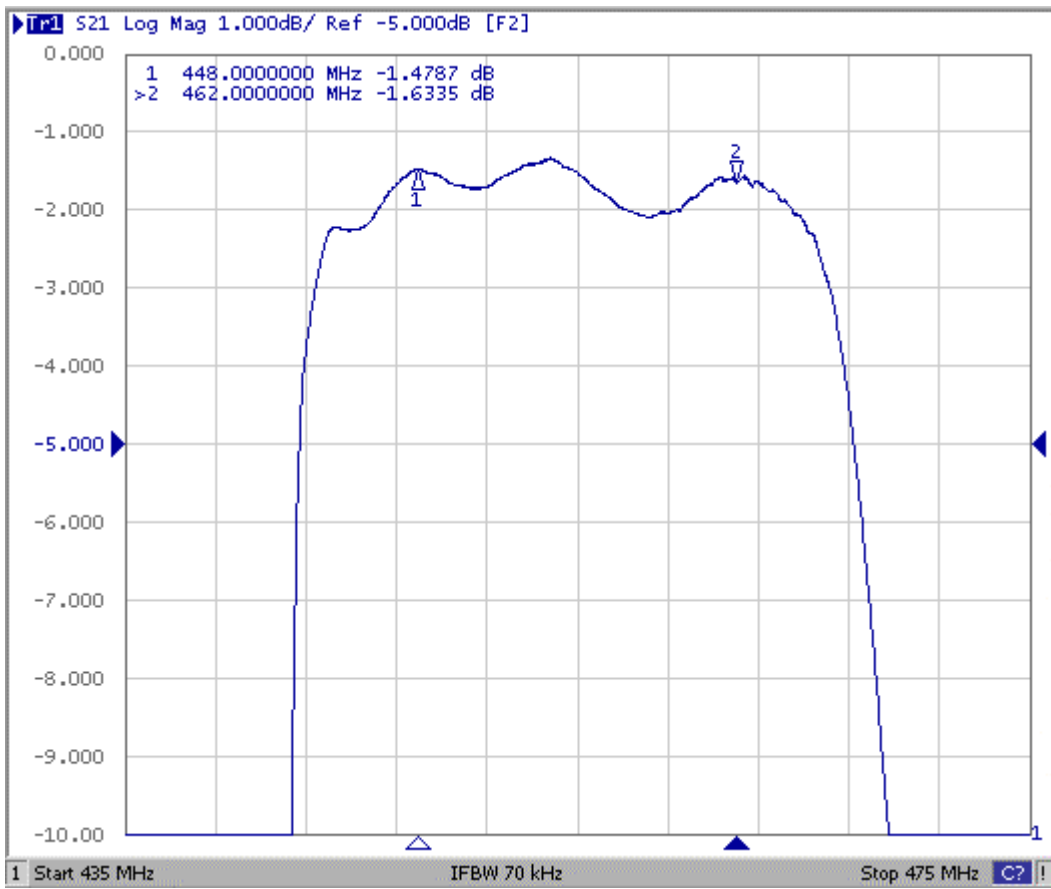
△ Product Year Code

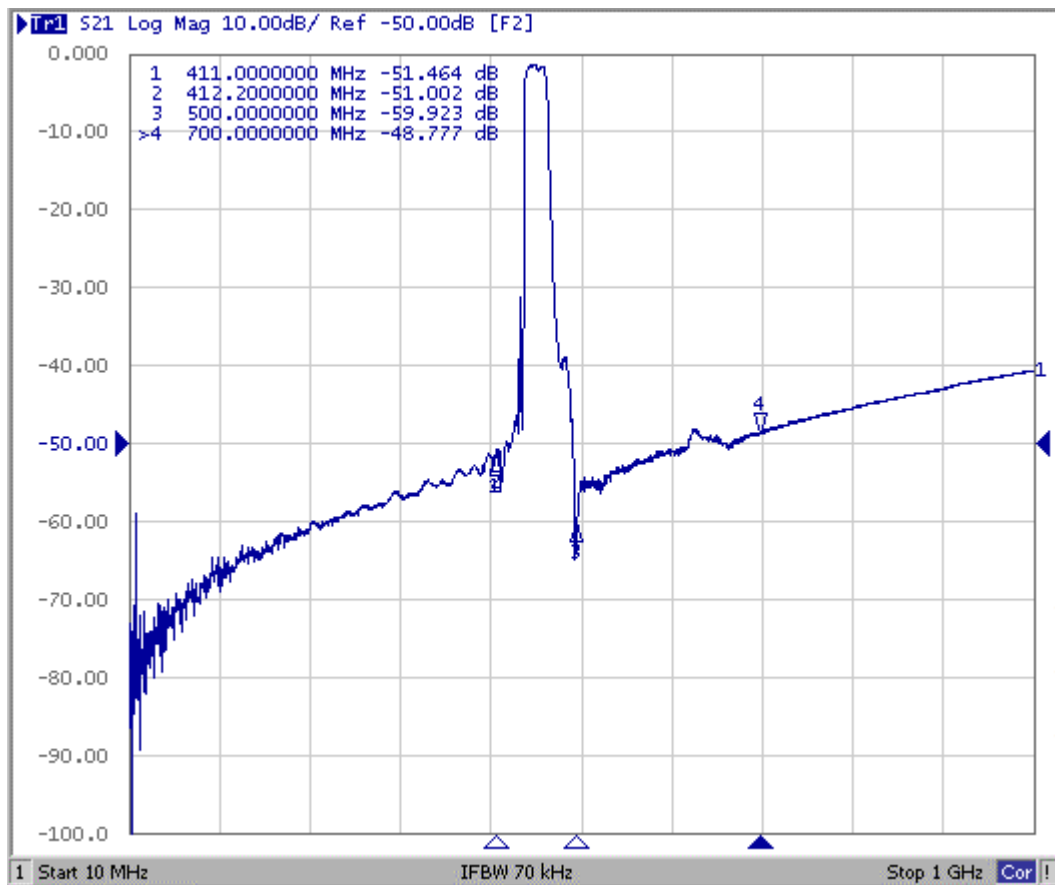
Year	2007	2008
	2009	2010
	2011	2012
Product Code	A	a

E. PCB Footprint:



F. Frequency Characteristics:





G. PACKING:

1. REEL DIMENSION

