

**PLEASE CHECK WWW.MOLEX.COM FOR LATEST PART INFORMATION**

**Part Number:** [1200661265](#)  
**Status:** **Active**  
**Overview:** [microchange m12 connectors](#)  
**Description:** Micro-Change® (M12) 4 Pole, Female (90°) to Male (Straight) Cordset, 4-22 AWG PVC Cable, 2.0M (6.56' )

**Documents:**

[Drawing \(PDF\)](#) [RoHS Certificate of Compliance \(PDF\)](#)

**Agency Certification**

CSA LR6837  
 UL E152210

**General**

Product Family Industrial Cordsets  
 Series [120066](#)  
 Connector End A Micro-Change® (M12)  
 Connector End B Micro-Change® (M12)  
 IP Rating IP68  
 NEMA Rating NEMA 6  
 Overview [microchange m12 connectors](#)  
 Product Name Micro-Change® (M12)  
 Type Double Ended

**Physical**

Cable Diameter 5.08mm (.200")  
 Cable Length 2.0m (6.56' )  
 Color - Cable Jacket Yellow  
 Coupling Style Threaded  
 Gender Female-Male  
 Keyway Single  
 LED Indicator No  
 Material - Cable Jacket PVC  
 Material - Connector Body PUR  
 Material - Contact Copper  
 Material - Coupling Nut Nickel-plated Brass  
 Material - O-Ring Viton  
 Material - Plating Mating Gold over Nickel  
 Orientation 90° to Straight  
 Poles 4  
 Temperature Range - Operating -20°C to +105°C  
 Wire Size AWG 22  
 Wire/Cable Type UL 2661

**Electrical**

Current - Maximum per Contact 4A  
 Voltage - Maximum 250V AC/DC

**Material Info**

Old Part Number 884031A09M020

**Reference - Drawing Numbers**

Sales Drawing SD-120066-013

**EU RoHS**  
**ELV and RoHS**  
**Compliant**  
**REACH SVHC**  
**Not Reviewed**  
**Halogen-Free**  
**Status**  
**Not Reviewed**

**China RoHS**



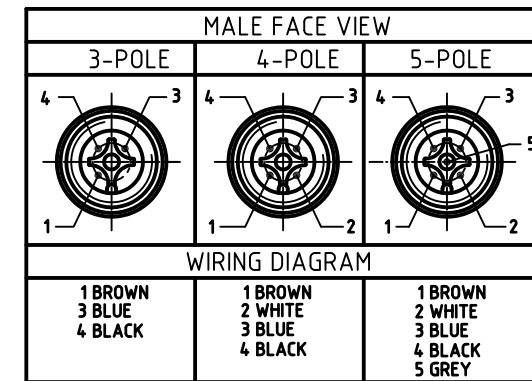
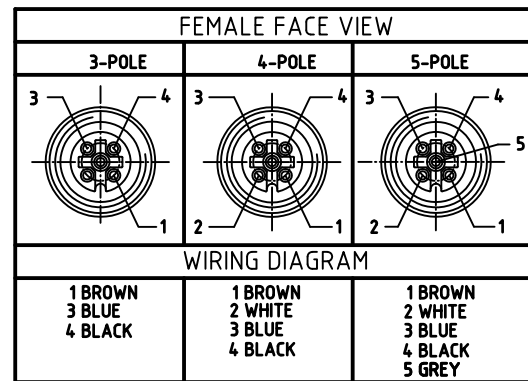
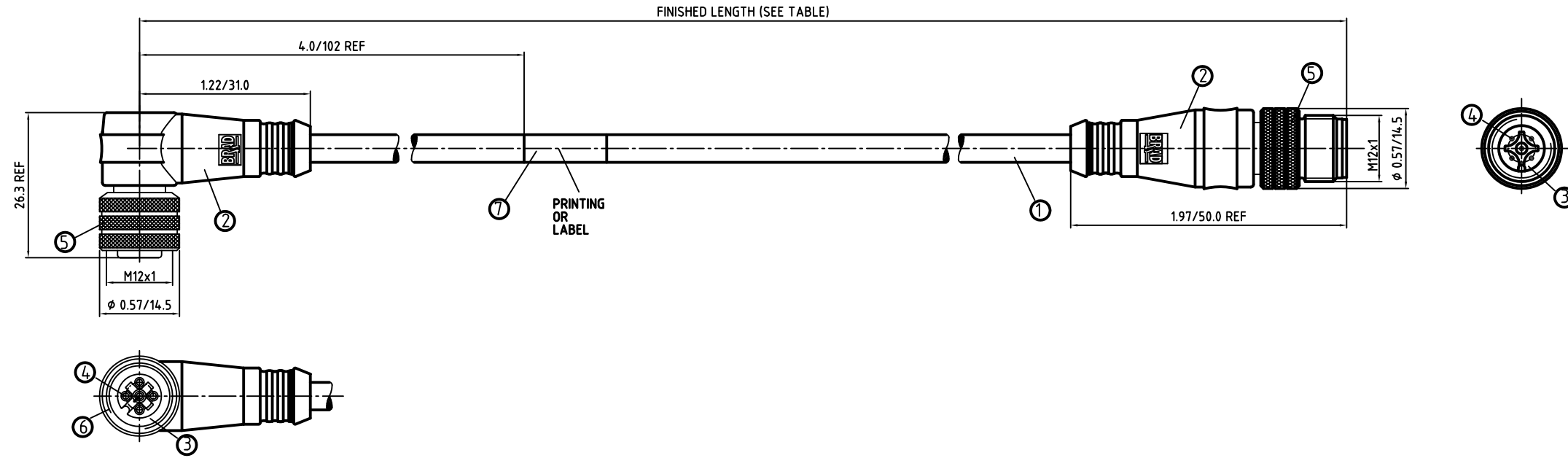
**Need more information on product environmental compliance?**

Email [productcompliance@molex.com](mailto:productcompliance@molex.com)  
 For a multiple part number RoHS Certificate of Compliance, [click here](#)

Please visit the [Contact Us](#) section for any non-product compliance questions.

**Search Parts in this Series**  
[120066Series](#)

**PLEASE CHECK [WWW.MOLEX.COM](http://WWW.MOLEX.COM) FOR LATEST PART INFORMATION**



**CONNECTOR SPECIFICATION:**

VOLTAGE RATING	250 VAC/VDC
AMPERAGE RATING	max. 4 AMPS
PROTECTION	IP67
OPERATING TEMPERATURE	-20°C TO 105°C
UL CERTIFICATIONS	UL RECOGNIZED, FILE NO. E152210
ASSEMBLY IS	RoHS COMPLIANT

ITEM	COMPONENT	MATERIAL	FINISH
6	LABLE	MYLAR	BLACK/YELLOW
5	COUPLER	BRASS	NICKEL PLATED
4	PIN CONTACT	COPPER ALLOY	GOLD OVER NICKEL
3	INSERT	NYLON	BLACK
2	OVERMOLD	POLYURETHANE (PUR)	YELLOW
1	CABLE- 22/3-5 (COPPER STRANDING) 3/4/5 CONDUCT. 300V	JACKET: PVC	JACKET: YELLOW

DESCRIPTION EC NO: WEU2010-0288 DRWN: LSTEMMLE 2010/01/25 CHKD: NS APPR: NSTAUDIG 2010/01/29	QUALITY SYMBOLS ▽ = 0 ▽/C = 0	GENERAL TOLERANCES (UNLESS SPECIFIED)		DIMENSION STYLE IN/MM		SCALE 2:1	DESIGN UNITS METRIC	THIRD ANGLE PROJECTION	
		4 PLACES	±---	±---	DRAWN BY LSTEMMLE	DATE 2010/01/25	MICRO-CHANGE CORDSET 3/4/5 P. FE 90 / MA STR 22/3-5 YELLOW PVC CABLE		
		3 PLACES	±---	±---	CHECKED BY RE	DATE 2010/01/26			
		2 PLACES	±---	±.01	APPROVED BY NSTAUDIG	DATE 2010/01/29	MOLEX INCORPORATED DOCUMENT NO. SD-120066-013 SHEET NO. 1 OF 1		
1 PLACE	±0.3	±---	SEE TABLE SHEET 2						
DRAFT WHERE APPLICABLE MUST REMAIN WITHIN DIMENSIONS		SIZE A3	THIS DRAWING CONTAINS INFORMATION THAT IS PROPRIETARY TO MOLEX INCORPORATED AND SHOULD NOT BE USED WITHOUT WRITTEN PERMISSION						

POL	MATERIAL NUMBER	ENGINEERING NUMBER	FINISHED LENGTH
3	1200661137	883031A09M010	1.0M +55.6 -0 [3.28' +2.19" -0]

POL	MATERIAL NUMBER	ENGINEERING NUMBER	FINISHED LENGTH
4	1200661262	884031A09M010	1.0M +55.6 -0 [3.28' +2.19" -0]
4	1200661263	884031A09M012	1.2M +55.6 -0 [4.04' +2.19" -0]
4	1200661264	884031A09M015	1.5M +55.6 -0 [4.91' +2.19" -0]
4	1200661265	884031A09M020	2.0M +88.9 -0 [6.56' +3.50" -0]
4	1200661267	884031A09M022	2.2M +88.9 -0 [7.23' +3.50" -0]
4	1200661268	884031A09M030	3.0M +88.9 -0 [9.84' +3.50" -0]
4	1200661269	884031A09M035	3.5M +165.1 -0 [10.02' +6.50" -0]
4	1200661270	884031A09M040	4.0M +165.1 -0 [13.12' +6.50" -0]
4	1200661272	884031A09M045	4.5M +165.1 -0 [14.76' +6.50" -0]
4	1200661273	884031A09M050	5.0M +165.1 -0 [16.40' +6.50" -0]

POL	MATERIAL NUMBER	ENGINEERING NUMBER	FINISHED LENGTH
5	1200661389	885031A09M010	1.0M +55.6 -0 [3.28' +2.19" -0]

DESCRIPTION EC NO.: WEU2010-0288 DRWN: LSTEMMLE 2010/01/25 CHKD: NS APPR: NSTAUDIG 2010/01/29	DESCRIPTION REV	QUALITY SYMBOLS ▽ = 0 ▽ = 0	GENERAL TOLERANCES (UNLESS SPECIFIED)		DIMENSION STYLE IN/MM		SCALE 2:1	DESIGN UNITS METRIC	THIRD ANGLE PROJECTION		
		4 PLACES ±--- ±--- 3 PLACES ±--- ±--- 2 PLACES ±--- ±.01 1 PLACE ±0.3 ±--- ANGULAR ± --- °		mm INCH		DRAWN BY DATE LSTEMMLE 2010/01/25		MICRO-CHANGE CORDSET 3/4/5 P. FE 90 / MA STR 22/3-5 YELLOW PVC CABLE			
		DRAFT WHERE APPLICABLE MUST REMAIN WITHIN DIMENSIONS		SEE TABLE		CHECKED BY DATE RE 2010/01/26					
		1		MATERIAL NO.		DOCUMENT NO.		SHEET NO.		SD-120066-013 1 OF 1	
SIZE A3		THIS DRAWING CONTAINS INFORMATION THAT IS PROPRIETARY TO MOLEX INCORPORATED AND SHOULD NOT BE USED WITHOUT WRITTEN PERMISSION									