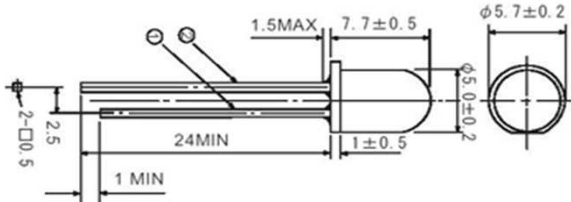


Product Data Sheet

LED Lamp UV

MT5365-UV

Radiation	Type	Case
Ultra violet	resin mold packaged	5mm plastic lens

Description:	
	<p>Dimension in mm High power, high-speed, narrow beam angle, high reliability</p>

Maximum Ratings

$T_{amb} = 25^{\circ}\text{C}$, unless otherwise specified

Parameter	Test Conditions	Symbol	Value	Unit
Forward Current		I_F	25	mA
Peak forward current	(d. c. < 1/10, p. width < 0.1msec)	I_{FM}	100	mA
Reverse voltage	$I_R = 100 \mu\text{A}$	I_R	85	mA
Power dissipation		P_D	100	mW
Operating temp. range		T_{amb}	-30 to +80	$^{\circ}\text{C}$
Storage temp. range		T_{stg}	-30 to +85	$^{\circ}\text{C}$
Lead soldering temp.	< 5s, 3mm from case	T_{slg}	260	$^{\circ}\text{C}$

Optical and Electrical Characteristics

$T_{amb} = 25^{\circ}\text{C}$, unless otherwise specified

Parameter	Symbol	Conditions	Min	typ	max	Unit
Forward voltage	V_F	$I_F = 20\text{mA}$	3.0	3.6	4.2	V
Radiant Power	Φ_e	$I_F = 20\text{mA}$		6		mW
Peak wavelength	λ_p	$I_F = 20\text{mA}$	363		370	nm
Viewing angle	φ	$I_F = 20\text{mA}$		15		deg.
Spectral bandwidth at 50%	$\Delta\lambda_{0.5}$	$I_F = 20\text{mA}$		15		nm