

JYGC0128

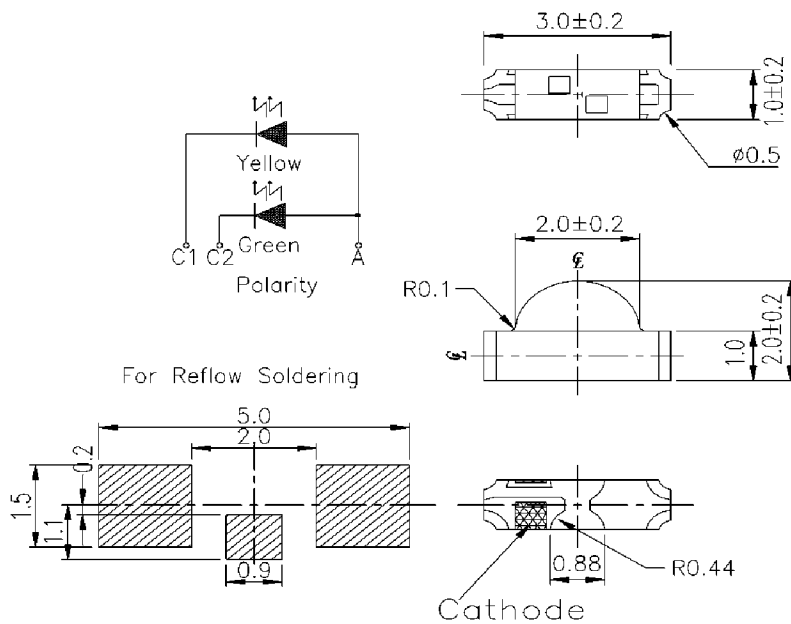
Page 1 of 2



This is a right-angle bi-color miniature chip type. It can be used for backlighting or as a through the panel indicator.



RoHS Compliant
Aug 2004



PART NO.	Chip		Lens Color
	Material	Emitted Color	
JYGC0128	AlGaInP	Super Yellow	Water Clear
	AlGaInP	Super Yellow Green	

* Specifications subject to change without notice. Dimensions are in mm±0.1 unless stated otherwise.

Absolute Maximum Ratings at $T_a = 25\text{ }^\circ\text{C}$

Parameter	Symbol	Rating	Units
Forward Current	I_F	UY 25	mA
		SYG 25	
Operating Temperature	T_{opr}	-40 to +85	$^\circ\text{C}$
Storage Temperature	T_{stg}	-40 to +90	$^\circ\text{C}$
Soldering Temperature	T_{sol}	260 (for 5 seconds)	$^\circ\text{C}$
Power Dissipation	P_d	UY 60	mW
		SYG 60	
Peak Forward Current (Duty 1/10 @ 1KHz)	I_F (Peak)	UY 160	mA
		SYG 160	
Reverse Voltage	V_R	5	V

Electronic Optical Characteristics

Parameter	Symbol	Min.	Typ.	Max.	Units	Condition
Luminous Intensity	I_V	UY	—	3	mcd	$I_F = 2\text{ mA}$
		SYG	—	1		
Luminous Intensity	I_V	UY	18	38	mcd	$I_F = 20\text{ mA}$
		SYG	13	19		
Viewing Angle	$2\theta_{1/2}$	—	120	—	deg	$I_F = 20\text{ mA}$
Peak Wavelength	λ_p	UY	—	591	nm	$I_F = 20\text{ mA}$
		SYG	—	575		
Dominant Wavelength	λ_d	UY	—	589	nm	$I_F = 20\text{ mA}$
		SYG	—	573		
Spectrum Radiation Bandwidth	$\Delta\lambda$	UY	—	15	nm	$I_F = 20\text{ mA}$
		SYG	—	20		
Forward Voltage	V_F	UY	—	2.0	V	$I_F = 20\text{ mA}$
		SYG	—	2.0		
Reverse Current	I_R	—	—	10	μA	$V_R = 5\text{ V}$

* Specifications subject to change without notice. Dimensions are in mm±0.1 unless stated otherwise.