

2A Ultra Low-Dropout Linear Regulator

DESCRIPTION

The EUP7962 is a 2A low-dropout linear regulator that provides a low voltage, high current output with a minimum of external components. It offers high precision, ultra-low dropout, and low ground current.

The EUP7962 operates from an input of 2.5V to 5.5V. This regulator uses small, 2.2 μ F ceramic input capacitors and 10 μ F ceramic output capacitors to deliver 2A output current. High bandwidth provides excellent transient response. It is designed to drive digital circuits requiring low voltage at high currents (i.e., PLDs, DSPs, microcontrollers, etc.).

Other features include thermal and current limit protection, a logic-control shutdown mode and an error flag output that goes low when the output voltage drops 10% below nominal value.

It is available in fixed output voltages of 1.5V, 1.8V, 2.5V, 3.3V and as an adjustable device with a 0.8V reference voltage. The adjustable output voltage can be set from 0.8V to 4.5V.

FEATURES

- 2A Guaranteed Output Current
- 600mV Dropout Voltage at 2A Output
- Stable with Ceramic Capacitors
- $\pm 1.8\%$ Output Voltage Accuracy
- 1mA Low-Ground Pin Current
- 0.1 μ A Quiescent Current in Shutdown Mode
- Excellent Line and Load Regulation
- Thermal Shutdown and Current Limit Protection
- Error Flag Indication
- Available in To-263, To-220 and SOP-8 (FD) Packages
- RoHS Compliant and 100% Lead (Pb)-Free

APPLICATIONS

- LDO Linear Regulator for Low-Voltage Digital IC
- PC Add-In Cards
- High Efficiency Linear Power Supplies
- Post Regulator

Typical Application Circuit

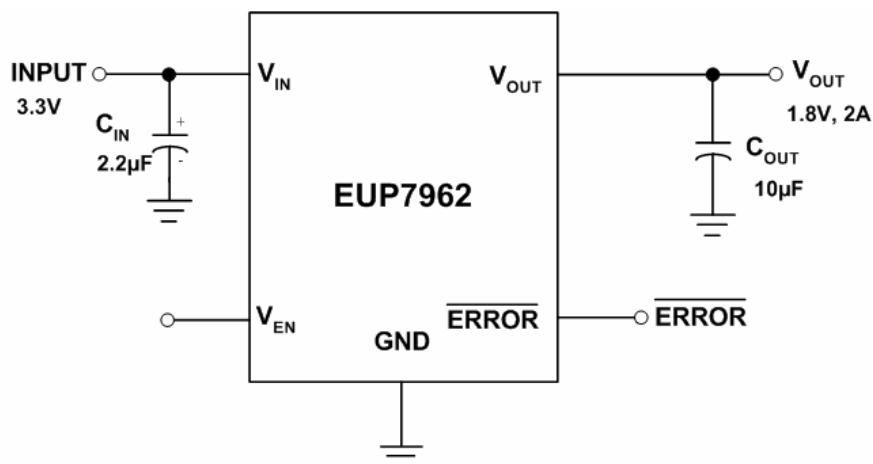


Figure1.

Block Diagram

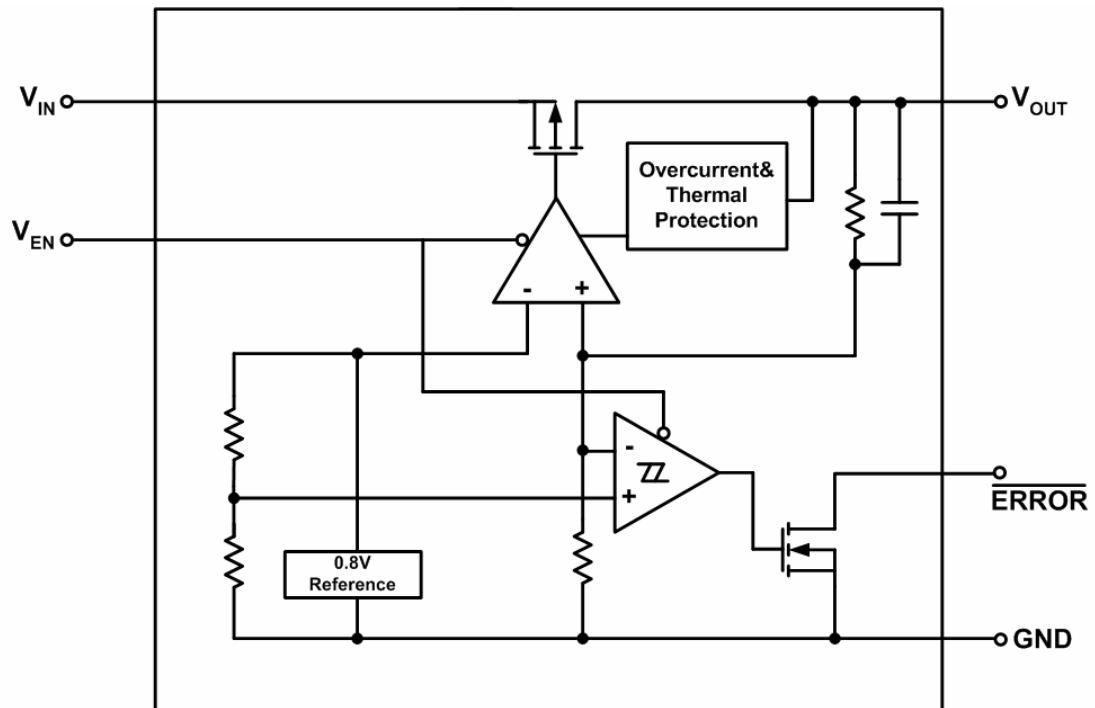


Figure2.

Pin Configurations

Package Type	Pin Configurations
TO220-3 TO220-5	
TO263-3 TO263-5	
SOP-8 (FD) * Thermal Pad	

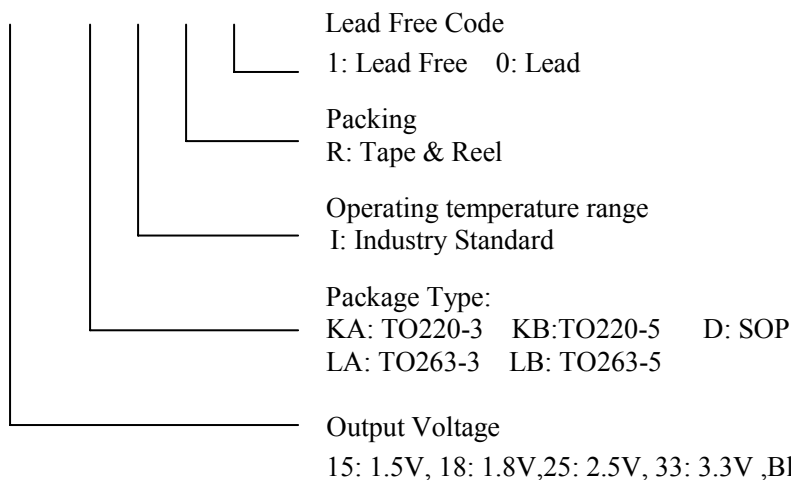
Pin Description

PIN	TO220-5 TO263-5	TO220-3 TO263-3	SOP-8 (FD)	DESCRIPTION
V _{EN}	1	-	-	Enable Input. Logic high=enable, Logic low=shutdown
V _{IN}	2	1	3	Input Voltage of the LDO
GND	3	2	8	Ground: TAB is connected to ground
V _{OUT}	4	3	6	Output voltage of the LDO
$\overline{\text{ERROR}}$	5	-	-	$\overline{\text{ERROR}}$ Flag Output. Active-low indicated an output fault condition
ADJ			7	Adjustable Regulator Feedback Input. Connect to resistor voltage divider
SD	-	-	2	Shutdown terminal
NC	-	-	1,4,5	No internal connection

Ordering Information

Order Number	Package Type	Marking	Operating Temperature range
EUP7962-15KAIR1	TO220-3	Uxxxxx P7962C	-40 °C to 125°C
EUP7962-18KAIR1	TO220-3	Uxxxxx P7962D	-40 °C to 125°C
EUP7962-25KAIR1	TO220-3	Uxxxxx P7962B	-40 °C to 125°C
EUP7962-33KAIR1	TO220-3	Uxxxxx P7962H	-40 °C to 125°C
EUP7962-15KBIR1	TO220-5	Uxxxxx P7962C	-40 °C to 125°C
EUP7962-18KBIR1	TO220-5	Uxxxxx P7962D	-40 °C to 125°C
EUP7962-25KBIR1	TO220-5	Uxxxxx P7962B	-40 °C to 125°C
EUP7962-33KBIR1	TO220-5	Uxxxxx P7962H	-40 °C to 125°C
EUP7962KBIR1	TO220-5	Uxxxxx P7962A	-40 °C to 125°C
EUP7962-15LAIR1	TO263-3	Uxxxxx EUP7962C	-40 °C to 125°C
EUP7962-18LAIR1	TO263-3	Uxxxxx EUP7962D	-40 °C to 125°C
EUP7962-25LAIR1	TO263-3	Uxxxxx EUP7962B	-40 °C to 125°C
EUP7962-33LAIR1	TO263-3	Uxxxxx EUP7962H	-40 °C to 125°C
EUP7962-15LBIR1	TO263-5	Uxxxxx EUP7962C	-40 °C to 125°C
EUP7962-18LBIR1	TO263-5	Uxxxxx EUP7962D	-40 °C to 125°C
EUP7962-25LBIR1	TO263-5	Uxxxxx EUP7962B	-40 °C to 125°C
EUP7962-33LBIR1	TO263-5	Uxxxxx EUP7962H	-40 °C to 125°C
EUP7962LBIR1	TO263-5	Uxxxxx EUP7962A	-40 °C to 125°C
EUP7962DIR1	SOP-8	Uxxxxx EUP7962 A	-40 °C to 125°C

EUP7962-



Absolute Maximum Ratings

- Supply Voltage V_{IN} ----- 5.5V
- Package Thermal Resistance
 - TO-263, θ_{JA} ----- 45°C/W
 - TO-220, θ_{JA} ----- 55°C/W
 - SOP-8 (FD), θ_{JA} ----- 42.3°C/W
- Power Dissipation, $P_{D@TA=25^{\circ}C}$
 - TO-263 ----- 2.2W
 - TO-220 ----- 1.8W
 - SOP-8 (FD) ----- 0.8W
- Junction Temperature ----- 150°C
- Storage Temperature ----- -65°C to +150°C
- Lead Temp ----- 260°C
- ESD Rating
 - Human Body Model ----- 2kV

Operating Ratings

- Supply Voltage V_{IN} ----- 2.5 to 5.5V
- Enable Input Voltage ----- 0V to 5.5V
- Junction Temperature ----- -40°C to +125°C

Electrical Characteristics

Limits in standard typeface are for $T_J=25^{\circ}C$. Unless otherwise specified: $V_{IN}=V_{OUT(nom)}+1V$, $I_L=10mA$, $C_{OUT}=10\mu F$

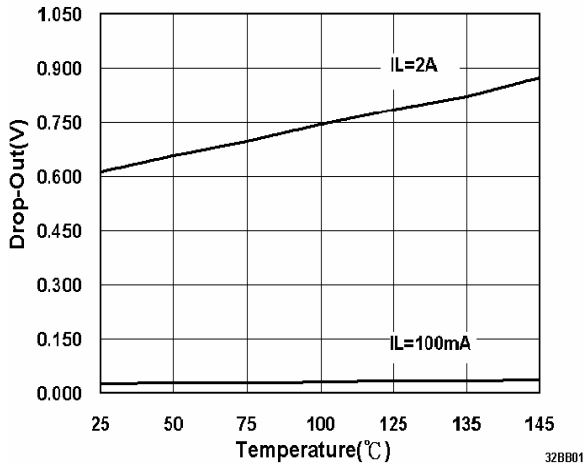
Symbol	Parameter	Conditions	EUP7962			Unit
			Min	Typ	Max.	
V_{OUT}	Output Voltage Tolerance	$V_{OUT}+1V \leq V_{IN} \leq 5.5V$ $10mA \leq I_L \leq 2A$	-1.8		1.8	%
	Line Regulation	$V_{OUT}+1V \leq V_{IN} \leq 5.5V$		0.09	0.2	%/ ΔV
	Load Regulation	$10mA \leq I_L \leq 2A$		0.04	0.2	%/ ΔA
$V_{IN}-V_{OUT}$	Dropout Voltage	$I_L = 150mA$		41	50	mV
		$I_L = 2A$		600	700	
I_{GND}	Ground Pin Current in Normal Operation Mode	$I_L = 0A$		1	1.5	mA
		$I_L = 2A$		1.3	1.9	
	Ground Pin Current in Shutdown Mode	$V_{EN} \leq 0.3V$	0.01		10	μA
$I_{O(PK)}$	Peak Output Current	$V_O \geq V_{O(NOM)} -4\%$		3		A
Short Circuit Protection						
I_{SC}	Short Circuit Current			3.5		A

Electrical CharacteristicsLimits in standard typeface are for $T_J=25^{\circ}\text{C}$. Unless otherwise specified: $V_{IN}=V_{OUT(nom)}+1\text{V}$, $I_L=10\text{mA}$, $C_{OUT}=10\mu\text{F}$

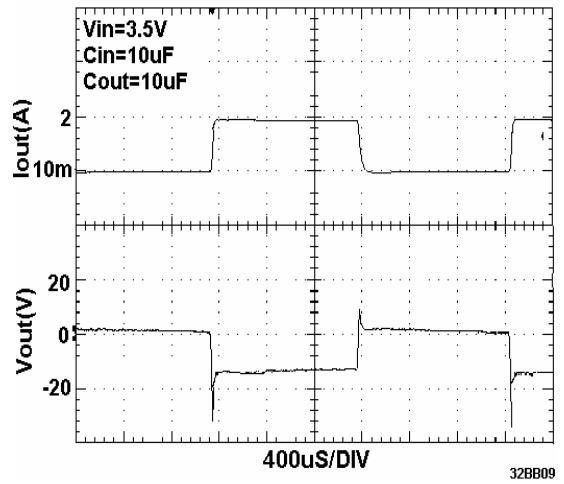
Symbol	Parameter	Conditions	EUP7962			Unit
			Min	Typ	Max.	
V_{IH}	Enable Threshold	Output = High	1.4			V
V_{IL}		Output = Low			0.3	
T_{dOFF}	Turn-off delay	$I_L = 2\text{A}$		15		μs
T_{dON}	Turn-on delay	$I_L = 2\text{A}$		20		
I_{EN}	$\overline{V_{EN}}$ Pin Input Current	$V_{EN}=V_{IN}$		0.1	1	μA
ERROR Flag						
V_T	Threshold		8	10	12	%
V_{TH}	Threshold Hysteresis		3	5	7	%
$V_{EF(Sat)}$	$\overline{\text{ERROR}}$ Flag Saturation	$I_{SINK}=100\mu\text{A}$		0.02	0.1	V
T_d	Flag Reset Delay			1		μs
I_{IK}	$\overline{\text{ERROR}}$ Flag Pin Leakage Current			1		nA
I_{max}	$\overline{\text{ERROR}}$ Flag Pin Sink Current	$V_{Error}=0.5\text{V}$		3		mA
AC Parameters						
PSRR	Ripple Rejection	$V_{IN}=V_{OUT}+1\text{V}$ $C_{OUT}=10\mu\text{F}$ $V_{OUT}=3.3\text{V}$, $f=120\text{Hz}$		56		dB
e_n	Output Noise Voltage	$\text{BW}=10\text{Hz}-100\text{kHz}$ $V_{OUT}=2.5\text{V}$		150		$\mu\text{V(rms)}$
Over Temperature Protection						
$T_{SH(t)}$	Shutdown Threshold			150		$^{\circ}\text{C}$
$T_{SH(h)}$	Thermal Shutdown Hysteresis			15		$^{\circ}\text{C}$

Typical Operating Characteristics

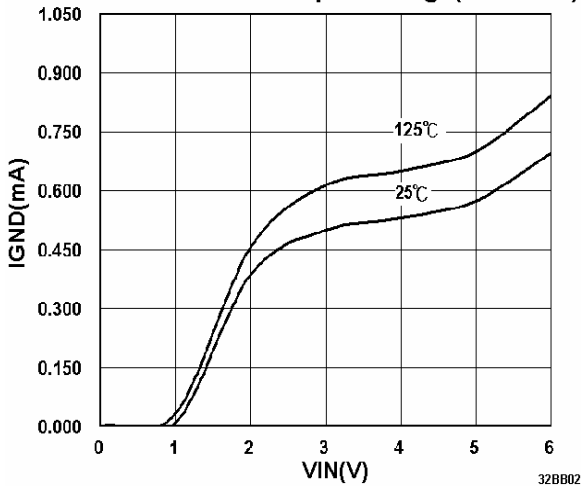
Drop-Out Voltage Vs Temperature for Different Load Current



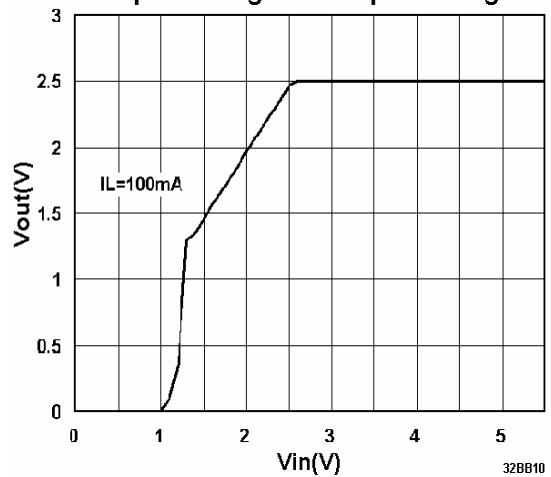
Load Transient Response



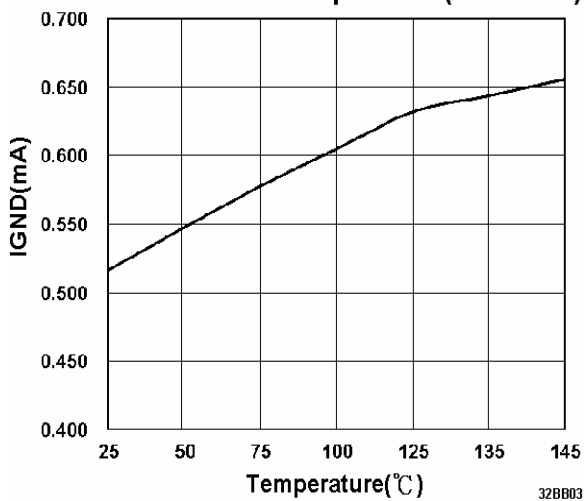
Ground Pin Current Vs Input Voltage (VSD=VIN)



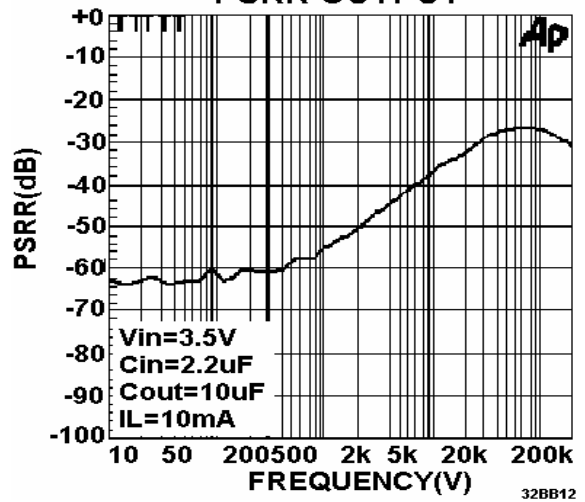
Input Voltage Vs Output Voltage



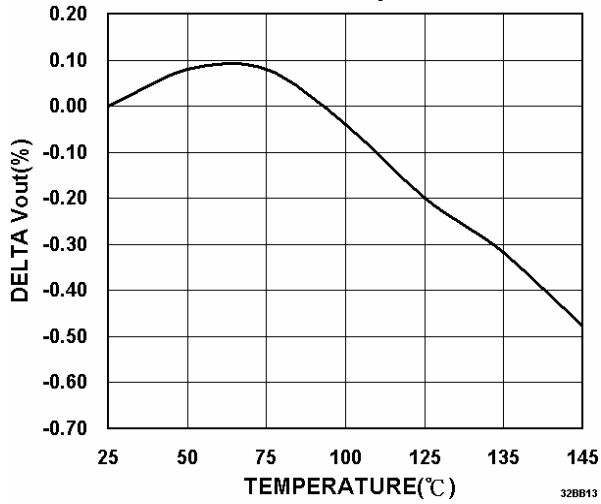
Ground Current Vs Temperature (VSD=VIN)



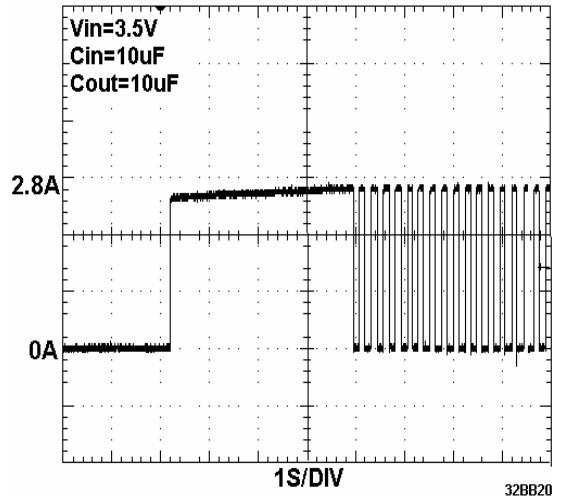
PSRR OUTPUT



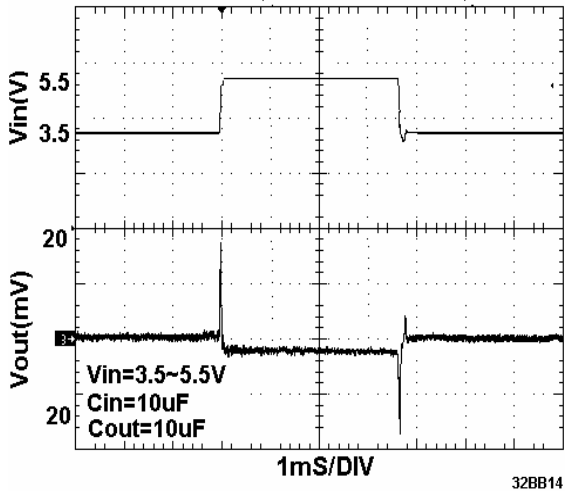
ΔV_{out} Vs Temperature



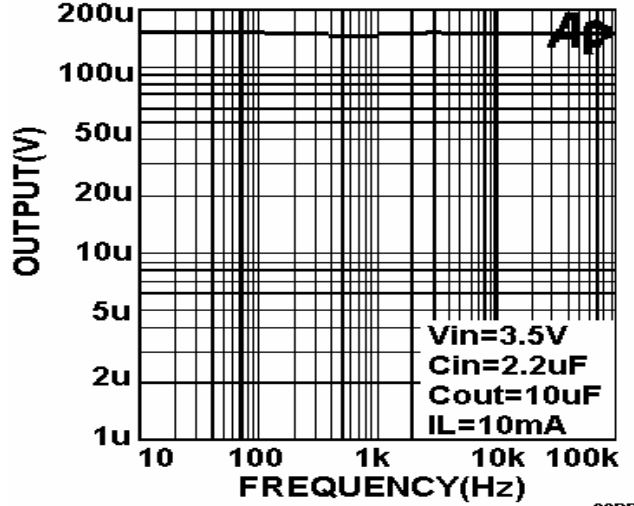
SHORT CURRENT



Line Transient Response(Iout=10mA)



Output Noise Density, Vout=2.5V



Application Note

External Capacitors

Like any low-dropout regulator, the EUP7962 requires external capacitors for regulator stability. These capacitors must be correctly selected for good performance.

Input Capacitor

An input capacitance of 2.2µF is required between the EUP7962 input pin and ground (the amount of the capacitance may be increased without limit).

This capacitor must be located a distance of not more than 1cm from the input pin and returned to a clean analog ground. Any good quality ceramic, tantalum, or film capacitor may be used at the input.

If a tantalum capacitor is used at the input, it must be guaranteed by the manufacturer to have a surge current rating sufficient for the application.

There are no requirements for the ESR on the input capacitor, but tolerance and temperature coefficient must be considered when selecting the capacitor to ensure the capacitance will be 2.2µF over the entire operating temperature range.

Output Capacitor

The EUP7962 is designed specifically to work with very small ceramic output capacitors. A ceramic capacitor (temperature characteristics X7R, X5R, Z5U, or Y5V) in 4.7 to 22µF range with 5mΩ to 200mΩ ESR range is suitable in the EUP7962 application circuit.

The output capacitor must meet the requirement for minimum amount of capacitance and also have an ESR (Equivalent Series Resistance) value which is within a stable range (5mΩ to 200mΩ)

No-Load Stability

The EUP7962 will remain stable and in regulation with no external load. This is specially important in CMOS RAM keep-alive applications.

On/Off Input Operation

The EUP7962 is turned off by pulling the V_{EN} pin low, and turned on by pulling it high. If this feature is not used, the V_{EN} pin should be tied to V_{IN} to keep the regulator output on at all time. To assure proper operation, the signal source used to drive the V_{EN} input must be able to swing above and below the specified turn-on/off voltage thresholds listed in the Electrical Characteristics section under V_{IL} and V_{IH}.

ERROR Flag Operation

The EUP7962 produces a logic low signal at the ERROR Flag pin when the output drops out of regulation due to low input voltage, current limiting, or thermal limiting. This flag has a built in hysteresis.

The internal ERROR flag comparator has an open drain output stage. Hence, the ERROR pin should be pulled high through a pull up resistor. The ERROR pin must be connected to ground if this function is not used. It should also be noted that when the shutdown pin is pulled low, the ERROR pin is forced to be invalid for reasons of saving power in shutdown mode.

Adjustable Operation

The adjustable version of the EUP7962 has an output voltage range of 0.8V to 4.5V. The output voltage of the EUP7962 adjustable regulator is programmed using an external resistor divider as shown in Figure3. The output voltage is calculated using:

$$V_O = V_{ref} \times (1 + \frac{R_1}{R_2})$$

Where:

V_{ref}= 0.8V typ. (the internal reference voltage)

Utilize the following equation for adjusting the output to a particular voltage:

$$P_I = R_2 \left[\frac{V_O}{0.8V} - 1 \right]$$

Choose R₂=50k to optimize accuracy, power supply rejection, noise and power consumption.

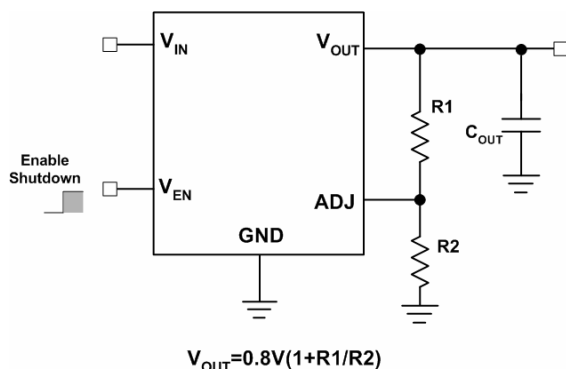


Figure3. Adjustable Regulator with Resistors

Power Dissipation

EUP7962 can deliver a continuous current of 2A over the full operating temperature range. A heatsink may be required depending on the maximum power dissipation and maximum ambient temperature of the application. Under all possible conditions, the junction temperature must be within the range specified under operating conditions. The total power dissipation of the device is given by:

$$P_D = (V_{IN} - V_{OUT})I_{OUT} + (V_{IN})I_{GND}$$

Where I_{GND} is the operating ground current of the device (specified under Electrical Characteristics).

The maximum allowable temperature rise (T_{Rmax}) depends on the maximum ambient temperature (T_{Amax}) of the application, and the maximum allowable junction temperature (T_{Jmax}):

$$T_{Rmax} = T_{Jmax} - T_{Amax}$$

The maximum allowable value for junction to ambient Thermal Resistance, θ_{JA} , can be calculated using the formula:

$$\theta_{JA} = T_{Rmax} / P_D$$

PCB Layout

Good PC layout practices must be used or instability can be induced because of ground loops and voltages drops. The input and output capacitors must be directly connected to the input, output, and ground pins of the regulator using traces which do not have other currents flowing in them.

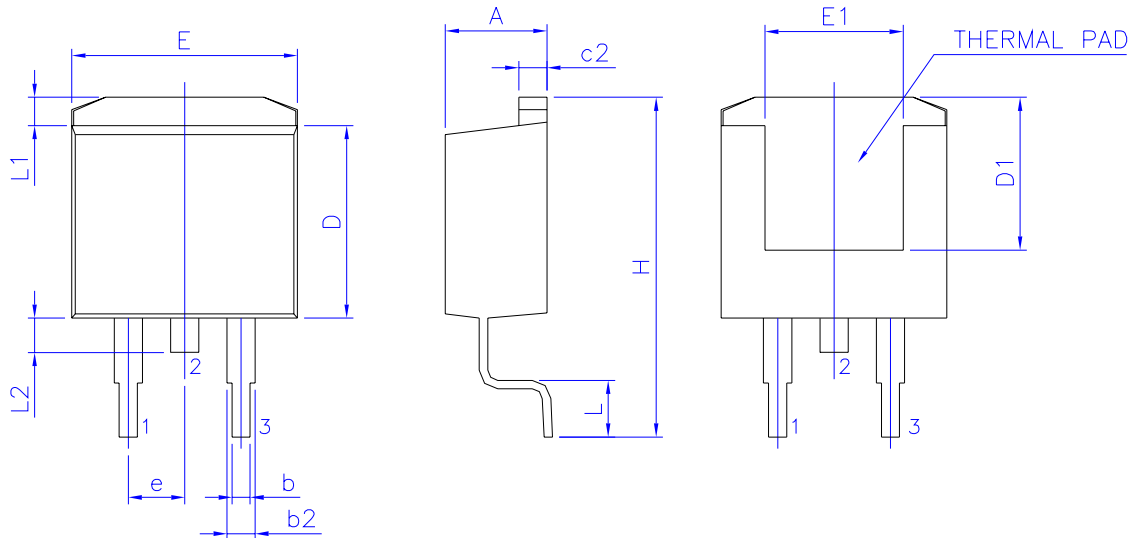
The best way to do this is to lay out C_{IN} and C_{OUT} near the device with short traces to the V_{IN} , V_{OUT} , and ground pins. The regulator ground pin should be connected to the external circuit ground so that the regulator and its capacitors have a “single point ground”.

It should be noted that stability problems have been seen in applications where “vias” to an internal ground plane were used at the ground points of the IC and the input and output capacitors. This was caused by varying ground potentials at these nodes resulting from current flowing through the ground plane. Using a single point ground technique for the regulator and its capacitors fixed the problem.

Since high current flows through the traces going into V_{IN} and coming from V_{OUT} , Kelvin connect the capacitor leads to these pins so there is no voltage drop in series with the input and output capacitors.

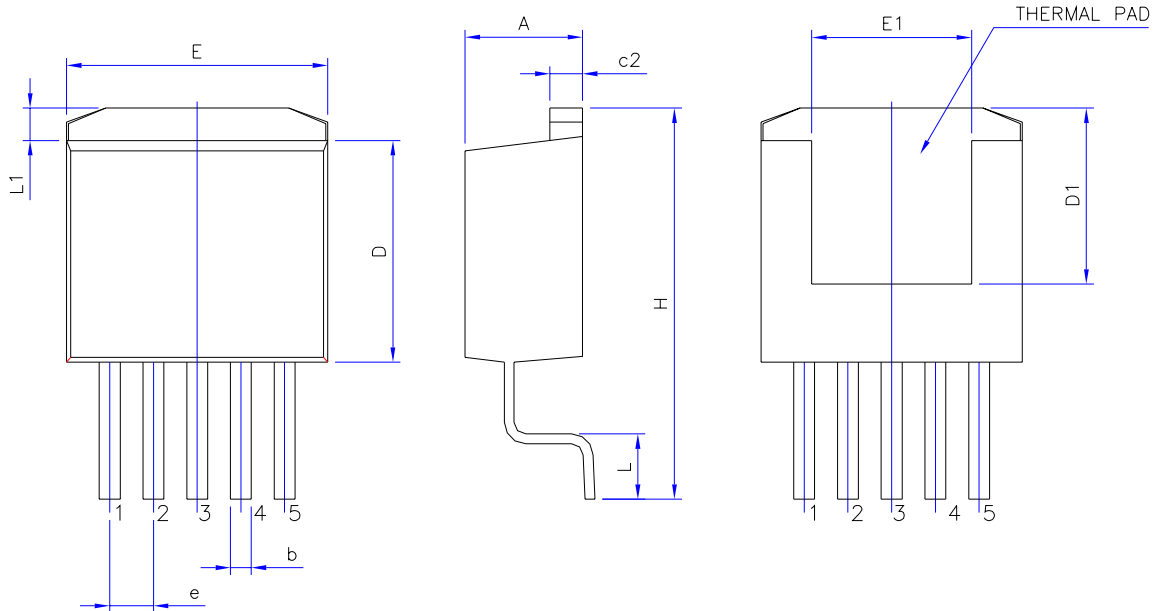
Packaging Information

TO263-3



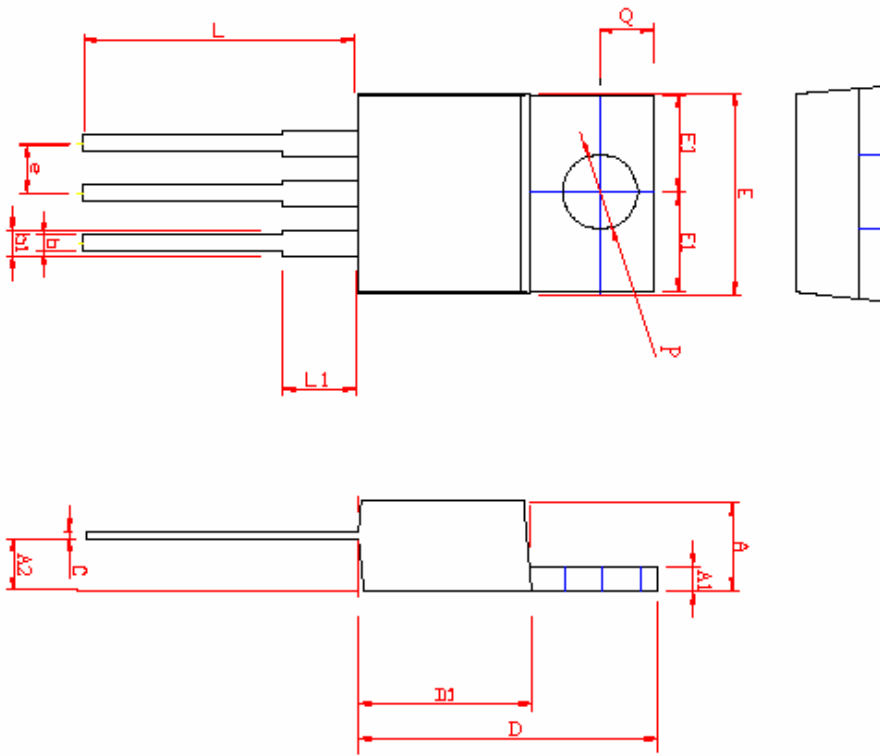
SYMBOLS	MILLIMETERS		INCHES	
	MIN.	MAX.	MIN.	MAX.
A	4.06	4.83	0.160	0.190
C2	1.14	1.65	0.045	0.065
b	0.51	1.00	0.020	0.039
b1	1.14	1.40	0.045	0.055
D	8.38	9.65	0.330	0.380
E	9.65	10.67	0.380	0.420
e	2.54		0.100	
H	14.60	15.88	0.575	0.625
L2	-	1.78	-	0.070
L	1.78	2.80	0.070	0.110
L1	-	1.68	-	0.066
D1	6.86	-	0.270	-
E1	6.22	-	0.245	-

TO263-5



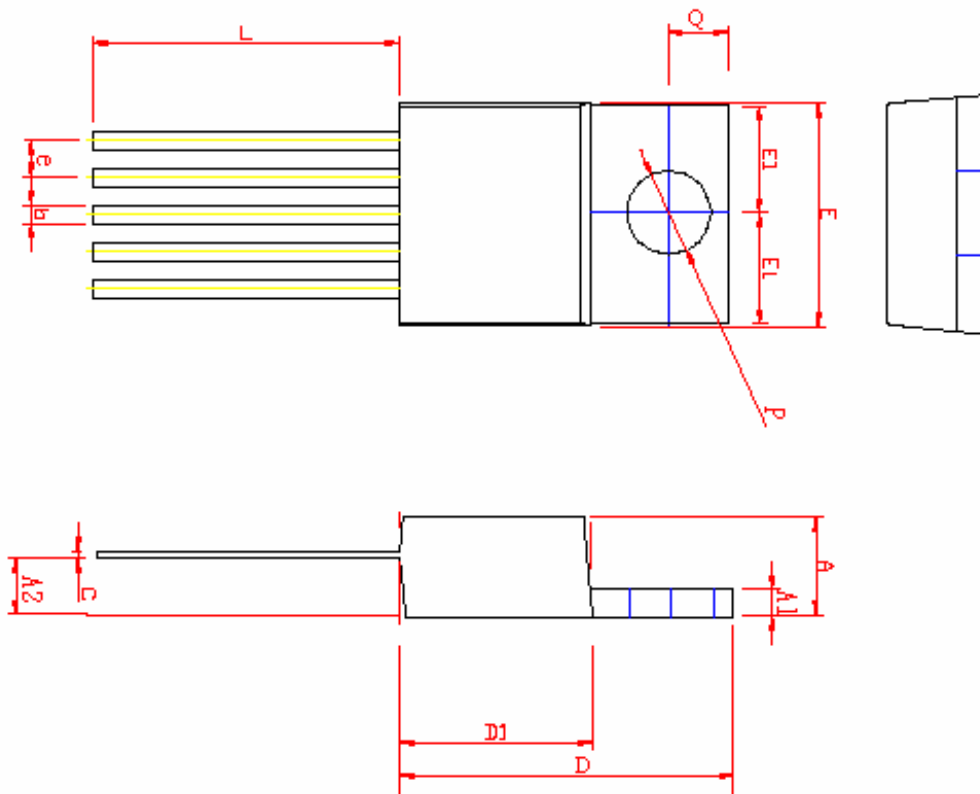
SYMBOLS	MILLIMETERS		INCHES	
	MIN.	MAX.	MIN.	MAX.
A	4.06	4.83	0.160	0.190
C2	1.14	1.65	0.045	0.065
b	0.51	1.00	0.020	0.039
D	8.38	9.65	0.330	0.380
E	9.65	10.67	0.380	0.420
e	1.70		0.067	
H	14.60	15.88	0.575	0.625
L	1.78	2.80	0.070	0.110
L1	-	1.68	-	0.066
D1	6.86	-	0.270	-
E1	6.22	-	0.245	-

TO220-3



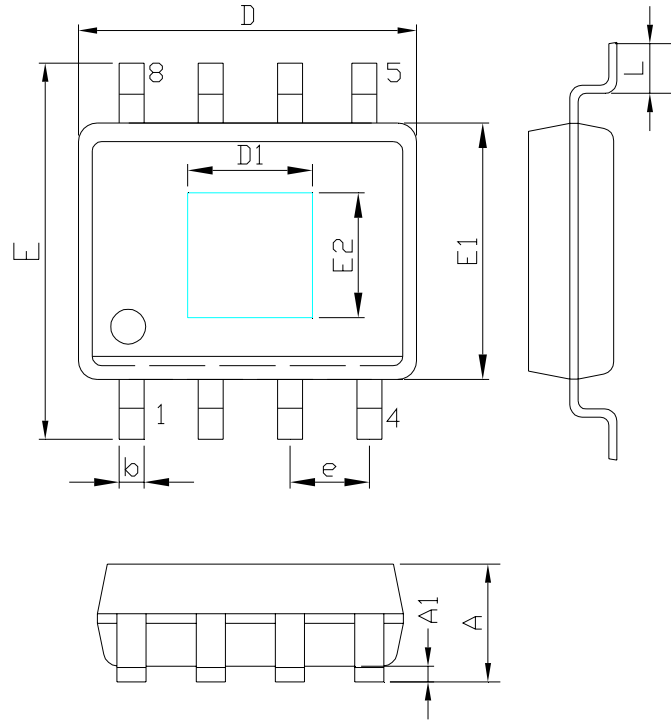
SYMBOLS	MILLIMETERS		INCHES	
	MIN.	MAX.	MIN.	MAX.
A	4.06	4.83	0.160	0.190
A2	2.03	2.92	0.080	0.115
b	0.64	1.02	0.025	0.040
b1	1.14	1.52	0.045	0.060
C	0.30	0.56	0.012	0.022
D	13.72	15.75	0.540	0.620
D1	7.62	9.40	0.300	0.370
Q	2.62	2.87	0.103	0.113
E	9.65	10.67	0.380	0.420
E1	4.88	5.33	0.190	0.210
P	3.71	4.00	0.146	0.156
e	2.54		0.100	
A1	1.14	1.40	0.045	0.055
L	12.70	14.73	0.500	0.580
L1	-	6.35	-	0.250

TO220-5



SYMBOLS	MILLIMETERS		INCHES	
	MIN.	MAX.	MIN.	MAX.
A	4.06	4.83	0.160	0.190
A2	2.03	2.92	0.080	0.115
b	0.64	1.02	0.025	0.040
C	0.30	0.56	0.012	0.022
D	13.72	15.75	6.540	0.620
D1	7.62	9.40	0.300	0.370
Q	2.62	2.87	0.103	0.113
E	9.65	10.67	0.380	0.420
E1	4.88	5.33	0.190	0.210
P	3.71	4.00	0.146	0.156
e	1.70		0.067	
A1	1.14	1.40	0.045	0.055
L	12.70	14.73	0.500	0.580

SOP-8



SYMBOLS	MILLIMETERS		INCHES	
	MIN.	MAX.	MIN.	MAX.
A	1.35	1.75	0.053	0.069
A1	0.10	0.25	0.004	0.010
D	4.90		0.193	
E1	3.90		0.153	
D1	2.00		0.081	
E2	2.00		0.081	
E	5.80	6.20	0.228	0.244
L	0.40	1.27	0.016	0.050
b	0.31	0.51	0.012	0.020
e	1.27		0.050	