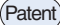


Absolute Rotary Encoder

E6F-A

Rugged construction providing high-precision timing detection for automatic machines operation

- Stronger shaft and higher durability (120 N in radial direction and 50 N in thrust direction) than previous E6F Encoders.
- Drip-proof construction meets IP64F standards
- High resolution models (1024 pulses max. per revolution)
- Faster response for high-speed control applications (grey code: 20 kHz).
- Shock resistance strengthened by metal disk. 



Ordering Information

Sensors

Supply voltage	Output form	Output code	Resolution (pulses/revolution)	Connection method	Model
5 to 12 VDC	NPN open collector	BCD	360	Pre-wired	E6F-AB5C
12 to 24VDC				Connector type	E6F-AB5C-C
	PNP open collector			Pre-wired	E6F-AB5B
		Gray code	256, 360, 720, 1,024	Pre-wired	E6F-AG5B

Note: 1. For order placement add the resolution (pulses per revolution) between the part number. For example, E6F-AG5B 256 P/R.
 2. E6F-AB5C-C applied for rotary positioner connection.

E6F-A

Accessories (Order Separately)

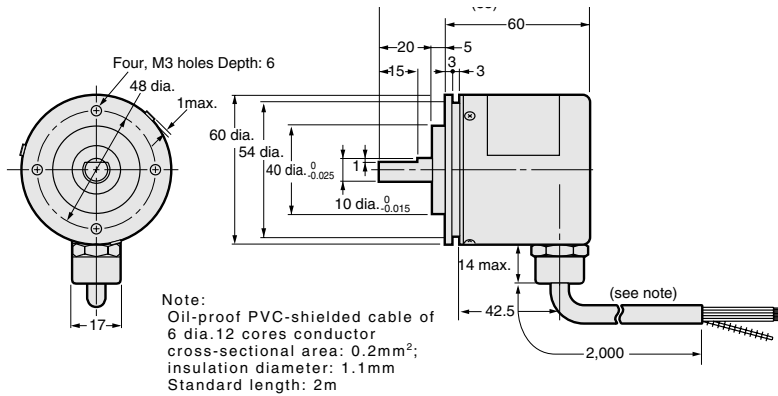
Item	Model	Remarks
Coupling	E69-C10B	Supplied with pre-wired models
	E69-C610B	Different end diameter
	E69-C10M	Metal construction
Mounting Bracket	E69-2	Supplied with the product (set of 3)
Extension Cable	E69-DF5	Standard stock models: 5 m, 10 m. In addition to this 15 m, 20 m and 98 m are available.

Dimensions (Unit: mm)

Sensors

E6F-AB5C
E6F-AG5B
E6F-AB5B

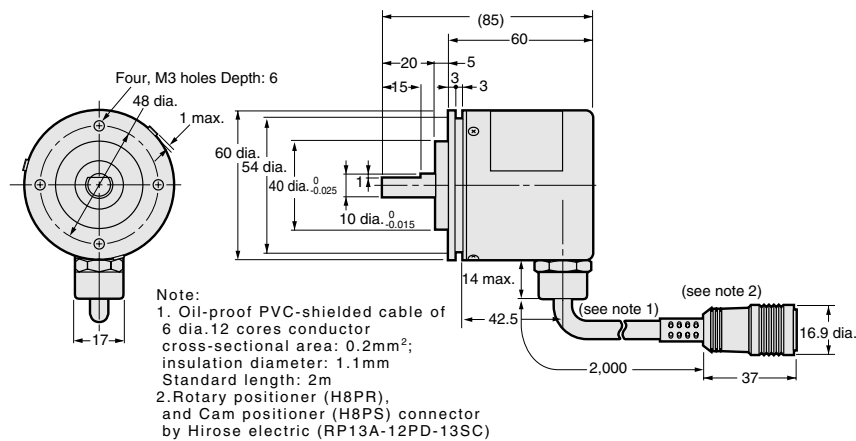
CAD file **E6F_02**



E69-C10B is attached.

E6F-AB5C-C

CAD file **E6F_01**



E69-C10B is sold separately.