



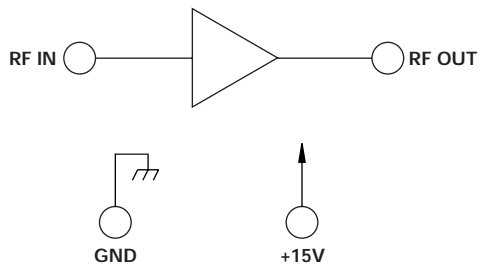
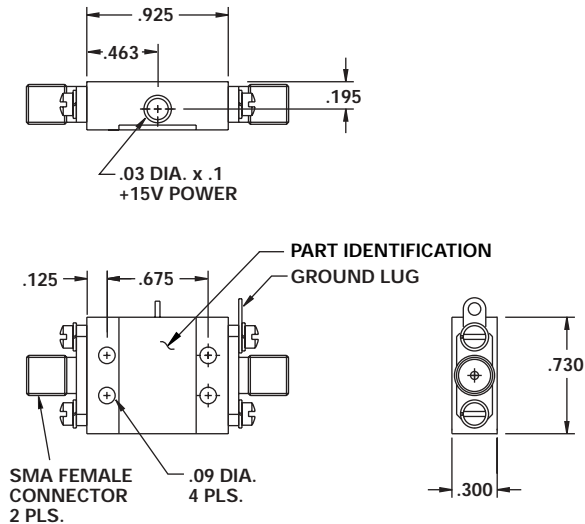
MODEL NO.
DAMB6462-X

Broadband Amplifier

FEATURES

- 0.5 - 18 GHz
- SMA Connectors
- 5.0 dB NF
- Gain Flatness ± 1.0 dB

AMP



GUARANTEED PERFORMANCE

Model Number	Noise Figure	Gain	Gain Flatness	Output Power P/1 dB	IP3	VSWR	DC Current At 15V
(Frequency Range: 0.5 - 18 GHz)	(dB Max)	(dB Min)	(\pm dB)		(dBm Typ)	(Max)	(mA Nom)
DAMB6462-1	5	9	1.0	9	17	2.0:1	60
DAMB6462-2	5	10	1.0	15	23	2.0:1	90
DAMB6462-3	5	10	1.0	17	25	2.0:1	100