



Construction

- Current-compensated ring core choke with ferrite core
- Bifilar winding
- Tinned terminals



Features

- Case flame-retardant as per UL 94 V-0
- Suitable for reflow soldering

Applications

- Suppression of asymmetrical interference coupled in on lines, whereas data signals up to some MHz can pass unaffectedly
- Telecom interfaces
- ISDN systems

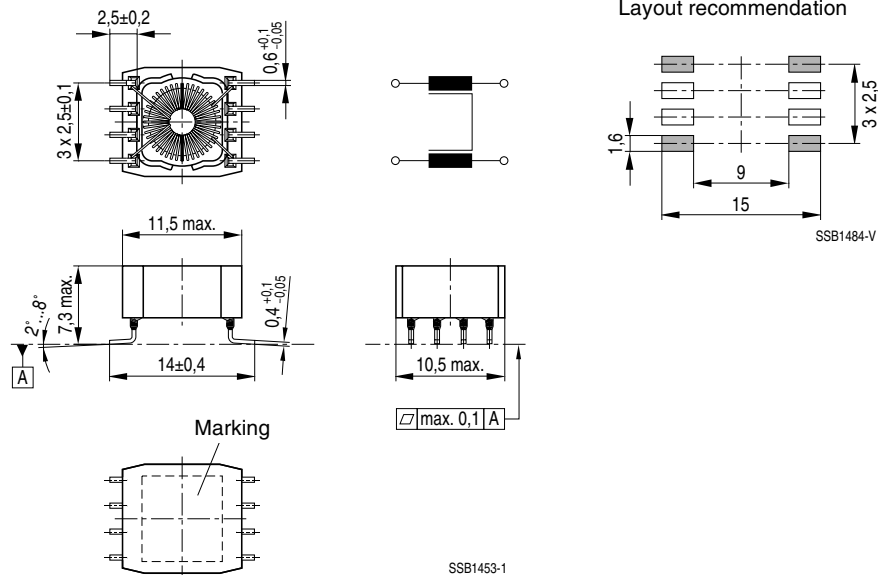
Marking

Manufacturer, ordering code, date of manufacture (month, year)

Delivery mode

- 24-mm blister tape, reel packing
- Packing unit: 500 pcs.

Dimensional drawing



SSB1453-1



Data Line Chokes for Telecommunications

B82792C0...

U_{K0}/U_{PN} Interface; xDSL Transformers



General technical data

| | |
|------------------------------------|--|
| Rated voltage V_R | 42 Vac (50/60 Hz) 80 Vdc |
| Rated current I_R | Referred to 50 Hz and 60 °C ambient temperature |
| Rated inductance L_R | Measured with HP 4275A at 10 kHz and 10 mV (specified per winding) |
| Inductance tolerance | -30/+50 % |
| Inductance decrease $\Delta L/L_0$ | < 10 % at dc magnetic bias with I_R |
| Stray inductance L_S | Measured at 10 kHz and 10 mV |
| DC resistance R_{typ} | Typical values, measured at 20 °C ambient temperature |
| Solderability | (215 ± 3) °C, (3 ± 0,3) s wetting of soldering area ≥ 95 % in accordance with IEC 60068-2-58 |
| Climatic category | 40/125/56 (-40 °C/+125 °C/56 days damp heat test) in accordance with IEC 60068-1 |
| Weight | Approx. 2 g |

Characteristics and ordering codes

| L_R mH | L_S, typ nH | I_R mA | R_{typ} Ω | V_T Vdc, 2 s | Ordering code |
|-------------|------------------|-------------|-----------------------|-------------------|-----------------|
| 4,7 | 500 | 600 | 0,4 | 1000 | B82792C0475N365 |
| 6,8 | 500 | 600 | 0,5 | 750 | B82792C0685N365 |
| 10 | 600 | 500 | 1,1 | 750 | B82792C0106N365 |
| 22 | 800 | 200 | 1,6 | 750 | B82792C0226N365 |
| 33 | 1500 | 100 | 2,0 | 750 | B82792C0336N365 |
| 50 | 1700 | 100 | 2,6 | 750 | B82792C0506N365 |

Herausgegeben von EPCOS AG

Unternehmenskommunikation, Postfach 80 17 09, 81617 München, DEUTSCHLAND

☎ ++49 89 636 09, FAX (0 89) 636-2 26 89

© EPCOS AG 2002. Vervielfältigung, Veröffentlichung, Verbreitung und Verwertung dieser Broschüre und ihres Inhalts ohne ausdrückliche Genehmigung der EPCOS AG nicht gestattet.

Bestellungen unterliegen den vom ZVEI empfohlenen Allgemeinen Lieferbedingungen für Erzeugnisse und Leistungen der Elektroindustrie, soweit nichts anderes vereinbart wird.

Diese Broschüre ersetzt die vorige Ausgabe.

Fragen über Technik, Preise und Liefermöglichkeiten richten Sie bitte an den Ihnen nächstgelegenen Vertrieb der EPCOS AG oder an unsere Vertriebsgesellschaften im Ausland. Bauelemente können aufgrund technischer Erfordernisse Gefahrstoffe enthalten. Auskünfte darüber bitten wir unter Angabe des betreffenden Typs ebenfalls über die zuständige Vertriebsgesellschaft einzuholen.

Published by EPCOS AG

Corporate Communications, P.O. Box 80 17 09, 81617 Munich, GERMANY

☎ ++49 89 636 09, FAX (0 89) 636-2 26 89

© EPCOS AG 2002. Reproduction, publication and dissemination of this brochure and the information contained therein without EPCOS' prior express consent is prohibited.

Purchase orders are subject to the General Conditions for the Supply of Products and Services of the Electrical and Electronics Industry recommended by the ZVEI (German Electrical and Electronic Manufacturers' Association), unless otherwise agreed.

This brochure replaces the previous edition.

For questions on technology, prices and delivery please contact the Sales Offices of EPCOS AG or the international Representatives.

Due to technical requirements components may contain dangerous substances. For information on the type in question please also contact one of our Sales Offices.