

## 1 watt dc-dc converters

- SMD PACKAGE
- LOW RIPPLE & NOISE
- HIGH EFFICIENCY UP TO 75%
- UL94-VO PACKAGE
- INPUT/OUTPUT ISOLATION: 1000 & 3000VDC
- OPERATING TEMPERATURE: -40°C ... +85°C
- PIN-COMPATIBLE WITH MULTIPLE MANUFACTURERS

### GENERAL DESCRIPTION

The AM1L-N series is a family of cost effective 1W single and dual output DC-DC converters. These converters combines a miniature SMD package with 1000 & 3000VDC input/output isolation voltage.

Thirty two models operate from input voltages of 5 & 12 VDC with producing output voltage levels of 5, 9, 12, 15, ±5, ±9, ±12, ±15VDC. Full SMD-design and a 100% production test of parameters ensures a high reliability in this product.

### ELECTRICAL SPECIFICATIONS

Specifications typical at +25°C, nominal input voltage, rated output current unless otherwise specified

#### Input Specifications:

Voltage range	±10 %
Filter	Capacitor

#### Isolation Specifications:

Rated voltage (60 sec)	1000 & 3000VDC
Resistance	> 1000MOhm
Capacitance	60pF, typ

#### General Specifications:

Efficiency	75% (typ)
Switching Frequency	100KHz, typ

#### Physical Specifications

Dimensions	single out	12.7x11.2x6.3 mm
	dual out	15.3x11.2x6.3 mm
	single & dual 3000VDC	15.2x11.2x6.25 mm
Weight		1.5 g
Case material		Plastic UL94-VO

#### Output Specifications:

Voltage accuracy	±5%, max
Voltage Balance (dual outputs)	±2%
Ripple & noise (at 20MHz BW)	150mVp-p, max
Short circuit protection	1 sec
Line voltage regulation	±1.2%/1% of Vin, max
Load voltage regulation	10% max (load 10...100%)
Temperature Coefficient	±0.03%/°C (max)

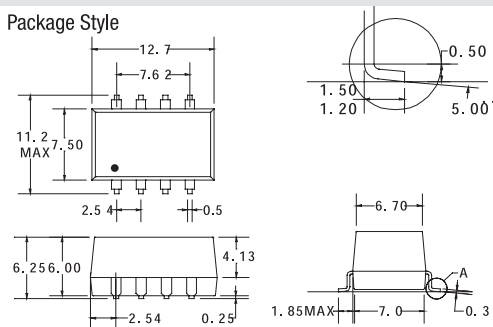
#### Environmental Specifications:

Operating temperature (ambient)	-40°C ... +85°C
Storage temperature	-55°C ... +125°C
Derating	None required
Humidity (non-condensing)	Up to 90%
Cooling	Free-air Convection

MTBF (MIL-HDBK-217F, Ground Benign, t=+25°C): > 980000 hrs (single output), > 1000 000hrs (dual output)

Specifications are subject to change without notification

### OUTLINE DIMENSIONS FOR SINGLE OUTPUT MODELS



All dimensions in mm. All pins on a 2.54 mm pitch. Tolerance: ±0.25mm

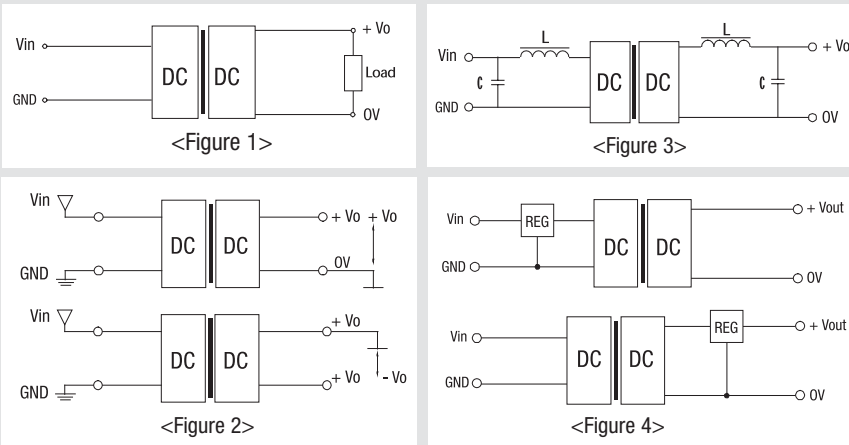
Pin	Single
1	-V Input
2	+V Input
4	-V Output
5	+V Output
3	N.C.
6	N.C.
7	N.C.
8	N.C.

## MODELS

### Single output

Models		Input Voltage	Ouput Voltage	Ouput Current max.
Isolation 1000VDC	Isolation 3000VDC			
AM1L-0505S-N	AM1L-0505SH30-N	5V±10%	5VDC	200mA
AM1L-0509S-N	AM1L-0509SH30-N		9VDC	110mA
AM1L-0512S-N	AM1L-0512SH30-N		12VDC	80mA
AM1L-0515S-N	AM1L-0515SH30-N		15VDC	65mA
AM1L-1205S-N	AM1L-1205SH30-N	12V±10%	5VDC	200mA
AM1L-1209S-N	AM1L-1209SH30-N		9VDC	110mA
AM1L-1212S-N	AM1L-1212SH30-N		12VDC	80mA
AM1L-1215S-N	AM1L-1215SH30-N		15VDC	65mA

## ISOLATED & UNREGULATED



### External Capacitor Table

Vin	External Capacitor	Vout	External Capacitor
5VDC	4.7uF	5VDC	10uF
12VDC	2.2uF	9VDC	4.7uF
-	-	12VDC	2.2uF
-	-	15VDC	1uF

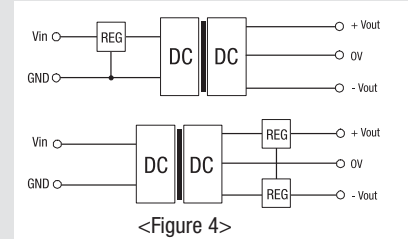
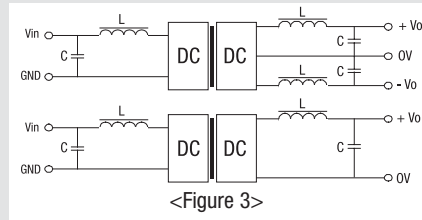
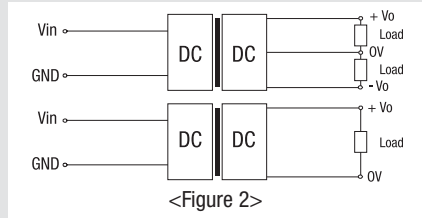
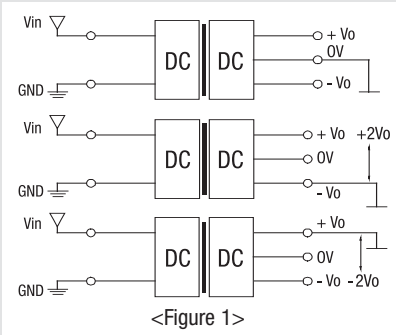
Note: The selected voltage withstand of the capacitor is generally 1.5-2 times of the nominal voltage.

## MODELS

### Dual output

Models		Input Voltage	Ouput Voltage	Ouput Current max.
Isolation 1000VDC	Isolation 3000VDC			
AM1L-0505D-N	AM1L-0505DH30-N	5V±10%	±5VDC	±100mA
AM1L-0509D-N	AM1L-0509DH30-N		±9VDC	±55mA
AM1L-0512D-N	AM1L-0512DH30-N		±12VDC	±40mA
AM1L-0515D-N	AM1L-0515DH30-N		±15VDC	±33mA
AM1L-1205D-N	AM1L-1205DH30-N	12V±10%	±5VDC	±100mA
AM1L-1209D-N	AM1L-1209DH30-N		±9VDC	±55mA
AM1L-1212D-N	AM1L-1212DH30-N		±12VDC	±40mA
AM1L-1215D-N	AM1L-1215DH30-N		±15VDC	±33mA

## ISOLATED & UNREGULATED

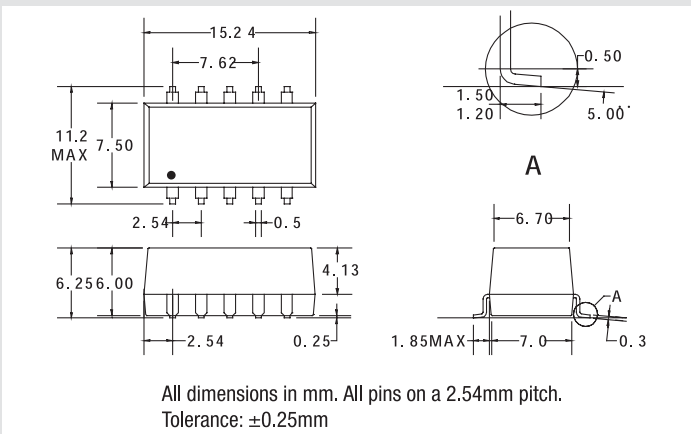


### External Capacitor Table

Vin	External Capacitor	Vout	External Capacitor
5VDC	4.7uF	5VDC	4.7uF
12VDC	2.2uF	9VDC	2.2uF
-	-	12VDC	1uF
-	-	15VDC	0.47uF

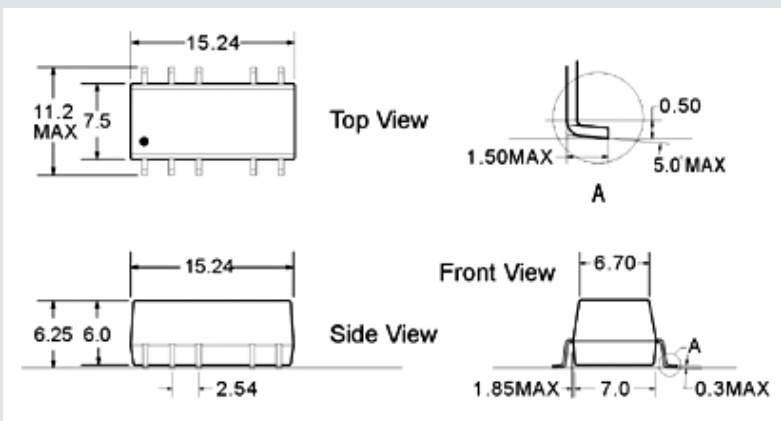
Note: The selected voltage withstand of the capacitor is generally 1.5~2 times of the nominal voltage.

## OUTLINE DIMENSIONS FOR DUAL OUTPUT MODELS



Pin	Dual
1	-V Input
2	+V Input
3	N.C.
4	Common
5	-V Output
6	N.C.
7	+V Output
8	N.C.
9	N.C.
10	N.C.

## OUTLINE DIMENSIONS FOR SINGLE & DUAL OUTPUT MODELS (3000VDC)

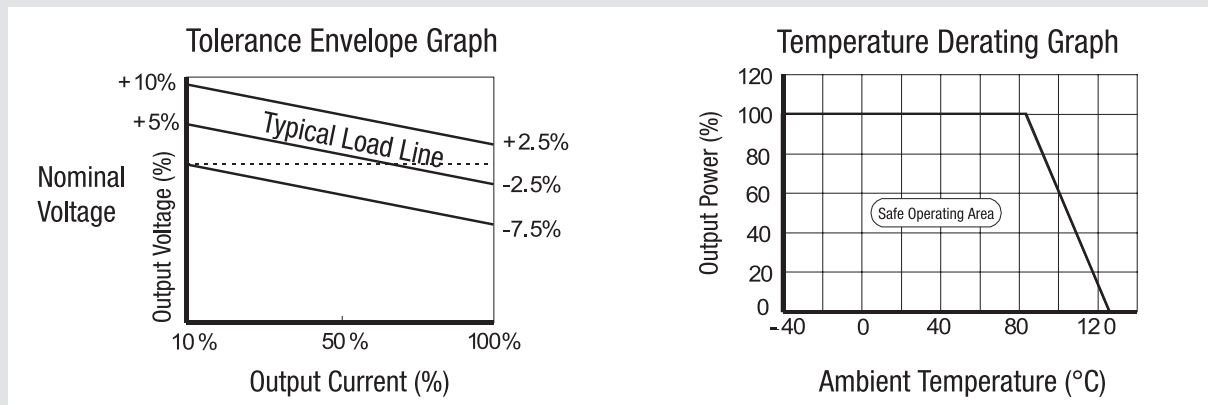


Pin	3000VDC	
	Single	Dual
1	GND	GND
2	+V Input	+V Input
3	N.C.	N.C.
4	Omitted	Omitted
5	Common	Common
6	N.C.	-V Output
7	N.C.	N.C.
8	+V Output	+V Output
9	Omitted	Omitted
10	N.C.	N.C.
11	N.C.	N.C.
12	N.C.	N.C.

www.DataSheet4U.com

Continued on next page

## TYPICAL CHARACTERISTICS



## APPLICATION NOTE

### General Application

In regular circuits, our company's DC/DC converters may be used directly without any peripheral components (see Figure 2). The basic input/output isolation may be used to provide a group of simple isolated polar output power supplies or to generate power supply lines of different voltages.

### Voltage And Polarity Inversion

A key performance of this DC/DC converter is high electric isolation capability. Thus, only one DC/DC converter may allow for several potential differences in the layout of circuit board. If necessary, you may connect the output end of the positive to input ground, then the negative output end will generate a negative voltage (see Figure 1).

### Filtering

In some circuits which are sensitive to noise and ripple, a filtering capacitor may be added to the DC/DC output end and input end to reduce the noise and ripple. However, the capacitance of the output filter capacitor must be proper. If the capacitance is too big, a startup problem might arise. For every channel of output provided the safe and reliable operation is ensured, the greatest capacitance of its filtering capacitor sees the External Capacitor Table. To get an extremely low ripple, a "LC" filter network may be connected to the input and output ends of the DC/DC converter, which may produce a more significant filtering effect. It should also be noted that the inductance and the frequency of the "LC" filter network should be staggered with the DC/DC frequency to avoid mutual interference (see Figure 3).

### Requirement On Output Load

To ensure this module can operate efficiently and reliably, a minimum load is specified for this kind of DC/DC converter in addition to a maximum load (namely full load). During operation, make sure the specified range of input voltage is not exceeded, the minimum output load is not less than 10% of the full load, and that this product should never be operated under no load!!! If the actual output power is very small, please connect a resistor with proper resistance at the output end in parallel to increase the load.

### Overload Protection

Under normal operating conditions, the output circuit of these products has no protection against over-current and short-circuits. The simplest method is to connect a self-recovery fuse in series at the input end or add a circuit breaker to the circuits.

### Output Voltage Regulation and Over-voltage Protection Circuit

The simplest device for output voltage regulation, over-voltage and over-current protection is a linear voltage stabilizer with overheat protection that is connected to the input or output end in series (see Figure 4).

### Product Reliability

The MTBF is the mean time between failures under full load. If the actual load is less than 20% of the rated load or greater than the rated load, then this product's reliability will be greatly reduced.

### Input Polarity Protection

Under normal conditions, this product's input circuit has no protection against polarity inversion; the solution is to connect a diode in series at the input.