

**REVISIONS**

LTR	DESCRIPTION	DATE (YR-MO-DA)	APPROVED
A	Changes in accordance with NOR 5962-R134-94.	94-03-24	M. A. Frye
B	Changes in accordance with NOR 5962-R038-95.	94-11-29	M. A. Frye
C	Redrawn. Add case outline X. Technical and editorial changes throughout.	95-03-24	M. A. Frye

THE ORIGINAL FIRST PAGE OF THIS DRAWING HAS BEEN REPLACED.

REV																				
SHEET																				
REV																				
SHEET																				
REV STATUS OF SHEETS	REV	C	C	C	C	C	C	C	C	C	C	C	C	C	C					
	SHEET	1	2	3	4	5	6	7	8	9	10	11	12							

PMIC N/A	PREPARED BY Dan Wonnell	DEFENSE ELECTRONICS SUPPLY CENTER DAYTON, OHIO 45444		
<p align="center"><b>STANDARD MICROCIRCUIT DRAWING</b></p> <p>THIS DRAWING IS AVAILABLE FOR USE BY ALL DEPARTMENTS AND AGENCIES OF THE DEPARTMENT OF DEFENSE</p> <p>AMSC N/A</p>	CHECKED BY Charles E Besore			
	APPROVED BY Michael A Frye			
	DRAWING APPROVAL DATE 92-03-26	SIZE A	CAGE CODE 67268	5962-90712
	REVISION LEVEL C	SHEET 1	OF	12

DESC FORM 193  
JUL 94

5962-E139-95

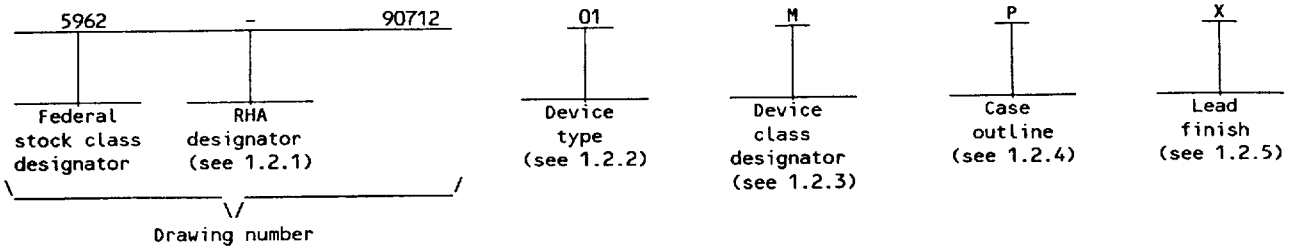
DISTRIBUTION STATEMENT A. Approved for public release; distribution is unlimited.

■ 9004708 0006001 991 ■

1. SCOPE

1.1 Scope. This drawing forms a part of a one part - one part number documentation system (see 6.6 herein). Two product assurance classes consisting of military high reliability (device classes Q and M) and space application (device class V), and a choice of case outlines and lead finishes are available and are reflected in the Part or Identifying Number (PIN). Device class M microcircuits represent non-JAN class B microcircuits in accordance with 1.2.1 of MIL-STD-883, "Provisions for the use of MIL-STD-883 in conjunction with compliant non-JAN devices". When available, a choice of Radiation Hardness Assurance (RHA) levels are reflected in the PIN.

1.2 PIN. The PIN shall be as shown in the following example:



1.2.1 RHA designator. Device class M RHA marked devices shall meet the MIL-I-38535 appendix A specified RHA levels and shall be marked with the appropriate RHA designator. Device classes Q and V RHA marked devices shall meet the MIL-I-38535 specified RHA levels and shall be marked with the appropriate RHA designator. A dash (-) indicates a non-RHA device.

1.2.2 Device type(s). The device type(s) shall identify the circuit function as follows:

<u>Device type</u>	<u>Generic number</u>	<u>Circuit function</u>
01	MAX690	Microprocessor watchdog/battery switchover/reset generator
02	MAX692	Microprocessor watchdog/battery switchover/reset generator
03	MAX694	Microprocessor watchdog/battery switchover/reset generator

1.2.3 Device class designator. The device class designator shall be a single letter identifying the product assurance level as follows:

<u>Device class</u>	<u>Device requirements documentation</u>
M	Vendor self-certification to the requirements for non-JAN class B microcircuits in accordance with 1.2.1 of MIL-STD-883
Q or V	Certification and qualification to MIL-I-38535

1.2.4 Case outline(s). The case outline(s) shall be as designated in MIL-STD-1835 and as follows:

<u>Outline letter</u>	<u>Descriptive designator</u>	<u>Terminals</u>	<u>Package style</u>
P	GDIP1-T8 or CDIP2-T8	8	dual-in-line
H	GDFP1-F10 or CDFP2-F10	10	flat package
X	CDFP3-F10	10	flat package
2	CQCC1-N20	20	square leadless chip carrier

1.2.5 Lead finish. The lead finish shall be as specified in MIL-STD-883 (see 3.1 herein) for class M or MIL-I-38535 for classes Q and V. Finish letter "X" shall not be marked on the microcircuit or its packaging. The "X" designation is for use in specifications when lead finishes A, B, and C are considered acceptable and interchangeable without preference.

STANDARD MICROCIRCUIT DRAWING DEFENSE ELECTRONICS SUPPLY CENTER DAYTON, OHIO 45444	SIZE A		5962-90712
		REVISION LEVEL C	SHEET 2

DESC FORM 193A  
JUL 94

9004708 0006002 828

1.3 Absolute maximum ratings. 1/

Supply voltage range ( $V_{CC}$ )	-0.3 V dc to +6.0 V dc
Battery voltage range ( $V_{BATT}$ )	-0.3 V dc to +6.0 V dc
All other inputs	-0.3 V dc to ( $V_{OUT} + 0.5$ V)
Input current	
$V_{CC}$	+200 mA
$V_{BATT}$	+50 mA
GND	+20 mA
Output current	
$V_{OUT}$	Short circuit protected
All other outputs	+20 mA
Rate-of-rise, $V_{BATT}$ , $V_{CC}$	+100 V/ $\mu$ s
Storage temperature range	-65°C to +160°C
Continuous total power dissipation ( $P_D$ ) ( $T_A = +70^\circ\text{C}$ )	2/:
H and X package	421 mW
P package	640 mW
Z package	727 mW
Lead temperature (soldering, 10 seconds)	+300°C
Thermal resistance, junction-to-case ( $\theta_{JC}$ )	See MIL-STD-1835
Thermal resistance, junction-to-ambient ( $\theta_{JA}$ ):	
H and X package	190°C/W
P package	125°C/W
Z package	110°C/W

1.4 Recommended operating conditions.

Supply voltage ( $V_{CC}$ ):	
Device types 01 and 03	4.75 V dc to 5.5 V dc
Device type 02	4.5 V dc to 5.5 V dc
Battery voltage ( $V_{BATT}$ )	2.8 V
Ambient operating temperature range ( $T_A$ )	-55°C to +125°C

2. APPLICABLE DOCUMENTS

2.1 Government specification, standards, bulletin, and handbook. Unless otherwise specified, the following specification, standards, bulletin, and handbook of the issue listed in that issue of the Department of Defense Index of Specifications and Standards specified in the solicitation, form a part of this drawing to the extent specified herein.

SPECIFICATION

MILITARY

MIL-I-38535 - Integrated Circuits, Manufacturing, General Specification for.

STANDARDS

MILITARY

MIL-STD-883 - Test Methods and Procedures for Microelectronics.  
 MIL-STD-973 - Configuration Management.  
 MIL-STD-1835 - Microcircuit Case Outlines.

BULLETIN

MILITARY

MIL-BUL-103 - List of Standardized Military Drawings (SMD's).

1/ Stresses above the absolute maximum rating may cause permanent damage to the device. Extended operation at the maximum levels may degrade performance and affect reliability.  
 2/ Derate above +70°C: 8.0 mW/°C for case outline P, 5.26 mW/°C for case outlines H and X, and 9.09 mW/°C for case outline Z.

STANDARD MICROCIRCUIT DRAWING DEFENSE ELECTRONICS SUPPLY CENTER DAYTON, OHIO 45444	SIZE A		5962-90712
		REVISION LEVEL C	SHEET 3

DESC FORM 193A  
 JUL 94

9004708 0006003 764

HANDBOOK

MILITARY

MIL-HDBK-780 - Standardized Military Drawings.

(Copies of the specification, standards, bulletin, and handbook required by manufacturers in connection with specific acquisition functions should be obtained from the contracting activity or as directed by the contracting activity.)

2.2 Order of precedence. In the event of a conflict between the text of this drawing and the references cited herein, the text of this drawing shall take precedence.

3. REQUIREMENTS

3.1 Item requirements. The individual item requirements for device class M shall be in accordance with 1.2.1 of MIL-STD-883, "Provisions for the use of MIL-STD-883 in conjunction with compliant non-JAN devices" and as specified herein. The individual item requirements for device classes Q and V shall be in accordance with MIL-I-38535 and as specified herein or as modified in the device manufacturer's Quality Management (QM) plan. The modification in the QM plan shall not effect the form, fit, or function as described herein.

3.2 Design, construction, and physical dimensions. The design, construction, and physical dimensions shall be as specified in MIL-STD-883 (see 3.1 herein) for device class M and MIL-I-38535 for device classes Q and V and herein.

3.2.1 Case outline(s). The case outline(s) shall be in accordance with 1.2.4 herein.

3.2.2 Terminal connections. The terminal connections shall be as specified on figure 1.

3.2.3 Block diagram(s). The block diagram(s) shall be as specified on figure 2.

3.3 Electrical performance characteristics and postirradiation parameter limits. Unless otherwise specified herein, the electrical performance characteristics and postirradiation parameter limits are as specified in table I and shall apply over the full ambient operating temperature range.

3.4 Electrical test requirements. The electrical test requirements shall be the subgroups specified in table II. The electrical tests for each subgroup are defined in table I.

3.5 Marking. The part shall be marked with the PIN listed in 1.2 herein. Marking for device class M shall be in accordance with MIL-STD-883 (see 3.1 herein). In addition, the manufacturer's PIN may also be marked as listed in MIL-BUL-103. Marking for device classes Q and V shall be in accordance with MIL-I-38535.

3.5.1 Certification/compliance mark. The compliance mark for device class M shall be a "C" as required in MIL-STD-883 (see 3.1 herein). The certification mark for device classes Q and V shall be a "QML" or "Q" as required in MIL-I-38535.

3.6 Certificate of compliance. For device class M, a certificate of compliance shall be required from a manufacturer in order to be listed as an approved source of supply in MIL-BUL-103 (see 6.7.2 herein). For device classes Q and V, a certificate of compliance shall be required from a QML-38535 listed manufacturer in order to supply to the requirements of this drawing (see 6.7.1 herein). The certificate of compliance submitted to DESC-EC prior to listing as an approved source of supply for this drawing shall affirm that the manufacturer's product meets, for device class M, the requirements of MIL-STD-883 (see 3.1 herein), or for device classes Q and V, the requirements of MIL-I-38535 and the requirements herein.

3.7 Certificate of conformance. A certificate of conformance as required for device class M in MIL-STD-883 (see 3.1 herein) or for device classes Q and V in MIL-I-38535 shall be provided with each lot of microcircuits delivered to this drawing.

3.8 Notification of change for device class M. For device class M, notification to DESC-EC of change of product (see 6.2 herein) involving devices acquired to this drawing is required for any change as defined in MIL-STD-973.

3.9 Verification and review for device class M. For device class M, DESC, DESC's agent, and the acquiring activity retain the option to review the manufacturer's facility and applicable required documentation. Offshore documentation shall be made available onshore at the option of the reviewer.

STANDARD MICROCIRCUIT DRAWING DEFENSE ELECTRONICS SUPPLY CENTER DAYTON, OHIO 45444	SIZE A		5962-90712
		REVISION LEVEL C	SHEET 4

DESC FORM 193A  
JUL 94

9004708 0006004 6T0

TABLE I. Electrical performance characteristics.

Test	Symbol	Conditions <sup>1/</sup> -55°C ≤ T <sub>A</sub> ≤ +125°C V <sub>BATT</sub> = 2.8 V unless otherwise specified	Group A subgroups	Device type	Limits <sup>2/</sup>		Unit	
					Min	Max		
<b>BATTERY BACKUP SWITCHING</b>								
Operating voltage range	V <sub>CC</sub>		1,2,3	01,03	4.75	5.5	V	
				02	4.5	5.5		
	V <sub>BATT</sub>			01,03	2.0	4.25		
				02	2.0	4.0		
Output voltage	V <sub>OUT</sub>	I <sub>OUT</sub> = 1 mA	1,2,3	ALL	V <sub>CC</sub> -0.3		V	
	I <sub>OUT</sub> = 50 mA	V <sub>CC</sub> -0.5						
V <sub>OUT</sub> in battery backup mode	BATT <sub>OUT</sub>	I <sub>OUT</sub> = 250 μA, V <sub>CC</sub> < V <sub>BATT</sub> - 0.2 V	1,2,3	ALL	V <sub>BATT</sub> -0.1		V	
Supply current (excludes I <sub>OUT</sub> )	I <sub>CC</sub>	I <sub>OUT</sub> = 1 mA	1	ALL		5	mA	
			2,3			7		
			I <sub>OUT</sub> = 50 mA		1			10
					2, 3			15
Supply current in battery backup mode	I <sub>BATT</sub>	V <sub>CC</sub> = 0 V, V <sub>BATT</sub> = 2.8 V	1	ALL		1	μA	
			2,3			10		
Battery standby current (- = charge + = discharge)	I <sub>BATTSB</sub>	5.5 V > V <sub>CC</sub> > V <sub>BATT</sub> + 1 V	1	ALL	-0.1	+0.02	μA	
			2,3		-1.0	+0.02		
Battery switchover threshold V <sub>CC</sub> -V <sub>BATT</sub>	BATT <sub>SWTH</sub>	Power up or power down	1,2,3	ALL	-200	+200	mV	

**RESET AND WATCHDOG TIMING**

Reset voltage threshold	R <sub>TH</sub>		1,2,3	01,03	4.5	4.75	V
				02	4.25	4.5	
Reset threshold hysteresis	R <sub>THH</sub>		1,2,3	ALL		250	mV
Reset timeout delay	R <sub>DEL</sub>	OSC SEL HIGH V <sub>CC</sub> = 5 V	9	01,02	35	70	ms
			10,11		31	78	
			9	03	140	280	
			10,11		126	310	

See footnotes at end of table.

STANDARD MICROCIRCUIT DRAWING DEFENSE ELECTRONICS SUPPLY CENTER DAYTON, OHIO 45444	SIZE A		5962-90712
		REVISION LEVEL C	SHEET 5

DESC FORM 193A  
JUL 94

9004708 0006005 537

TABLE I. Electrical performance characteristics - Continued.

Test	Symbol	Conditions 1/ -55°C ≤ T <sub>A</sub> ≤ +125°C V <sub>BATT</sub> = 2.8 V unless otherwise specified	Group A subgroups	Device type	Limits 2/		Unit
					Min	Max	
Watchdog timeout period, internal oscillator	WD <sub>INT</sub>	Long period, V <sub>CC</sub> = 5 V	9	ALL	1.0	2.25	s
			10,11		0.9	2.42	
		Short period, V <sub>CC</sub> = 5 V	9		70	140	ms
			10,11		62	154	
Minimum WDI input pulse width	WDI <sub>PW</sub>	V <sub>IL</sub> = 0.4 V, V <sub>IH</sub> = V <sub>CC</sub> (0.8)	9	ALL	200		ns
			10,11		300		
RESET output voltage high	R <sub>VOH</sub>	I <sub>SOURCE</sub> = 1 μA, V <sub>CC</sub> = 5 V	1,2,3	ALL	3.5		V
RESET output voltage low	R <sub>VOL</sub>	I <sub>SINK</sub> = 1.6 mA, V <sub>CC</sub> = 4.25 V	1	ALL		0.4	V
		I <sub>SINK</sub> = 800 μA, V <sub>CC</sub> = 4.25 V	2,3			0.4	
RESET output short circuit current	R <sub>IOS</sub>	RESET = 0 V	1,2,3	ALL	1	25	μA
WDI input threshold logic low	WDI <sub>VIL</sub>	V <sub>CC</sub> = 5 V 3/ 4/	1	ALL		0.8	V
			2,3			0.4	
WDI input threshold logic high	WDI <sub>VIH</sub>	V <sub>CC</sub> = 5 V 3/ 4/	1	ALL	3.5		V
			2,3			4.0	
WDI input current	WDI <sub>IN</sub>	WDI = V <sub>OUT</sub>	1	ALL		50	μA
			2,3			80	
		WDI = 0 V	1			-50	
			2,3			-80	

**POWER FAIL DETECTOR**

PFI input threshold	PFI <sub>VTH</sub>	V <sub>CC</sub> = +5 V 3/	1,2,3	ALL	1.2	1.4	V
PFI input current	PFI <sub>IN</sub>		1,2,3	ALL	-25	+25	nA
PFO output voltage high	PFO <sub>VOH</sub>	I <sub>SOURCE</sub> = 1 μA, V <sub>CC</sub> = 5 V	1,2,3	ALL	3.5		V
PFO output voltage low	PFO <sub>VOL</sub>	I <sub>SINK</sub> = 3.2 mA	1	ALL		0.4	V
		I <sub>SINK</sub> = 1.6 mA	2,3			0.4	

See footnotes at end of table.

STANDARD MICROCIRCUIT DRAWING DEFENSE ELECTRONICS SUPPLY CENTER DAYTON, OHIO 45444	SIZE A		5962-90712
		REVISION LEVEL C	SHEET 6

DESC FORM 193A  
JUL 94

9004708 0006006 473

TABLE I. Electrical performance characteristics - Continued.

Test	Symbol	Conditions <sup>1/</sup> -55°C ≤ T <sub>A</sub> ≤ +125°C V <sub>BATT</sub> = 2.8 V unless otherwise specified	Group A subgroups	Device type	Limits <sup>2/</sup>		Unit
					Min	Max	
<b>POWER FAIL DETECTOR-Continued</b>							
$\overline{\text{PFO}}$ short circuit source current	$\overline{\text{PFO}}_{\text{IOS}}$	PFI = V <sub>IHR</sub> , $\overline{\text{PFO}} = 0 \text{ V}$	1,2,3	ALL	1	25	μA

<sup>1/</sup> For device types 01 and 03, V<sub>CC</sub> = 4.75 V to 5.5 V, unless otherwise specified. For device type 02, V<sub>CC</sub> = 4.5 V to 5.5 V, unless otherwise specified.

<sup>2/</sup> The algebraic convention, whereby the most negative value is a minimum and the most positive a maximum, is used for these limits.

<sup>3/</sup> The input voltage limits on PFI and WDI may be exceeded provided the input current is limited to less than 10 mA.

<sup>4/</sup> WDI is guaranteed to be in the mid-level (inactive) state if WDI is floating and V<sub>CC</sub> is in the operating voltage range. WDI is internally biased to 38 percent of V<sub>CC</sub> with an impedance of approximately 125 kΩ.

3.10 Microcircuit group assignment for device class M. Device class M devices covered by this drawing shall be in microcircuit group number 105 (see MIL-I-38535, appendix A).

4. QUALITY ASSURANCE PROVISIONS

4.1 Sampling and inspection. For device class M, sampling and inspection procedures shall be in accordance with MIL-STD-883 (see 3.1 herein). For device classes Q and V, sampling and inspection procedures shall be in accordance with MIL-I-38535 or as modified in the device manufacturer's Quality Management (QM) plan. The modification in the QM plan shall not effect the form, fit, or function as described herein.

4.2 Screening. For device class M, screening shall be in accordance with method 5004 of MIL-STD-883, and shall be conducted on all devices prior to quality conformance inspection. For device classes Q and V, screening shall be in accordance with MIL-I-38535, and shall be conducted on all devices prior to qualification and technology conformance inspection.

4.2.1 Additional criteria for device class M.

a. Burn-in test, method 1015 of MIL-STD-883.

(1) Test condition A, B, C, or D. The test circuit shall be maintained by the manufacturer under document revision level control and shall be made available to the preparing or acquiring activity upon request. The test circuit shall specify the inputs, outputs, biases, and power dissipation, as applicable, in accordance with the intent specified in test method 1015.

(2) T<sub>A</sub> = +125°C, minimum.

b. Interim and final electrical test parameters shall be as specified in table II herein.

STANDARD MICROCIRCUIT DRAWING DEFENSE ELECTRONICS SUPPLY CENTER DAYTON, OHIO 45444	SIZE A		5962-90712
		REVISION LEVEL C	SHEET 7

DESC FORM 193A  
JUL 94

9004708 0006007 30T

Device types	01, 02, and 03		
Case outlines	H and X	P	2
Terminal number	Terminal symbol		
1	V <sub>OUT</sub>	V <sub>OUT</sub>	NC
2	V <sub>CC</sub>	V <sub>CC</sub>	V <sub>BATT</sub>
3	GND	GND	V <sub>OUT</sub>
4	NC	PFI	V <sub>CC</sub>
5	PFI	$\overline{\text{PFO}}$	GND
6	$\overline{\text{PFO}}$	WDI	NC
7	WDI	$\overline{\text{RESET}}$	NC
8	NC	V <sub>BATT</sub>	NC
9	$\overline{\text{RESET}}$	---	NC
10	V <sub>BATT</sub>	---	NC
11	---	---	NC
12	---	---	PFI
13	---	---	$\overline{\text{PFO}}$
14	---	---	WDI
15	---	---	NC
16	---	---	NC
17	---	---	NC
18	---	---	NC
19	---	---	$\overline{\text{RESET}}$
20	---	---	NC

FIGURE 1. Terminal connections.

STANDARD MICROCIRCUIT DRAWING DEFENSE ELECTRONICS SUPPLY CENTER DAYTON, OHIO 45444	SIZE A		5962-90712
		REVISION LEVEL C	SHEET 8

DESC FORM 193A  
JUL 94

■ 9004708 0006008 246 ■



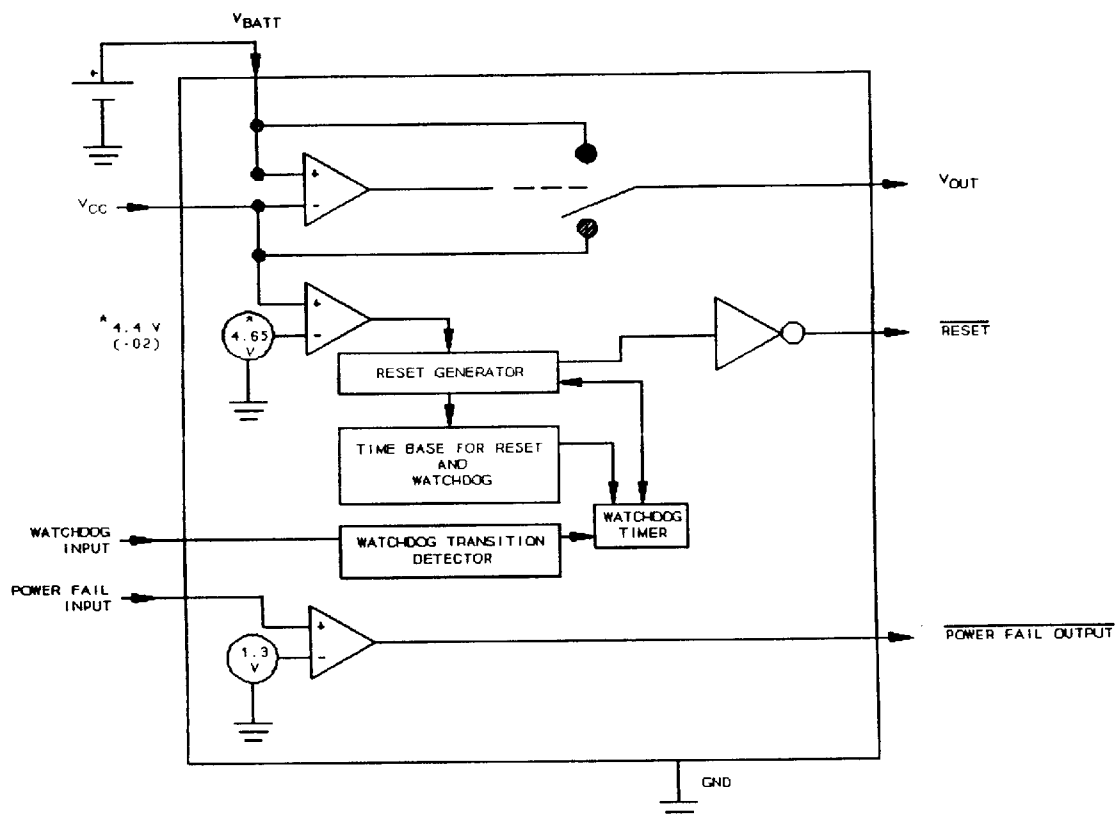


FIGURE 2. Block diagram.

STANDARD MICROCIRCUIT DRAWING DEFENSE ELECTRONICS SUPPLY CENTER DAYTON, OHIO 45444	SIZE A		5962-90712
		REVISION LEVEL C	SHEET 9

DESC FORM 193A  
 JUL 94

9004708 0006009 182

TABLE II. Electrical test requirements.

Test requirements	Subgroups (in accordance with MIL-STD-883, TM 5005, table I)	Subgroups (in accordance with MIL-I-38535, table III)	
	Device class M	Device class Q	Device class V
Interim electrical parameters (see 4.2)	1	1	1
Final electrical parameters (see 4.2)	1/ 1, 2, 3, 9, 10, 11	1/ 1, 2, 3, 9, 10, 11	1/ 1, 2, 3, 9, 10, 11
Group A test requirements (see 4.4)	1, 2, 3, 9, 10, 11	1, 2, 3, 9, 10, 11	1, 2, 3, 9, 10, 11
Group C end-point electrical parameters (see 4.4)	1	1	1
Group D end-point electrical parameters (see 4.4)	1	1	1
Group E end-point electrical parameters (see 4.4)	---	---	---

1/ PDA applies to subgroup 1.

4.2.2 Additional criteria for device classes Q and V.

- a. The burn-in test duration, test condition and test temperature, or approved alternatives shall be as specified in the device manufacturer's QM plan in accordance with MIL-I-38535. The burn-in test circuit shall be maintained under document revision level control of the device manufacturer's Technology Review Board (TRB) in accordance with MIL-I-38535 and shall be made available to the acquiring or preparing activity upon request. The test circuit shall specify the inputs, outputs, biases, and power dissipation, as applicable, in accordance with the intent specified in test method 1015.
- b. Interim and final electrical test parameters shall be as specified in table II herein.
- c. Additional screening for device class V beyond the requirements of device class Q shall be as specified in appendix B of MIL-I-38535.

4.3 Qualification inspection for device classes Q and V. Qualification inspection for device classes Q and V shall be in accordance with MIL-I-38535. Inspections to be performed shall be those specified in MIL-I-38535 and herein for groups A, B, C, D, and E inspections (see 4.4.1 through 4.4.4).

4.4 Conformance inspection. Quality conformance inspection for device class M shall be in accordance with MIL-STD-883 (see 3.1 herein) and as specified herein. Inspections to be performed for device class M shall be those specified in method 5005 of MIL-STD-883 and herein for groups A, B, C, D, and E inspections (see 4.4.1 through 4.4.4). Technology conformance inspection for classes Q and V shall be in accordance with MIL-I-38535 including groups A, B, C, D, and E inspections and as specified herein except where option 2 of MIL-I-38535 permits alternate in-line control testing.

4.4.1 Group A inspection.

- a. Tests shall be as specified in table II herein.
- b. Subgroups 4, 5, 6, 7 and 8 in table I, method 5005 of MIL-STD-883 shall be omitted.

STANDARD MICROCIRCUIT DRAWING DEFENSE ELECTRONICS SUPPLY CENTER DAYTON, OHIO 45444	SIZE A		5962-90712
		REVISION LEVEL C	SHEET 10

DESC FORM 193A  
JUL 94

■ 9004708 0006010 974 ■

4.4.2 Group C inspection. The group C inspection end-point electrical parameters shall be as specified in table II herein.

4.4.2.1 Additional criteria for device class M. Steady-state life test conditions, method 1005 of MIL-STD-883:

- a. Test condition A, B, C, or D. The test circuit shall be maintained by the manufacturer under document revision level control and shall be made available to the preparing or acquiring activity upon request. The test circuit shall specify the inputs, outputs, biases, and power dissipation, as applicable, in accordance with the intent specified in test method 1005.
- b.  $T_A = +125^\circ\text{C}$ , minimum.
- c. Test duration: 1,000 hours, except as permitted by method 1005 of MIL-STD-883.

4.4.2.2 Additional criteria for device classes Q and V. The steady-state life test duration, test condition and test temperature, or approved alternatives shall be as specified in the device manufacturer's QM plan in accordance with MIL-I-38535. The test circuit shall be maintained under document revision level control by the device manufacturer's TRB, in accordance with MIL-I-38535, and shall be made available to the acquiring or preparing activity upon request. The test circuit shall specify the inputs, outputs, biases, and power dissipation, as applicable, in accordance with the intent specified in test method 1005.

4.4.3 Group D inspection. The group D inspection end-point electrical parameters shall be as specified in table II herein.

4.4.4 Group E inspection. Group E inspection is required only for parts intended to be marked as radiation hardness assured (see 3.5 herein). RHA levels for device classes Q and V shall be M, D, F, G, L, R, and H and for device class M shall be M and D.

- a. End-point electrical parameters shall be as specified in table II herein.
- b. For device class M, the devices shall be subjected to radiation hardness assured tests as specified in MIL-I-38535, appendix A, for the RHA level being tested. For device classes Q and V, the devices or test vehicle shall be subjected to radiation hardness assured tests as specified in MIL-I-38535 for the RHA level being tested. All device classes must meet the postirradiation end-point electrical parameter limits as defined in table I at  $T_A = +25^\circ\text{C} \pm 5^\circ\text{C}$ , after exposure, to the subgroups specified in table II herein.
- c. When specified in the purchase order or contract, a copy of the RHA delta limits shall be supplied.

5. PACKAGING

5.1 Packaging requirements. The requirements for packaging shall be in accordance with MIL-STD-883 (see 3.1 herein) for device class M and MIL-I-38535 for device classes Q and V.

6. NOTES

6.1 Intended use. Microcircuits conforming to this drawing are intended for use for Government microcircuit applications (original equipment), design applications, and logistics purposes.

6.1.1 Replaceability. Microcircuits covered by this drawing will replace the same generic device covered by a contractor-prepared specification or drawing.

6.1.2 Substitutability. Device class Q devices will replace device class M devices.

6.2 Configuration control of SMD's. All proposed changes to existing SMD's will be coordinated with the users of record for the individual documents. This coordination will be accomplished in accordance with MIL-STD-973 using DD Form 1692, Engineering Change Proposal.

6.3 Record of users. Microcircuit and industrial users shall inform Defense Electronics Supply Center when a system application requires configuration control and which SMD's are applicable to that system. DESC will maintain a record of users and this list will be used for coordination and distribution of changes to the drawings. Users of drawings covering microelectronic devices (FSC 5962) should contact DESC-EC, telephone (513) 296-6047.

6.4 Comments. Comments on this drawing should be directed to DESC-EC, Dayton, Ohio 45444-5270, or telephone (513) 296-5377.

<b>STANDARD MICROCIRCUIT DRAWING DEFENSE ELECTRONICS SUPPLY CENTER DAYTON, OHIO 45444</b>	<b>SIZE A</b>		<b>5962-90712</b>
		<b>REVISION LEVEL C</b>	<b>SHEET 11</b>

DESC FORM 193A  
JUL 94

9004708 0006011 830

6.5 Abbreviations, symbols, and definitions. The abbreviations, symbols, and definitions used herein are defined in MIL-I-38535 and MIL-STD-1331.

6.6 One part - one part number system. The one part - one part number system described below has been developed to allow for transitions between identical generic devices covered by the three major microcircuit requirements documents (MIL-H-38534, MIL-I-38535, and 1.2.1 of MIL-STD-883) without the necessity for the generation of unique PIN's. The three military requirements documents represent different class levels, and previously when a device manufacturer upgraded military product from one class level to another, the benefits of the upgraded product were unavailable to the Original Equipment Manufacturer (OEM), that was contractually locked into the original unique PIN. By establishing a one part number system covering all three documents, the OEM can acquire to the highest class level available for a given generic device to meet system needs without modifying the original contract parts selection criteria.

<u>Military documentation format</u>	<u>Example PIN under new system</u>	<u>Manufacturing source listing</u>	<u>Document listing</u>
New MIL-H-38534 Standard Microcircuit Drawings	5962-XXXXZZ(H or K)YY	QML-38534	MIL-BUL-103
New MIL-I-38535 Standard Microcircuit Drawings	5962-XXXXZZ(Q or V)YY	QML-38535	MIL-BUL-103
New 1.2.1 of MIL-STD-883 Standard Microcircuit Drawings	5962-XXXXZZ(M)YY	MIL-BUL-103	MIL-BUL-103

6.7 Sources of supply.

6.7.1 Sources of supply for device classes Q and V. Sources of supply for device classes Q and V are listed in QML-38535. The vendors listed in QML-38535 have submitted a certificate of compliance (see 3.6 herein) to DESC-EC and have agreed to this drawing.

6.7.2 Approved sources of supply for device class M. Approved sources of supply for class M are listed in MIL-BUL-103. The vendors listed in MIL-BUL-103 have agreed to this drawing and a certificate of compliance (see 3.6 herein) has been submitted to and accepted by DESC-EC.

<b>STANDARD MICROCIRCUIT DRAWING DEFENSE ELECTRONICS SUPPLY CENTER DAYTON, OHIO 45444</b>	<b>SIZE A</b>		<b>5962-90712</b>
		<b>REVISION LEVEL C</b>	<b>SHEET 12</b>

DESC FORM 193A  
JUL 94

■ 9004708 0006012 777 ■

47843