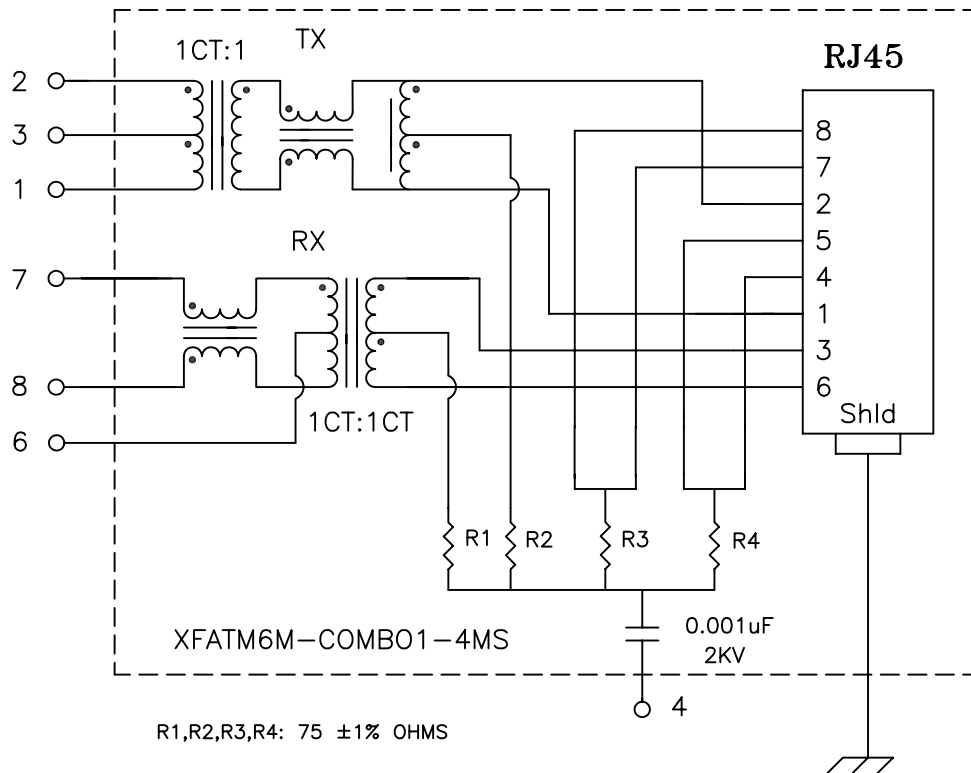


Schematic:



Electrical Specifications: @25°C

Isolation Voltage: 1500 Vrms (INPUT to OUTPUT)
 Isolation Voltage: 500 Vrms (6+7+8 to 1+2+3)
 TURNS RATIO: TX 1CT:1 ±5% RX 1CT:1CT ±5%
 OCL: 350uH Minimum @100KHz 100mV 8mADC
 Q: 18 Min @100KHz 100mV
 Insertion Loss (300KHz-100MHz): -1.0dB Typical
 Return Loss: 30MHz -16dB Typical
 60MHz -12dB Typical
 80MHz -10dB Typical
 CROSSTALK: 32MHz -40dB Minimum
 62MHz -35dB Minimum
 100MHz -35dB Minimum

Notes:

1. Solderability: Leads shall meet MIL-STD-202G, Method 208H for solderability.
2. Flammability: UL94V-0
3. ASTM oxygen index: > 28%
4. UL Recognized Component: File Number E200238
5. Operating Temperature Range: All listed parameters are to be within tolerance from 0°C to 70°C
6. Storage Temperature Range: -55°C to +125°C
7. Aqueous wash compatible
8. Electrical and mechanical specifications 100% tested
9. RoHS Compliant Component

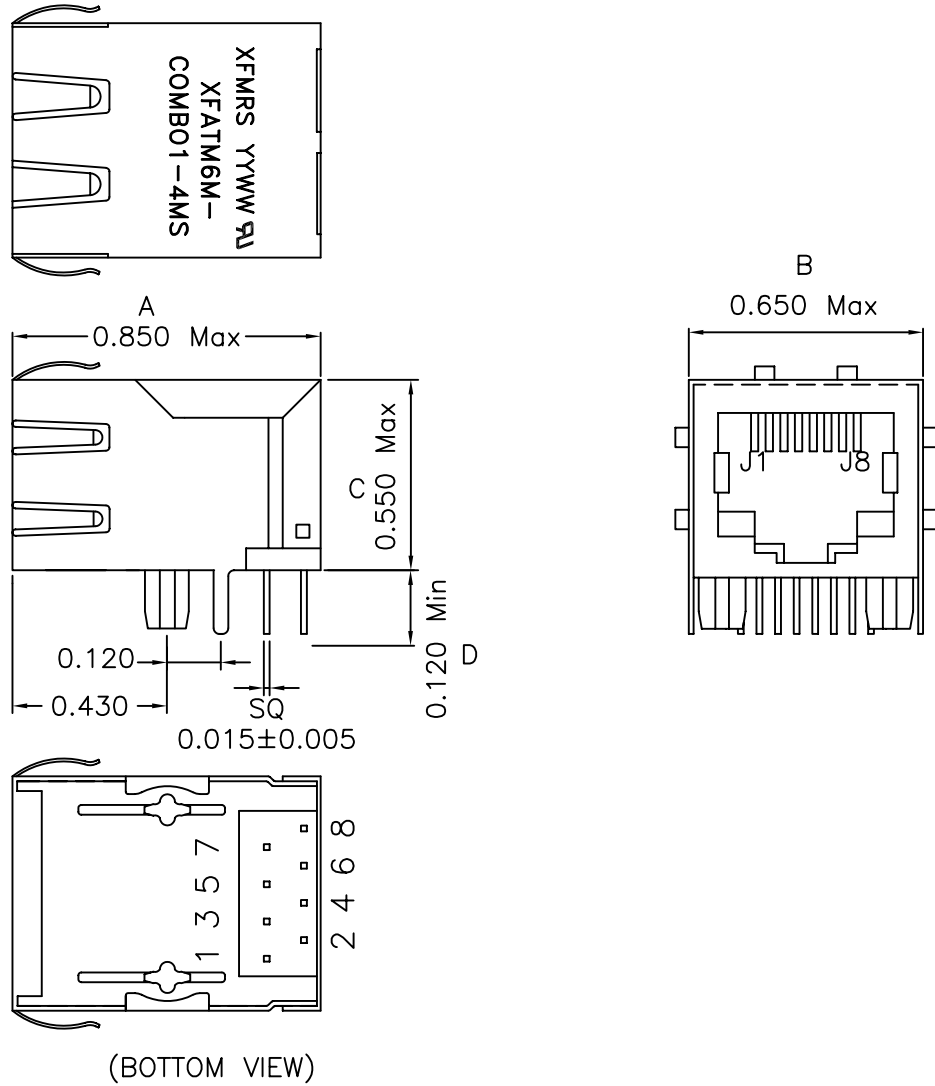
DOC. REV: A/5

PROPRIETARY:

Document is the property of XFMRs Group & is not allowed to be duplicated without authorization.

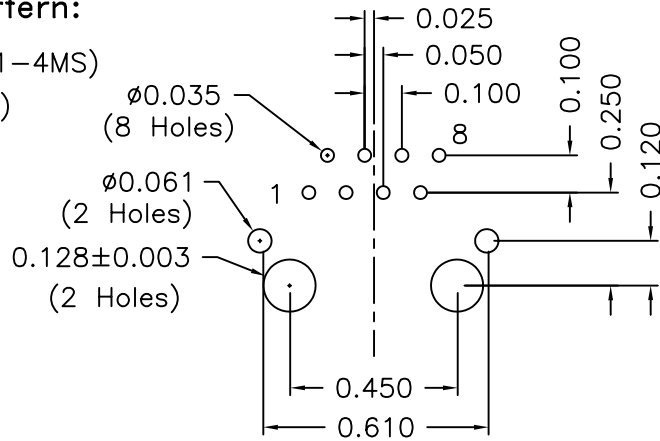
XFMRs Inc. www.XFMRs.com		Title: SINGLE PORT COMBO	
		P/N: XFATM6M-COMBO1-4MS	
UNLESS OTHERWISE SPECIFIED		REV. A	
TOLERANCES:		DWN.	Mei Chen
.xxx ±0.010		CHK.	YK Liao
Dimensions in Inch		APP.	BW
SHEET 1 OF 2		Dec-07-10	

Mechanical Dimensions:



Mounting Pattern:

(FOR COMBO1-4MS)
(COMP SIDE)



DOC REV: A/5

XFMRS Inc.
www.XFMRS.com

Title: Mechanical Dimensions
For COMBO1-4MS Series

UNLESS OTHERWISE SPECIFIED

P/N: XFATM6M-COMBO1-4MS

REV. A

TOLERANCES:

.xxx ±0.010

Dimensions in Inch

DWN.

Mei Chen

Dec-07-10

CHK.

YK Liao

Dec-07-10

SHEET 2 OF 2

APP.

BW

Dec-07-10

PROPRIETARY:

Document is the property of XFMRS Group & is not allowed to be duplicated without authorization.