

AC-DC Power Supplies

VEG120A-190X (120 WATTS)

(PRELIMINARY INFORMATION)

DESCRIPTION :

The purpose of this document is to specify is to the functional requirements of a 120W continuous, universal input, constant voltage an switching adapters.

FEATURES :

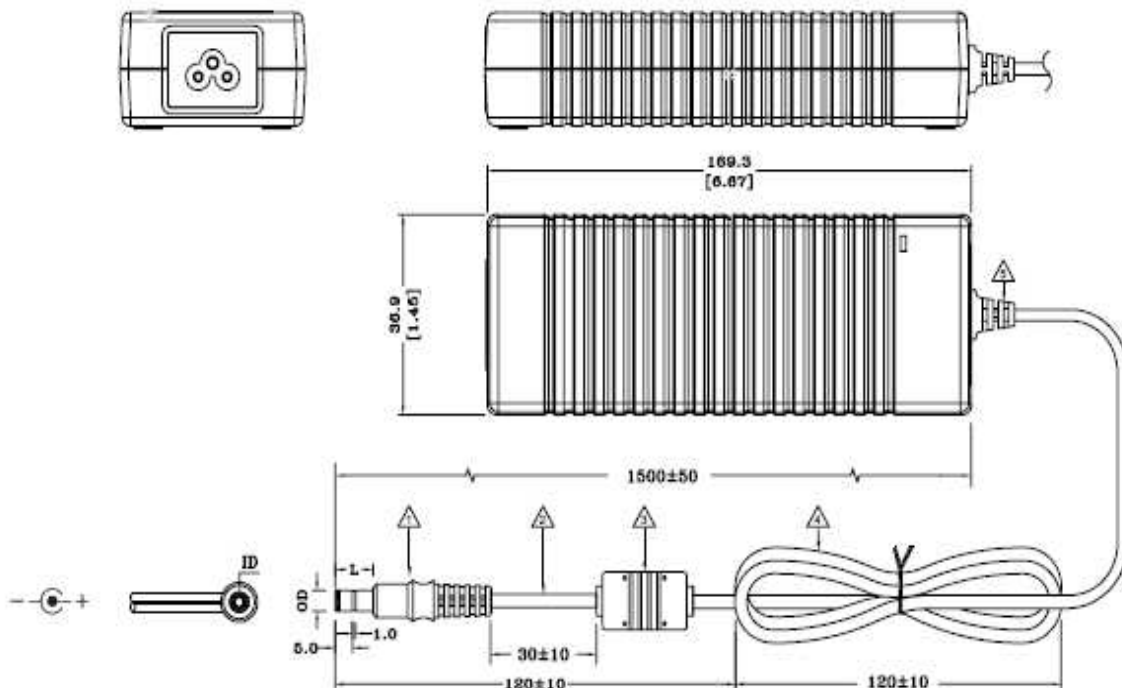
- Two different types IEC C6, C8 inlet socket
- Wide range AC voltage input
- Constant current output built-in
- Level B EMI filter
- Fully enclosed plastic case
- Fully regulated output
- High efficiency
- High Quality
- 90-264VAC
- Output Power 120 Watt
- Output Voltage 16~24 Vdc (different modules)



TEMPERATURE & HUMIDITY :

- Operating Temperature Range 0°C ~ +40°C
- Storage Temperature Range -20°C ~ +85°C
- Humidity 95 %RH max

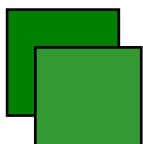
DIMENSIONS : L x W x H 169 x 37 x 29.6 mm



Power Systems – The Power Solution

Web: www.Power-Systems.de
 Email: Info@Power-Systems.de

Address: Hauptstr. 48 ; 74360 Illfeld-Auenstein / Germany
 Tel. : + 49 / 70 62 / 67 59 - 6
 Fax: + 49 / 70 62 / 67 59 - 800



AC-DC Power Supplies

VEG120A-190X (120 WATTS)

(PRELIMINARY INFORMATION)

ELECTRICAL CHARACTERISTICS :

INPUT:

Voltage: 90-264VAC (wide range)
 Current : 2.0 Arms Max.
 Frequency: 47-63Hz
 Inrush Current: 10A
 Efficiency: 85%

OUTPUT:

Voltage: +19V
 Regulation: 5%
 Power (Po): 120W max
 Load: 6.32A max
 Frequency: 100Hz to 1kHz
 Duty cycle: 50%
 Recovery Time: <=1mS
 Rise Time: 50mS 5% to 95% output V
 50% max load & nominal
 input V
 Overshoot: 10% max
 Hold up Time: 8mS min at 115 Vac
 or 230 Vac input
 Ripple: 200 mVp-p
 Ripple+ Noise: 280 Vp-p

O/P Voltage	Regulation	Load max	max Power	Ripple	Ripple+Noise
16V>19V>24V	+/-5%	6.32A	120W	200mVp-p	280mVp-p

SAFETY:

UL
 CE



Power Systems – The Power Solution

Web: www.Power-Systems.de
 Email: Info@Power-Systems.de

Address: Hauptstr. 48 ; 74360 Ilsfeld-Auenstein / Germany
 Tel. : + 49 / 70 62 / 67 59 - 6
 Fax: + 49 / 70 62 / 67 59 - 800