



Description

PT2461 and PT2462 are remote control transmitters utilizing CMOS Technology specially designed for infrared applications. They are compatible with LC7461M and LC7462M respectively and are capable of controlling 32 function keys and 3 double keys. PT2461 is housed in 24 pins, SO or DIP Package and provides 13 bits Custom Code while PT2462 is available in 20 pins, SO or DIP Package and provides 8 bits of Custom Code.

Features

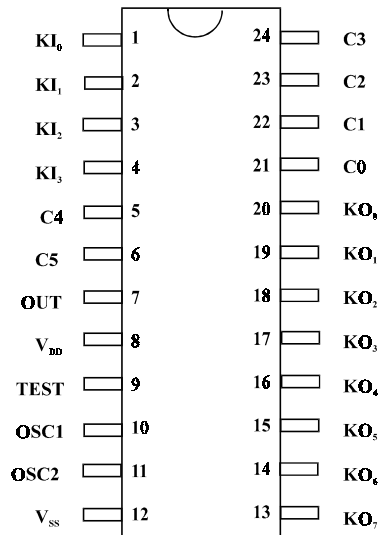
- CMOS Technology
- Low Power Consumption
- Least External Components
- 32 ⊕ 3 Function Keys
- Wide Range of Operating Voltage : $V_{DD} = 1.8 \sim 5.5 \text{ V}$
- Double Key Operation (No order of priority given)
- On-Chip Oscillator can be constructed using an externally connected ceramic resonator
- PT2461 provides 13 bits Custom Code while PT2462 provides 8 bits Custom Code
- Using SEL Pin, PT2462 provides 2 custom code options.
- Up to 64 Custom Codes may be selected externally for PT2461

Applications

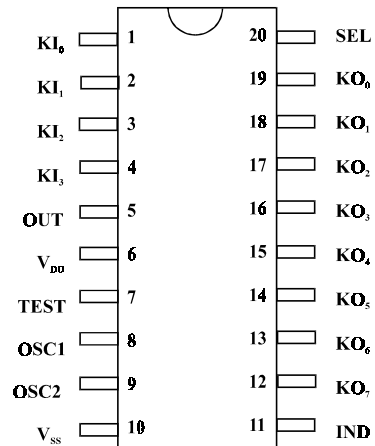
- Multi-Media DVD Player
 - Moniputer
 - Audio Equipment
 - Televisions (TVs)
 - Video Cassette Recorders (VCRs)
 - Audio Cassette Decks
 - Air Conditioners
-
-



Pin Configuration



PT 2461

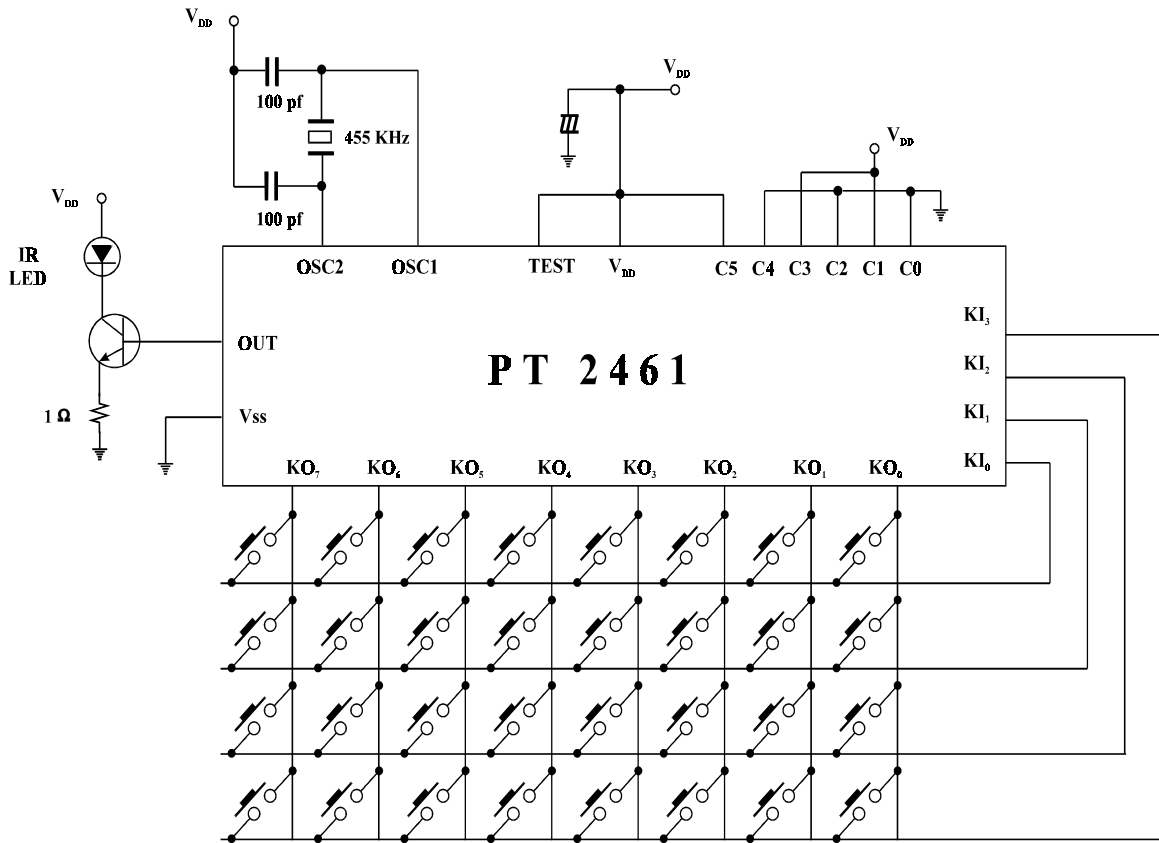


PT 2462

PT2461 / PT2462 Pin Configurations



Application Circuits



PT2461 Application Circuit Diagram

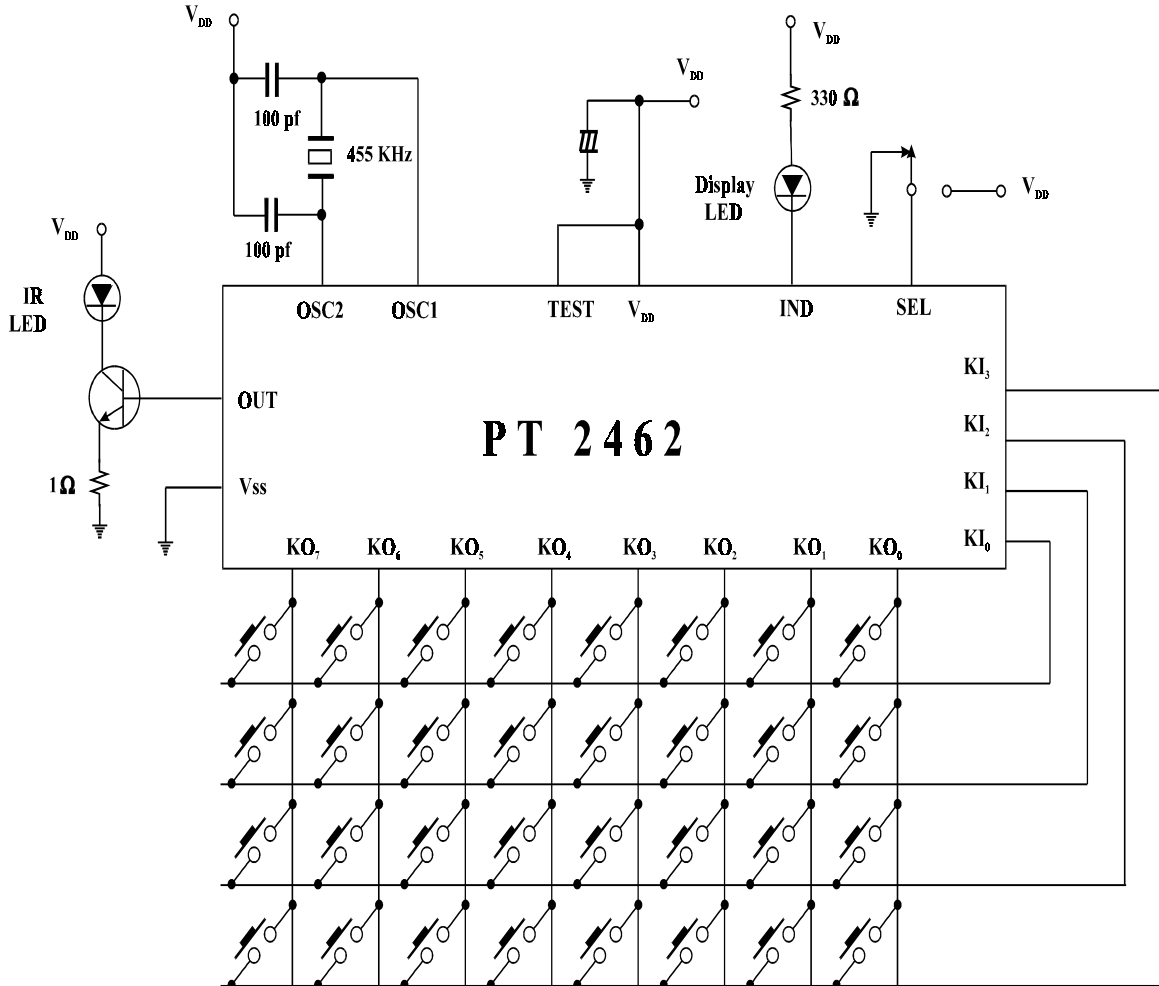
In this Application Circuit, the Custom Codes -- C0 ~ C5 -- have the following values :

Custom Code	Value
C0	0
C1	1
C2	0
C3	1
C4	0
C5	1



Infrared Remote Control Transmitters

PT2461/2



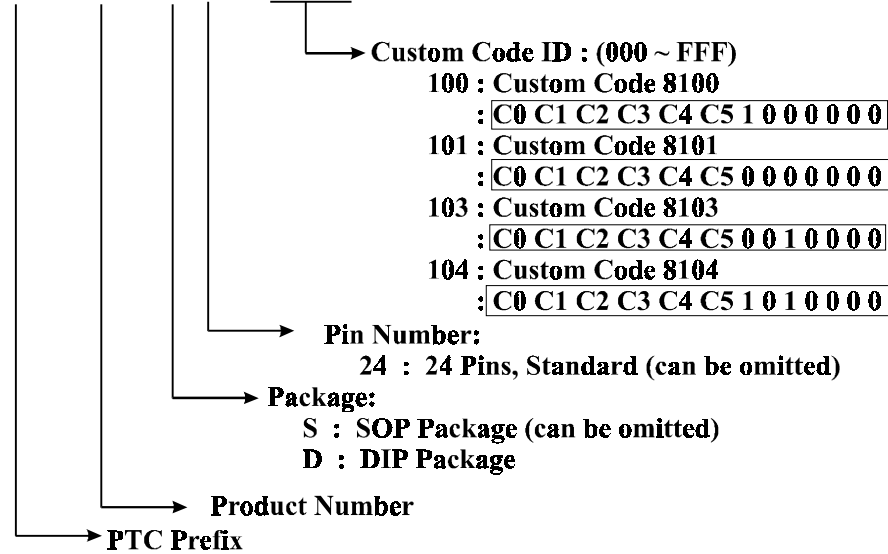
PT2462 Application Circuit Diagram



Ordering Information

Valid Part Number	Package	Valid Part Number	Package
PT2461-100	24 Pins, SO	PT2462-167	20 Pins, SO
PT2461-101	24 Pins, SO		
PT2461-103	24 Pins, SO		
PT2461-104	24 Pins, SO		

PT 2461 - X X - CCC



PT 2462 - X X - CCC

