

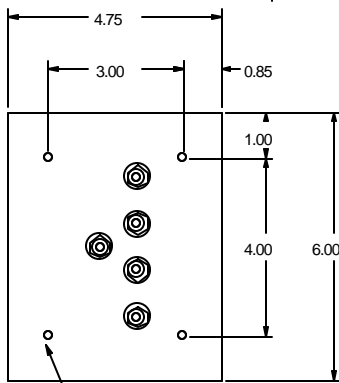
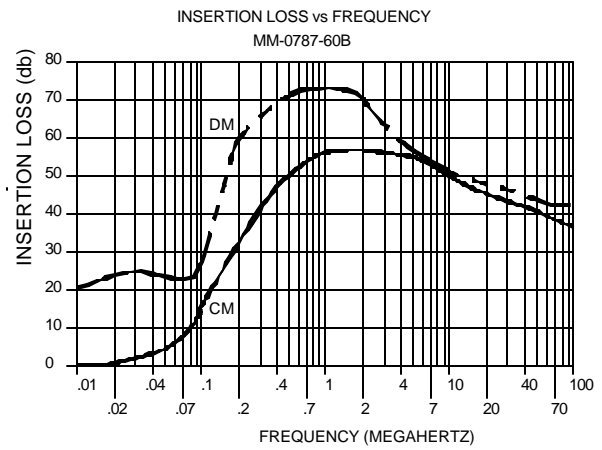
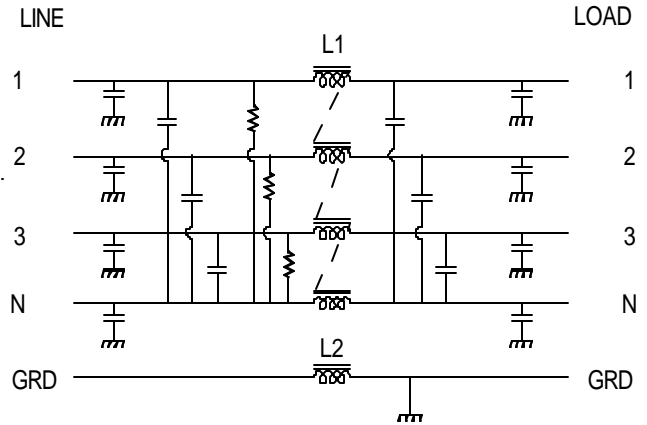


MM-0787-60B

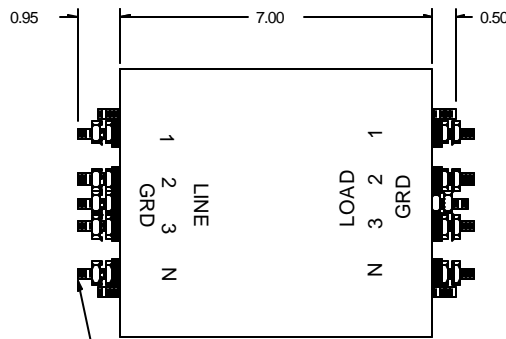
Operating Voltage = 250/480 V~, 50 / 60 Hz
 Operating Voltage = 125/208 V~, 50 - 400 Hz
 Operating Current = 60 A / Phase
 Temperature Range = -20 TO 50 Deg. C
 Diel. Withstand (L-CASE) = 1500 V~ FOR 1 MIN.
 Diel. Withstand (L-L) = 1500 Vdc For 1 Min.
 Leakage Current = 2.2 ma @ 250 V~, 60 Hz
 Discharge Volt after 1.0 second = 24 V Max.
 Maximum Capacitance each line to case = 0.016 i F

Order P/N: MM-0787-60B

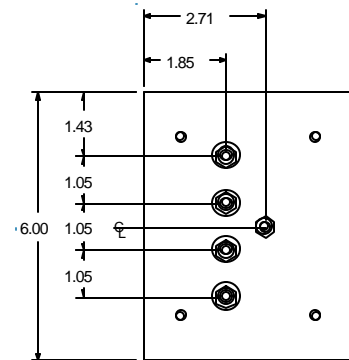
The Mm-0787-60B filter is designed for use with large computer or motor installations where heavy current is drawn continuously. This filter can handle large in-rush current typical of modern power supplies. When data lines or power is shared with other systems the ground coil helps breakup ground loops which can cause system errors and also increase conducted RF emissions.



1/4-20 UNC MOUNTING STUD (8 PL)



1/4-20UNC TH'D TERMINAL (10 PL)
(.75 DIA BUSHING)



USA JMK Inc 15 Caldwell Dr. Amherst, NH 03031 PH: 603 886-4100 FX: 603 886-4115
 email: info@jmkfilters.com
 EUR JMK Inc Glasgow G13 1DN Scotland UK PH: 44-(0) 7785310729 FX: 44-(0) 141 589 1884