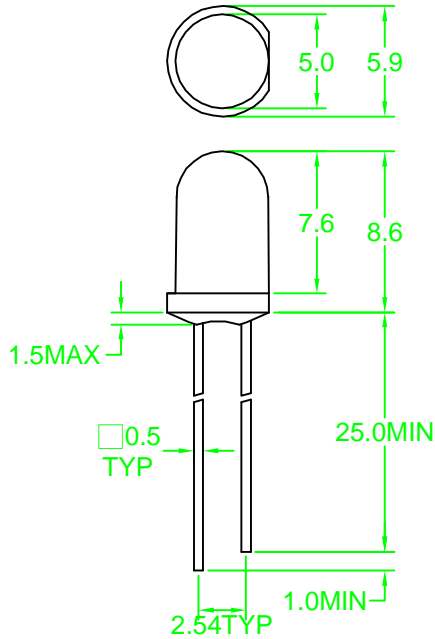




Package Dimension



Note:1.All dimension are in millimeter tolerance is $\pm 0.25\text{mm}$ unless otherwise noted
2.Specifications are subject to change without notice

Features

- Built-in IC chip flashes lamps on and off to attract attention
- Pulse rate 2.4Hz
- T-1 size
- 1 inch leads
- Large full flood radiating area
- IC compatible

Description

The LFI3360-PF series is a solid state lamp with a red diffused plastic lens
The built-in IC flashes the lamp on/off and can be driven directly by standard TTL and CMOS circuit eliminating the need for external switching circuitry

• Part Selection And Application Information (Ratings At 25°C Ambient)

PART NO	MATERIAL	COLOR		Peak wave length λ Pnm	Spectral halfwidth $\Delta \lambda$ nm	Pulse rate(Hz) volt=5v		Luminous intensity volt=5v(mcd)		Operating voltage	
		Emitted	Lens			Min.	Max.	Min.	Typ.	Min.	Max.
LFI3360-PF	GaAsP/ GaP	Orange	Red Diffused	635	45	2.0	3.0	6.0	10	3.0	12

• Absolute Maximum Rating (Ta=25°C)

PARAMETER	RED			GREEN			YELLOW			ORANGE		UNIT	REMARK
										I			
Peak Current (1/4) Duty cycle										60		mA	
Operating Voltage										15		V	
Reverse Voltage										0.4		V	
Operating Temperature	0°C TO +85°C												
Storage Temperature	-20°C TO +85°C												



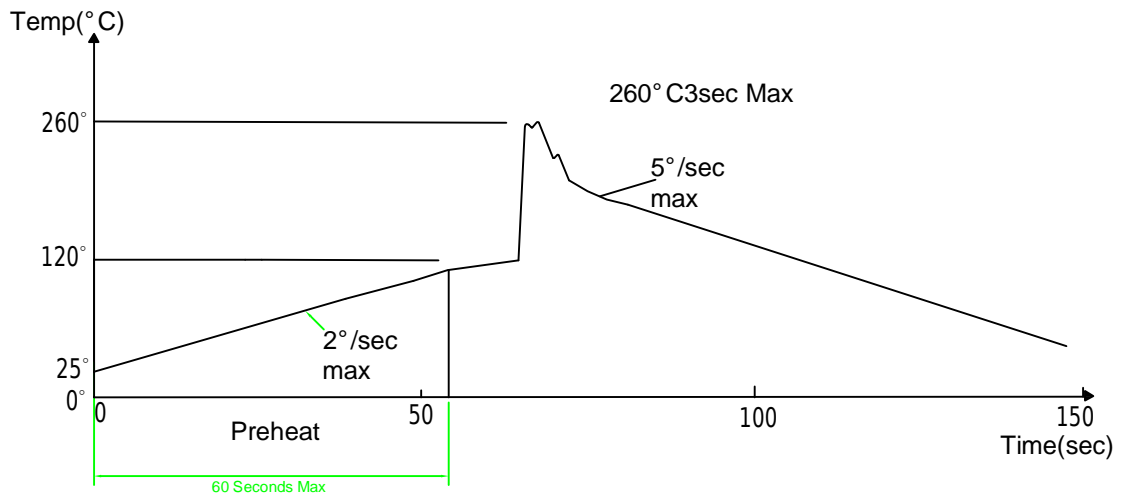
Soldering Condition(Pb-Free)

1.Iron:

- Soldering Iron:30W Max
- Temperature 350° C Max
- Soldering Time:3 Seconds Max(One Time)
- Distance:2mm Min(From solder joint to body)

2.Wave Soldering Profile

- Dip Soldering
- Preheat: 120° C Max
- Preheat time: 60seconds Max
- Ramp-up
- 2° C/sec(max)
- Ramp-Down:-5° C/sec(max)
- Solder Bath:260° C Max
- Dipping Time:3 seconds Max
- Distance:2mm Min(From solder joint to body)





LIGITEK

LIGITEK ELECTRONICS CO.,LTD.
Property of Ligitek Only

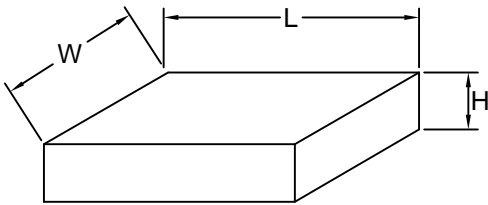
PACKING SPECIFICATION

1.500 PCS / BAG



2. 8 BAG / INNER BOX

SIZE : L X W X H 33.5cm X 19cm X 7.5cm



3. 12 INNER BOXES / CARTON

SIZE : L X W X H 58.5cm X 34cm X 34cm

