

DESCRIPTION

The LD1207 is specifically designed for LED and LED DISPLAY drivers.

The LD1207 have 12/9 segment output lines, 7 to 4 grid output lines, one display memory, control circuit and 3 line serial data interface.

This function are all incorporated into a single chip to build a highly reliable peripheral device for a single chip microcomputer. It is very convenience to control for numeric display.

LD1207's pin assignments and application circuit are optimized for easy PCB Layout and cost saving advantages.

FEATURES

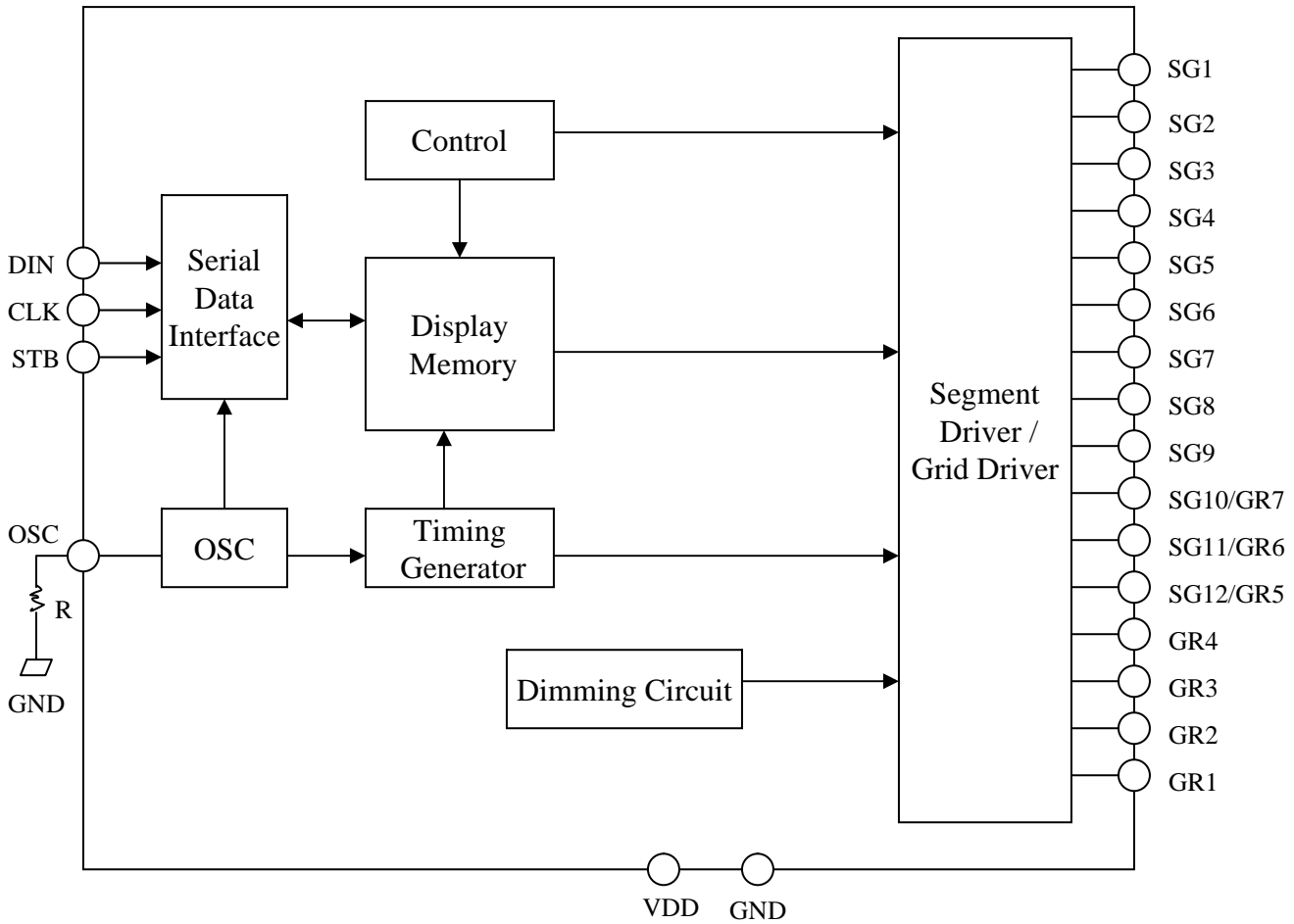
- CMOS Technology
- Segment output line selection by command : 12 ~ 9
- Grid output line selection by command : 7 ~ 4
- Operation voltage : 5V
- Low Power Consumption
- 8-Step Dimming control by command
- Serial Interface for Clock, Data Input, Strobe Pins
- 24-pin, SOP Package

APPLICATION

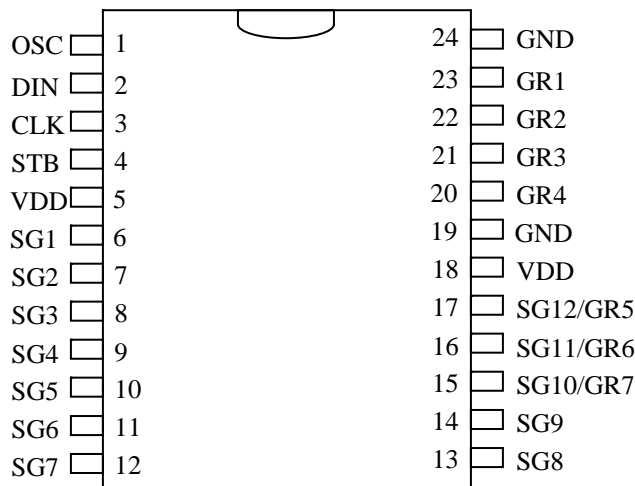
- Segment LED display : VCR, DVD, MWO

www.DataSheet.in

BLOCK DIAGRAM



PIN CONFIGURATION



PIN DESCRIPTION

| Pin Name | I/O | Description | Pin No. |
|----------------------|-----|--|---------|
| OSC | I | Oscillator Input Pin. A resistor is connected to this pin and GND. | 1 |
| DIN | I | Data Input Pin. This pin inputs serial data at the rising edge of the shift clock (starting from the lower bit) | 2 |
| CLK | I | Clock Input Pin. Rising edge trigger. | 3 |
| STB | I | Strobe pin for Serial Interface. The data input after the STB has fallen is processed as a command. When this pin is "HIGH", CLK is ignored. | 4 |
| VDD | - | Power Supply | 5,18 |
| SG1 to SG9 | O | Segment Output Pins(p-channel, open drain) | 6~14 |
| SG10/GR7 to SG12/GR5 | O | Segment Output Pin/ Grid Output Pin (CMOS Output) | 15~17 |
| GND | - | Ground Pin | 19,24 |
| GR4 to GR1 | O | Grid Output Pins (n-channel, open drain) | 20~23 |

FUNCTIONAL DESCRIPTION

Commands

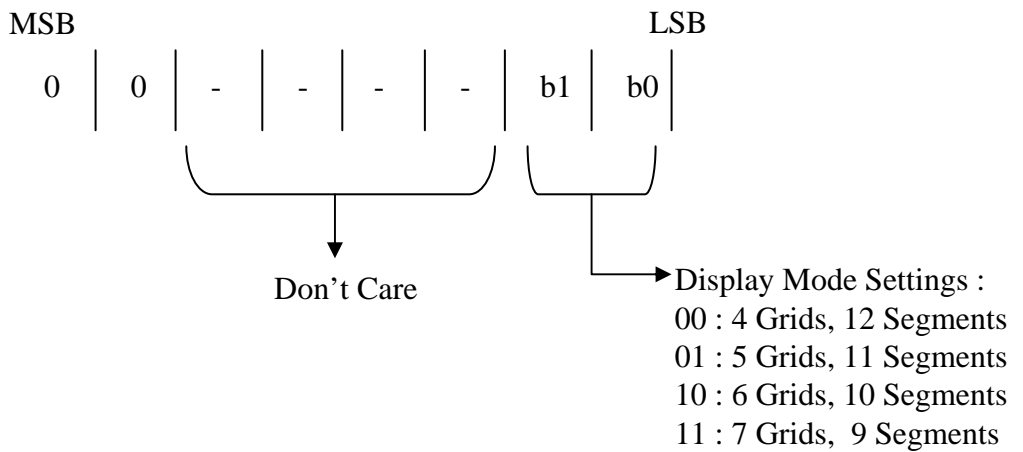
A command is the first byte (b0 to b7) inputted to LD1207 via DIN Pin after STB Pin has changed from "HIGH" to "LOW" state. If for some reason the STB Pin is set "HIGH" while data or commands are being transmitted, the serial communication is initialized, and the data/commands being transmitted are considered invalid.

COMMAND 1 : DISPLAYMODE SETTING COMMANDS

LD1207 provides 4 display mode setting as shown in the diagram below: As stated earlier a command is the first one byte(b0 to b7) transmitted to LD1207 via the DIN Pin when STB is "LOW". However, for these commands, Bit No.3 to Bit No.6(b2 to b5) are ignored, Bit No.7 & Bit No.8(b6 to b7) are given a value of "0".

The Display Mode Setting Commands determine the number of segments and grids be used (1/4 to 1/7 duty, 12 to 9 segments). When these commands are executed, the display forcibly turned off. A display command "ON" must be executed in order to resume display. If the same mode setting is selected, no command execution is take place, therefore, nothing happens.

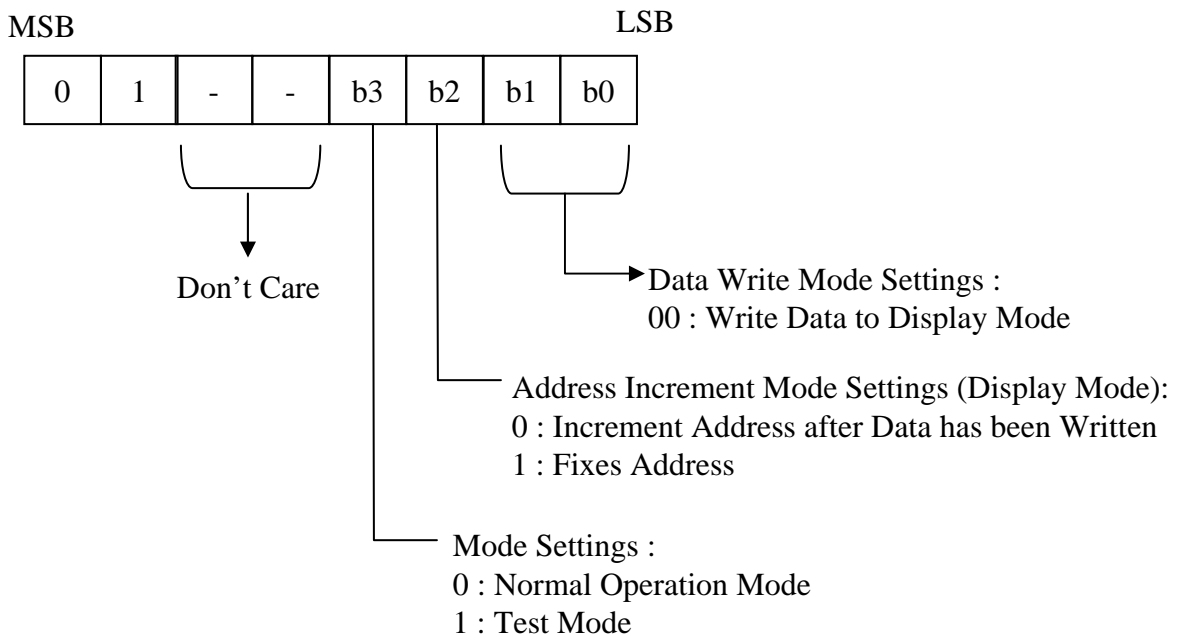
When Power is turned "ON", the 7-Grid, 9-Segment Mode is selected.



COMMAND 2 : DATA SETTING COMMANDS

The Data Setting Commands executes the Data Write Mode for LD1207. The Data Setting Command, the bits5 and 6 (b4, b5) are ignored, bit7(b6) is given the value of “1” while bit8(b7) is given the value of “0”. Please refer to the diagram below.

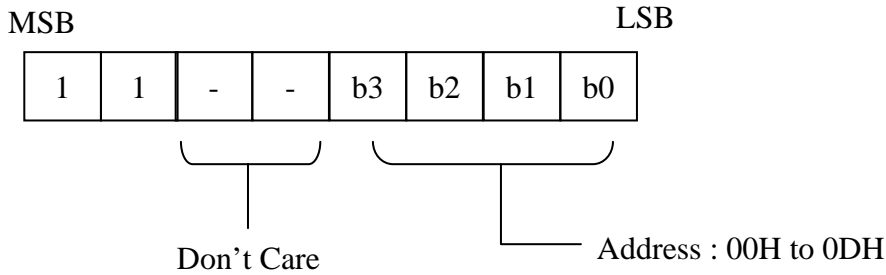
When power is turned ON, bit 4 to bit 1 (b3 to b0) are given the value of “0”.



COMMAND 3 : ADDRESS SETTING COMMANDS

Address Setting Commands are used to set the address of the display memory. The address is considered valid if it has a value of “00H” to 0DH”. If the address is set to 0EH or higher, the data is ignored until a valid address is set. When power is turned ON, the address is set at “00H”.

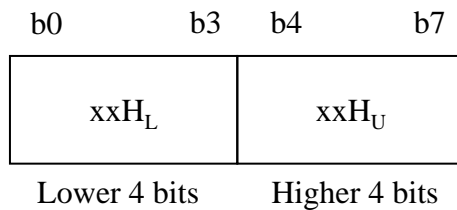
Please refer to the diagram below.



Display Mode and RAM Address

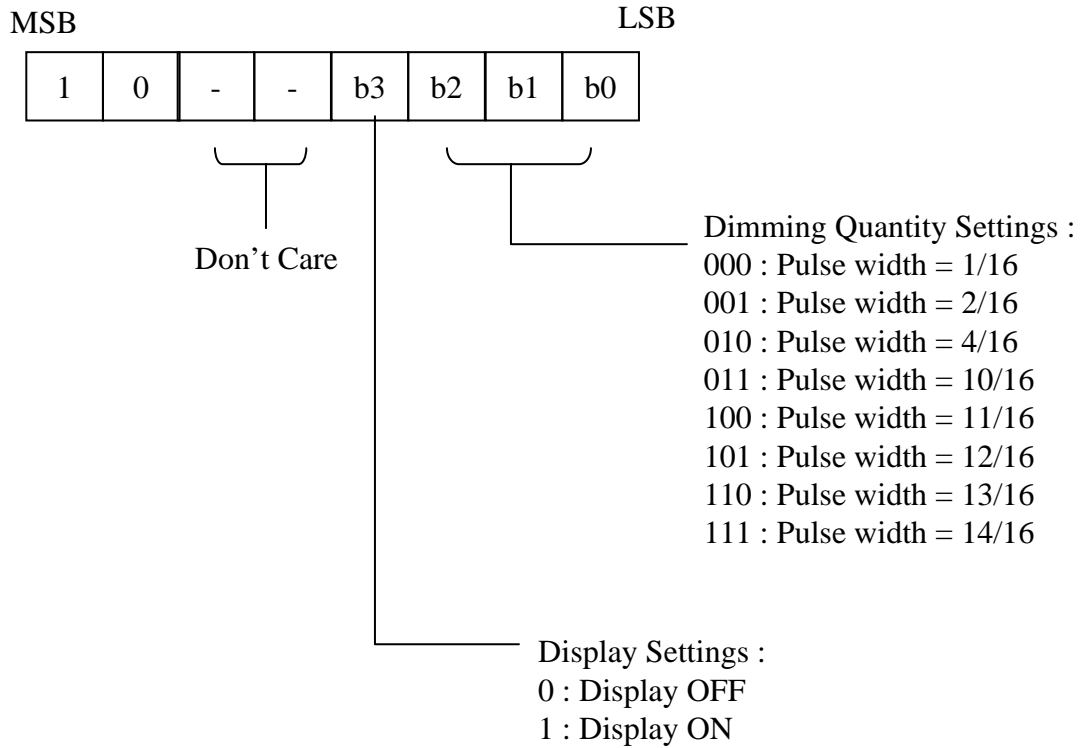
Data transmitted from an external device to LD1207 via the serial interface are stored in the Display RAM and are assigned addresses. The RAM Addresses of LD1207 are given below in 8 bit unit.

| SG1 | SG4 SG5 | SG8 SG9 | SG12 |
|------------------|------------------|------------------|------|
| 00H _L | 00H _U | 01H _L | DIG1 |
| 02H _L | 02H _U | 03H _L | DIG2 |
| 04H _L | 04H _U | 05H _L | DIG3 |
| 06H _L | 06H _U | 07H _L | DIG4 |
| 08H _L | 08H _U | 09H _L | DIG5 |
| 0AH _L | 0AH _U | 0BH _L | DIG6 |
| 0CH _L | 0CH _U | 0DH _L | DIG7 |

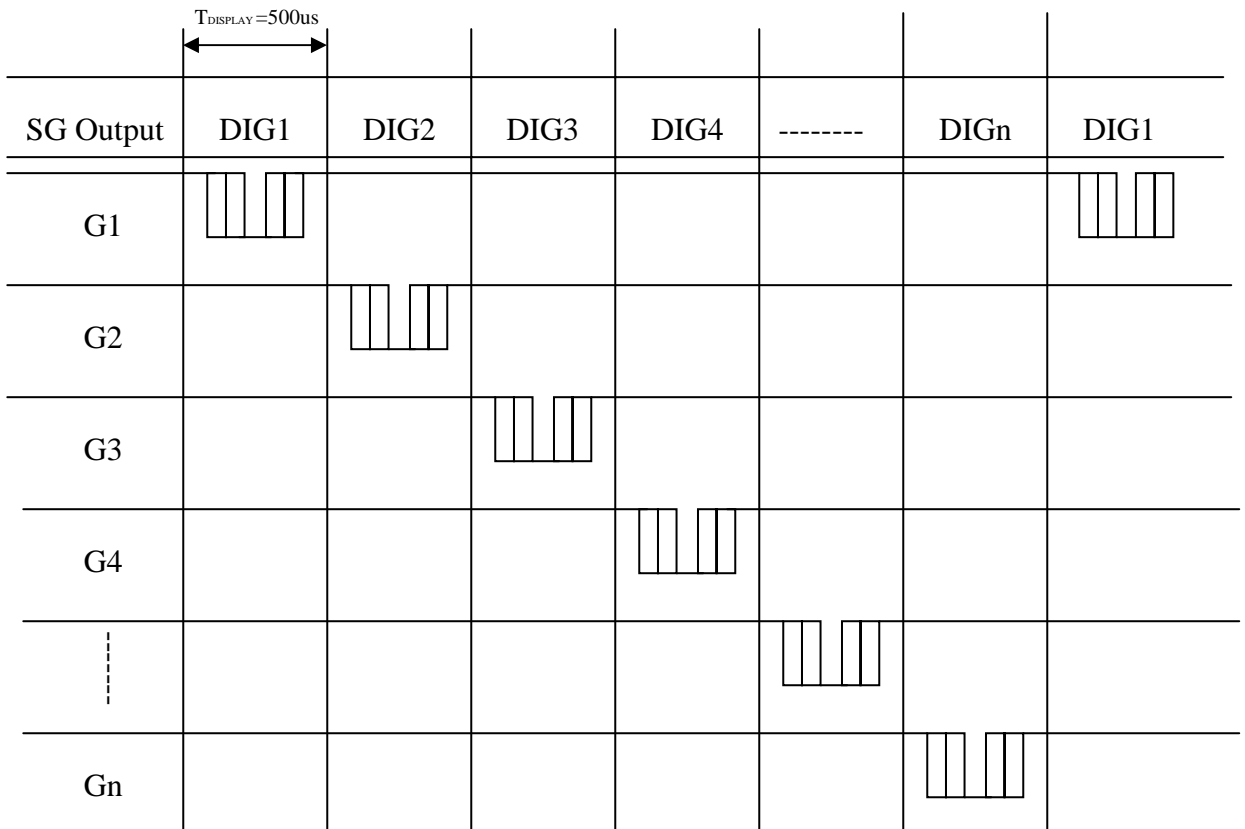


COMMAND 4 : DISPLAY CONTROL COMMANDS

The Display Control Commands are used to turn ON or OFF a display. It also used to set the pulse width. Please refer to the diagram below. When the power is turned ON, a 1/16 pulse width is selected and the displayed is turned OFF.

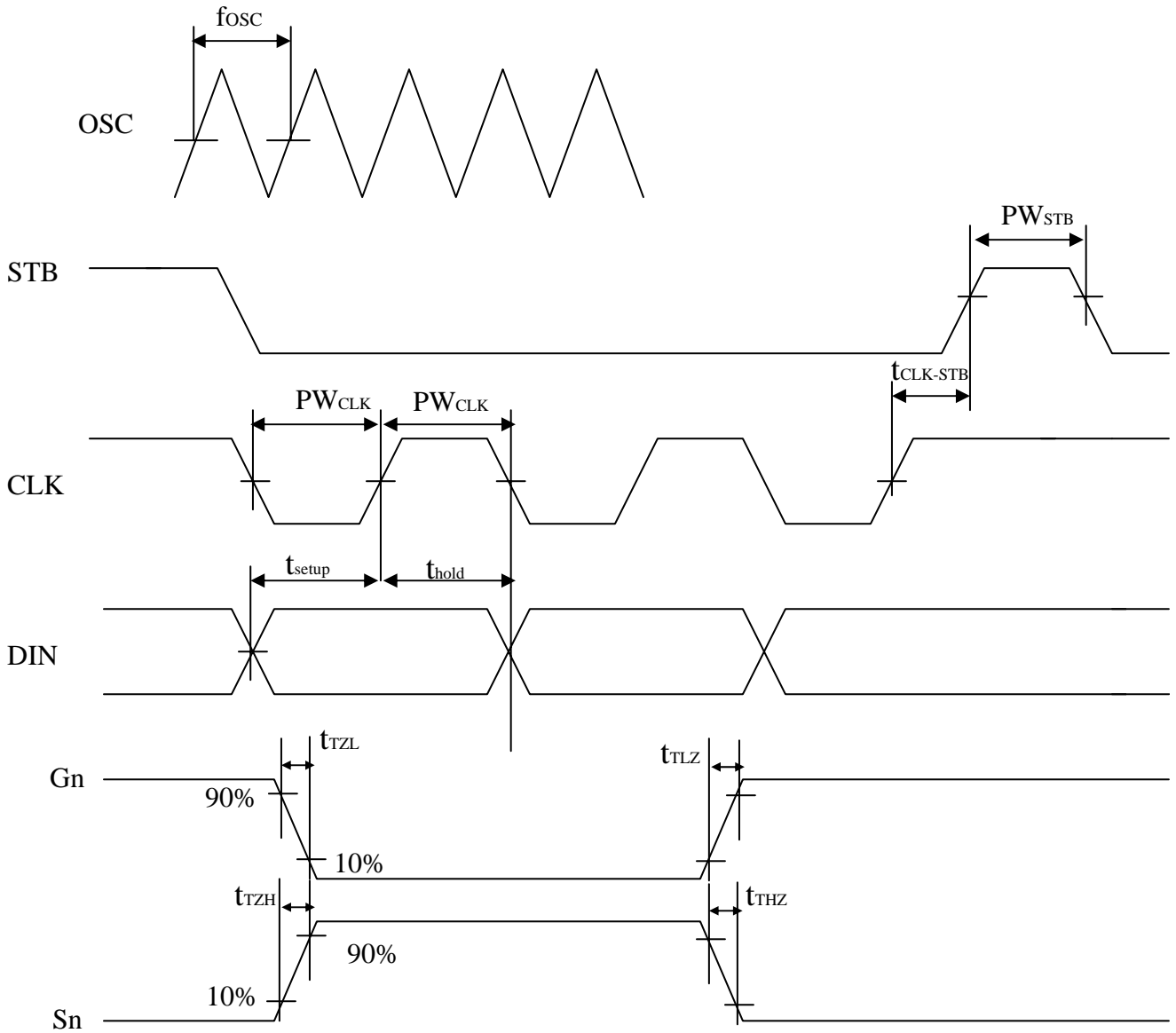


DISPLAY TIMING WAVEFORM



SWITCHING CHARACTERISTIC WAVEFORM

LD1207 Switching Characteristics Waveform is given below.



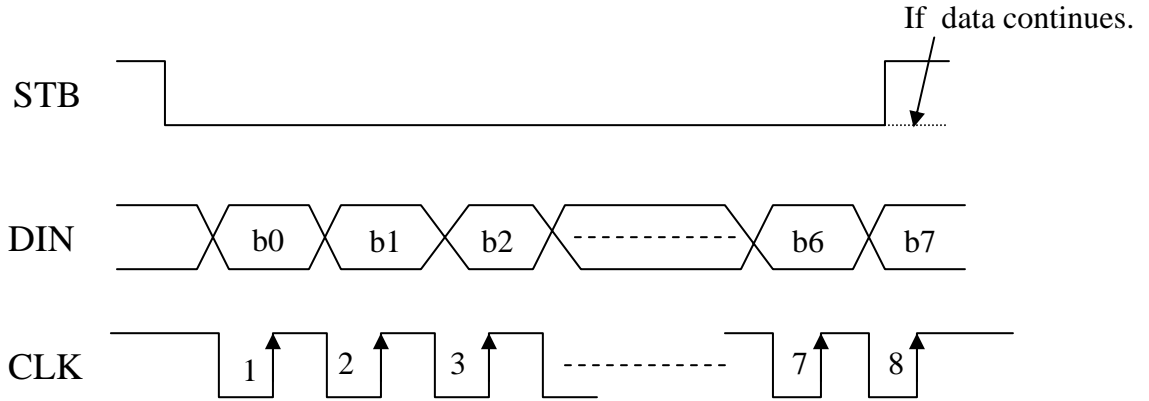
PW_{CLK} (Clock Pulse Width) $\geq 400ns$
 t_{setup} (Data Setup Time) $\geq 100ns$
 $t_{CLK-STB}$ (Clock - Strobe Time) $\geq 1\mu s$
 t_{TZH} (Rise Time) $\leq 1\mu s$
 $t_{TFL} < 1\mu s$

PW_{STB} (Strobe Pulse Width) $\geq 1\mu s$
 t_{hold} (Data Hold Time) $\geq 100ns$
 t_{THZ} (Fall Time) $\leq 10\mu s$
 f_{osc} = Oscillation Frequency
 $t_{TIZ} < 10\mu s$

SERIAL COMMUNICATION FORMAT

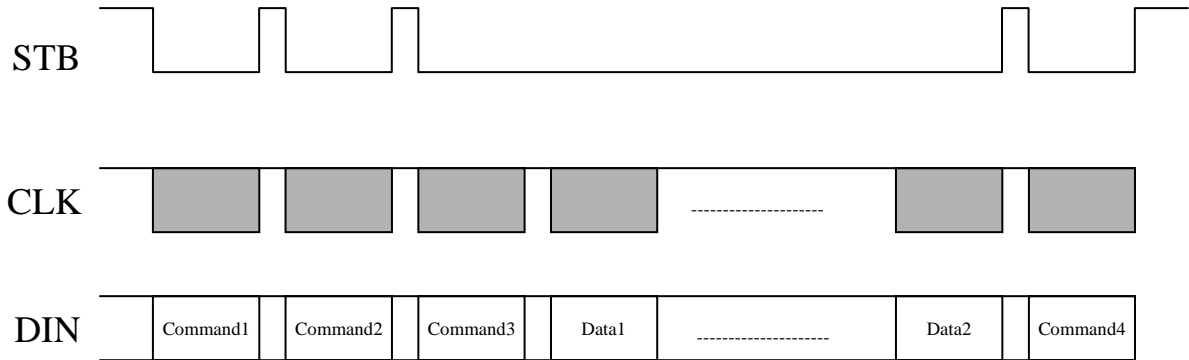
The following diagram shows the LD1207 serial communication format.

RECEPTION (Data/Command Write)



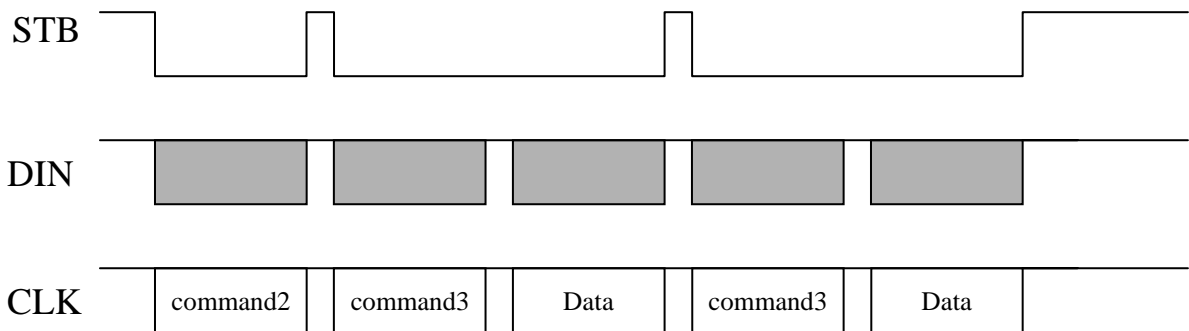
APPLICATIONS

Display memory is updated by incrementing addresses. Please refer to the following diagram.



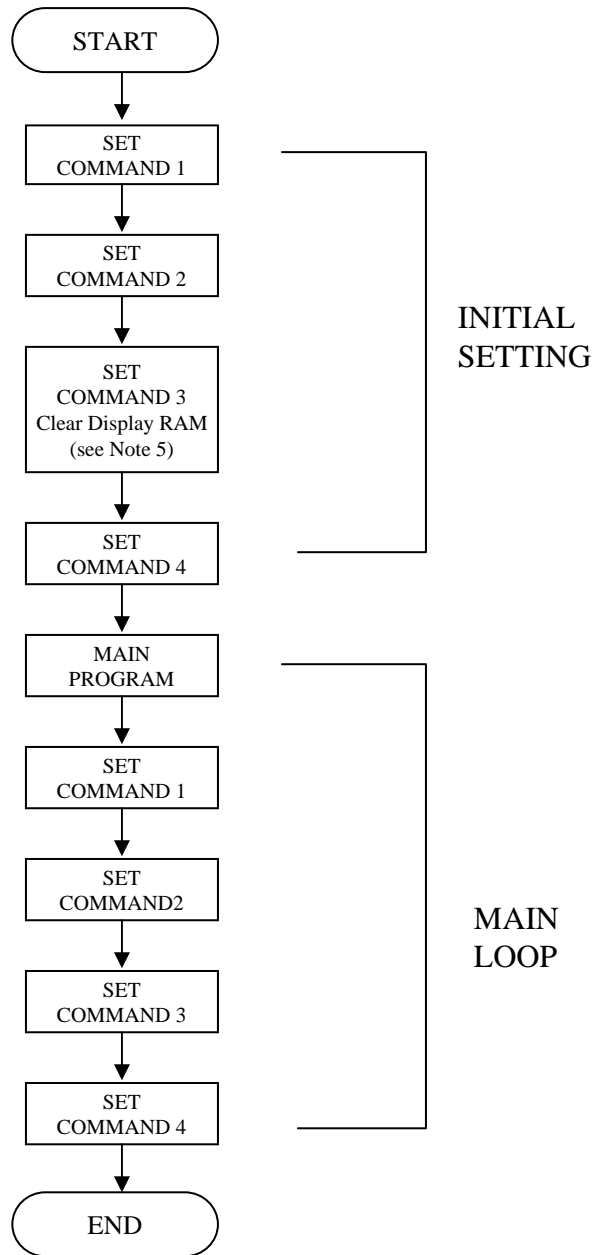
- Where : Command 1 : Display Mode Setting
- Command 2 : Data Setting Command
- Command 3 : Address Setting Command
- Data 1 to n : Transfer Display Data (14 Bytes max.)
- Command 4 : Display Control Command

The following diagram shows the waveforms when updating specific addresses.



- Where : Command 2 -- Data Setting Command
- Command 3 -- Address Setting Command
- Data -- Display Data

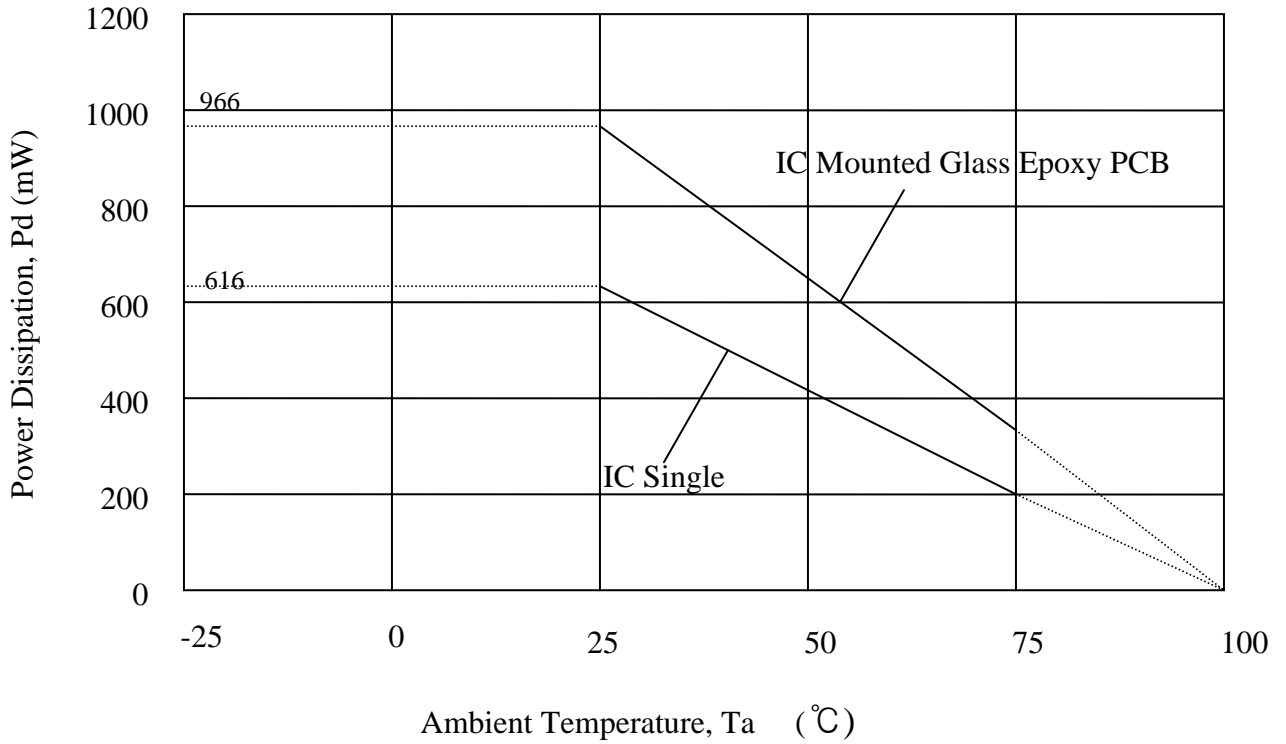
RECOMMENDED SOFTWARE PROGRAMMING FLOWCHART



- Note :
1. Command 1 : Display Mode Setting
 2. Command 2 : Data Setting Commands
 3. Command 3 : Address Setting Commands
 4. Command 4 : Display Control Commands
 5. When IC power is applied for the first time, the contents of the Display RAM are not defined : thus, it is strongly suggested that the contents of the Display RAM must be cleared during the initial setting.

SOP 24L (300 MIL) THERMAL PERFORMANCE IN STILL AIR

Junction Temperature : 100 °C



ABSOLUTE MAXIMUM RATINGS

(Unless otherwise stated, Ta=25 °C, GND=0V)

| Parameter | Symbol | Rating | Units |
|-------------------------------------|--------|-----------------|-------|
| Supply Voltage | VDD | -0.5 to +7.0 | V |
| Logic Input Voltage | VI | -0.5 to VDD+0.5 | V |
| Driver Output Current/Pin | IOLGR | +250 | mA |
| | IOHSG | -50 | mA |
| Maximum Driver Output Current/Total | ITOTAL | 400 | mA |

RECOMMENDED OPERATING RANGE

(Unless otherwise stated, Ta= -20 to +70 °C, GND=0V)

| Parameter | Symbol | Min. | Typ. | Max. | Unit |
|----------------------------|--------|--------|------|---------|------|
| Logic Supply Voltage | VDD | 4.5 | 5 | 5.5 | V |
| Dynamic Current (see Note) | IDDdyn | . | . | 5 | mA |
| High-Level Input Voltage | VIH | 0.8VDD | . | VDD | V |
| Low-Level Input Voltage | VIL | 0 | . | 0.3 VDD | V |

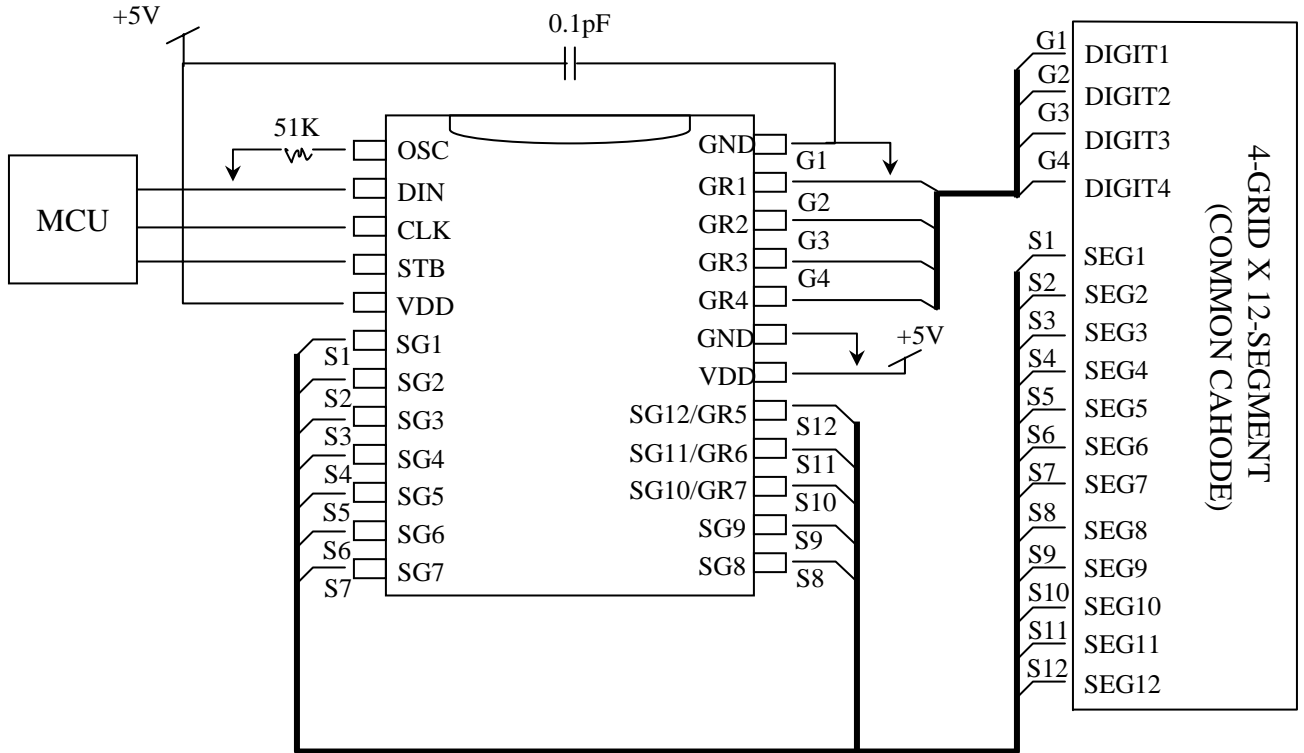
Note : Test Condition : Set Display Control Commands = 80H (Display Turn OFF State)

ELECTRICAL CHARACTERISTICS

(Unless otherwise stated, $V_{DD}=5V$, $GND=0V$, $T_a=25^\circ C$,

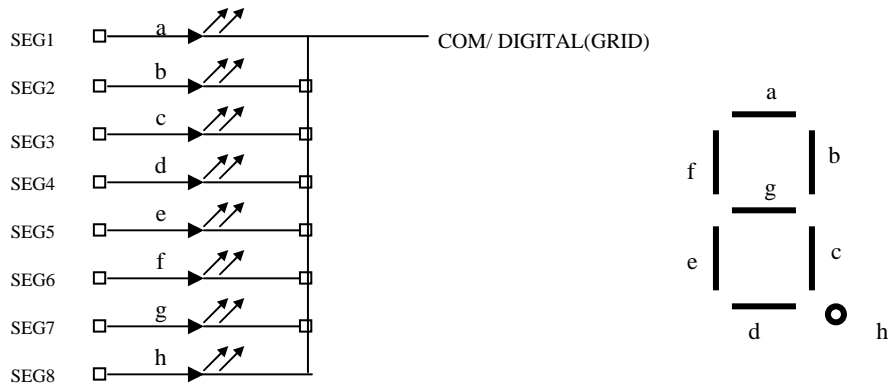
| Parameter | Symbol | Test Condition | Min. | Typ. | Max. | Unit |
|---|----------|---|--------|------|---------|------|
| High-Level Output Current | IOHSG1 | $V_O = V_{DD} - 1V$ SG1 to SG9. SG10/GR7 to SG12/GR5 | -10 | -14 | -30 | mA |
| | IOHSG2 | $V_O = V_{DD} - 2V$ SG1 to SG9. SG10/GR 7 to SG12/GR5 | -20 | -25 | -50 | mA |
| Low-Level Output Current | IOLGR | $V_O = 0.3V$ GR1 TO GR4. SG10/GR7 to SG12/GR5 | 100 | 140 | - | mA |
| Segment High-Level Output Current Tolerance | ITOLSG | $V_O = V_{DD} - 1V$ SG1 TO SG9. SG10/GR7 to SG12/GR5 | - | - | ± 5 | % |
| High-Level Input Voltage | V_{IH} | - | 0.8VDD | - | - | V |
| Low-Level Input Voltage | V_{IL} | - | . | - | 0.3VDD | V |
| Oscillation Frequency | fosc | R = 51KOms | 350 | 500 | 650 | kHz |

APPLICATION CIRCUIT



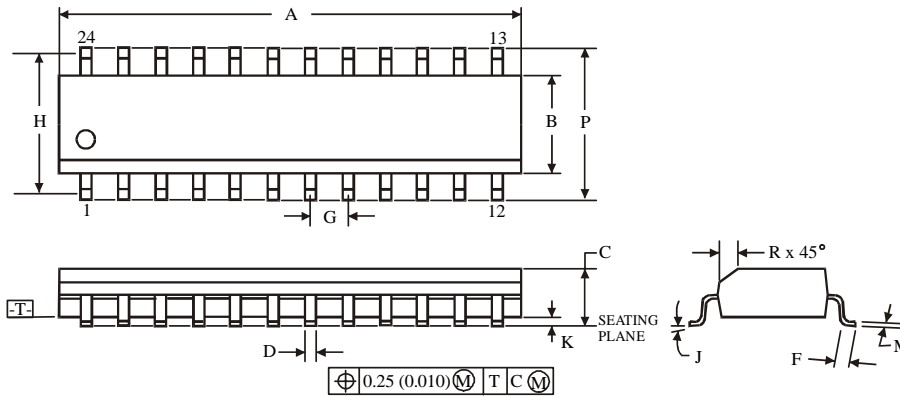
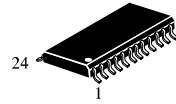
Note : The capacitor (0.1uF) connected between the GND and VDD Pins must be located as near as possible to the LD1207 chip.

COMMON CATHODE TYPE LED PANEL



Package Dimensions(24SOP)

D SUFFIX SOIC
(MS - 013AD)



| Symbol | Dimension, mm | |
|--------|---------------|-------|
| | MIN | MAX |
| A | 15.20 | 15.60 |
| B | 7.40 | 7.60 |
| C | 2.35 | 2.65 |
| D | 0.33 | 0.51 |
| F | 0.40 | 1.27 |
| G | 1.27 | |
| H | 9.53 | |
| J | 0° | 8° |
| K | 0.10 | 0.30 |
| M | 0.23 | 0.32 |
| P | 10.00 | 10.65 |
| R | 0.25 | 0.75 |

NOTES:

1. Dimensions A and B do not include mold flash or protrusion.
2. Maximum mold flash or protrusion 0.15 mm (0.006) per side for A; for B - 0.25 mm (0.010) per side.

⊕0.25 (0.010) M T C M