

CCM05 SM

(SmartMedia™ SSFDC)

For the digital imaging applications, we offer different styles of connectors for the SSFDC - Smart Media format.

Features

- Single or dual voltage operation
- Four step sequence contact (for hot insertion)
- Write protect contact detection
- Available in ultra low profile (2, 30 mm) and push-push versions
- Surface mounts type
- Front metal tab for better PCB tear-off resistance
- Front cover retention for temper resistant card entrance

Physical Data

Contacts	Copper alloy
Contact finish (towards the card)	Copper alloy
Contact finish (towards the PCB)	Gold over nickel
Metal cover	Copper alloy (nickel plated overall)
Cover ground tails	Gold plated over nickel
Molding	High temp. Thermoplastic, UL 94V-0

Mechanical Data

Number of contacts	22
Operating life standard & push-push type	≥ 5,000 cycles
Contact force (signal contact)	0.20 N min.
Card insertion force	10 N max.
Card withdrawal force	1,5 N min.
Vibration	According to IEC 512 part 4, test 6d. 10 to 500 Hz / 50m/s ² / 3 axis / 2 hours per axis No discontinuity > 1 μs
Mechanical shock	Peak value 500 m/s ² 11ms. 3 shock in each direction of each axis. No electrical discontinuity 1 μs.

Contact Electrical Data

Voltage / ct	≤ 5 Vdc
Current / ct	≤ 500 mA
Contact resistance	≤ 40 mΩ
Voltage proof	≥ 500 Vrms
Insulation resistance	1000 MΩ min.

Environmental Data

Operating temperature	-20°C / +60°C
Storage temperature	-40°C / +85°C
Soldering temperature	230°C / 5 sec according to MIL-STD-202F, method 208
Moisture resistance	40°C / 93% HR / 96 hours according to MIL-STD-202F, method 103B, test condition B
Corrosion	48 hours according to IEC 512 test 11f

Ordering Code

CCM05-5788 T18	Smart media standard; 3,3 V & 5 V (detect)
CCM05-5789 T30	Smart media low profile; 3,3 V
CCM05-5790 T20	Smart media push-push; 3,3 V

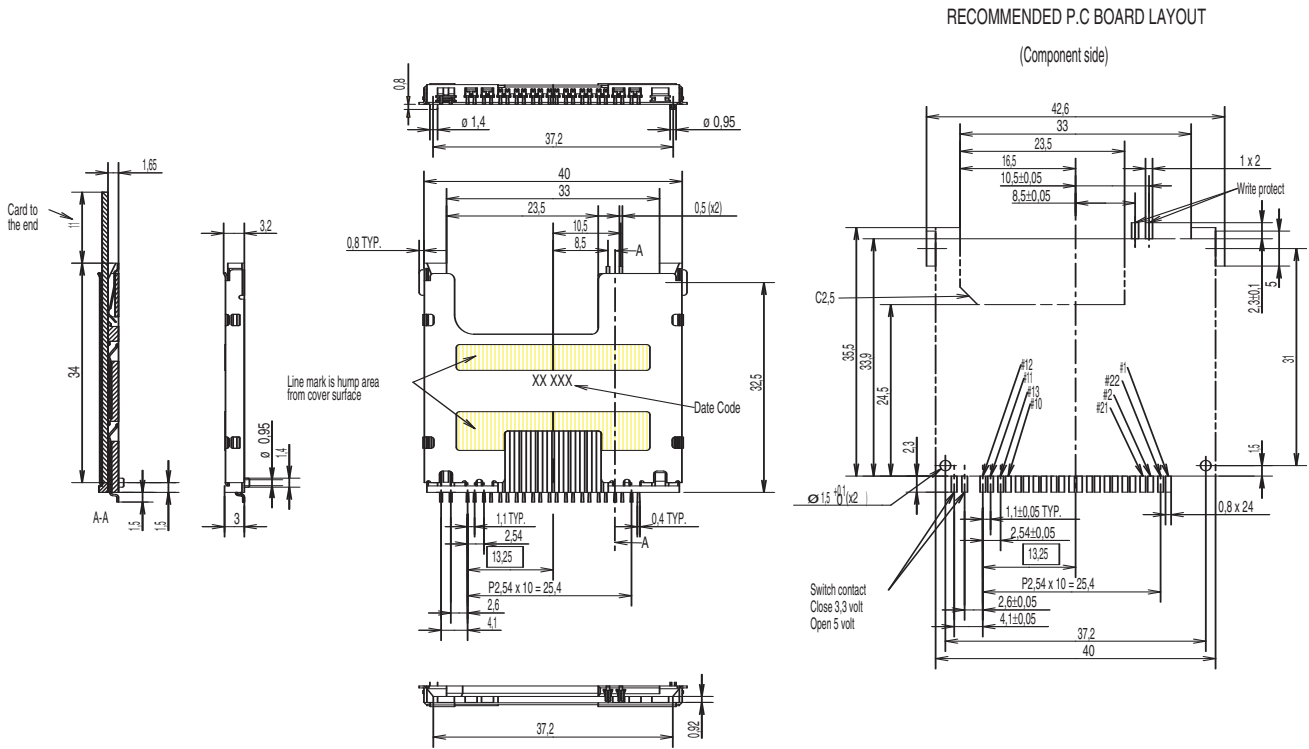
Packaging

Tray packaging.

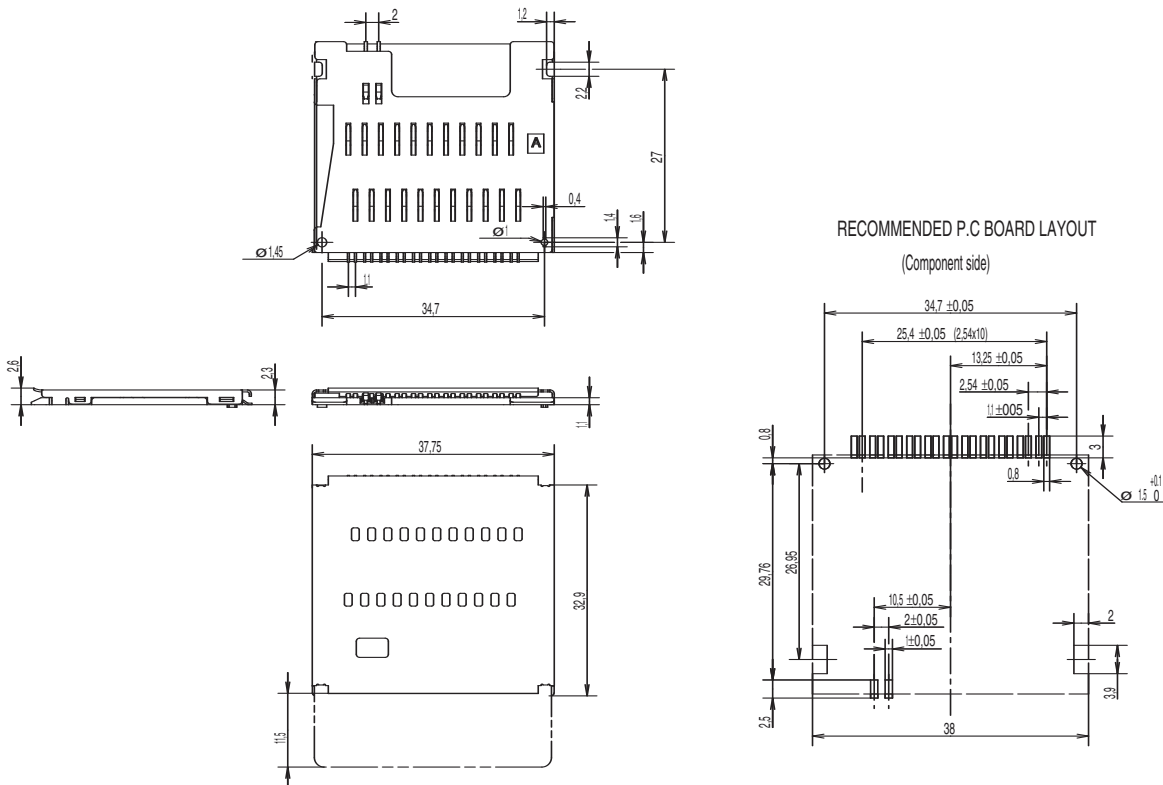
SmartMedia is a trademark of Toshiba Corporation

CCM05 SM (SmartMedia™ SSFDC)

CCM05-5788



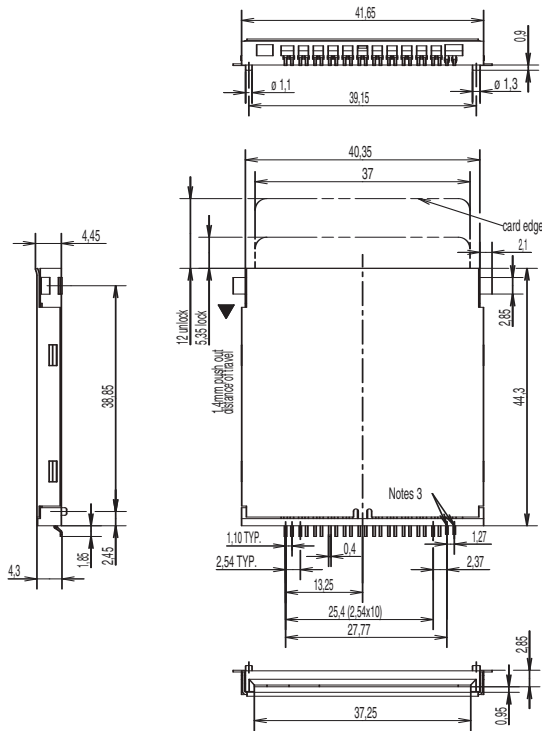
CCM05-5789 (low profile)



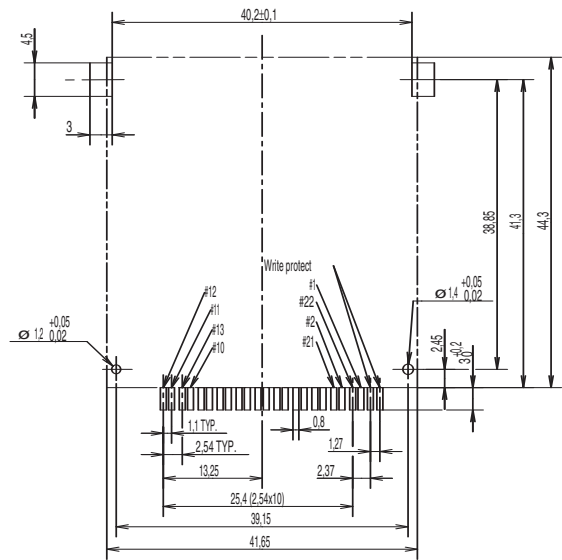
Dimensions are shown in mm
Specifications and dimensions subject to change

CCM05 SM (SmartMedia™ SSFDC)

CCM05-5790 (push push)



RECOMMENDED PC BOARD LAYOUT (Component side)



To learn more about our CCM05 SM product line, please visit www.ittcannon.com

Customer Support Locations

France: +33.(0) 1.60.24.51.51
UK: +44.1256.311850

Germany: +49 (30) 43.9990
USA: 800.635.5936

Hong Kong: +852.2732.2720