

**PLEASE CHECK WWW.MOLEX.COM FOR LATEST PART INFORMATION**

**Part Number:** [0877615022](#)  
**Status:** **Active**  
**Overview:** milligrid  
**Description:** 2.00mm (.079") Pitch Milli-Grid™ Header, Dual Row Dual Body, Through Hole, Vertical, 50 Circuits, 0.38µm (15µ") Gold (Au) Selective Plating, 5.71mm (.225") Stacking Height, Tray, Lead-free

**Documents:**

[Drawing \(PDF\)](#) [RoHS Certificate of Compliance \(PDF\)](#)  
[Product Specification PS-87761-100 \(PDF\)](#)

**General**

Product Family	PCB Headers
Series	<a href="#">87761</a>
Application	Board-to-Board
Comments	Without Cap, In Tray Packaging
Overview	<a href="#">milligrid</a>
Product Name	Dual Body, Milli-Grid™

**Physical**

Breakaway	Yes
Circuits (Loaded)	50
Circuits (maximum)	50
Color - Resin	Black
Durability (mating cycles max)	100
First Mate / Last Break	No
Glow-Wire Compliant	No
Guide to Mating Part	No
Keying to Mating Part	None
Lock to Mating Part	None
Mated Height (in)	0.157 In
Mated Height (mm)	4.00 mm
Material - Plating Mating	Gold
Material - Plating Termination	Tin
Material - Resin	High Temperature Thermoplastic
Number of Rows	2
Orientation	Vertical
PCB Locator	No
PCB Retention	None
Packaging Type	Tray
Pitch - Mating Interface (in)	0.079 In
Pitch - Mating Interface (mm)	2.00 mm
Pitch - Term. Interface (in)	0.079 In
Pitch - Term. Interface (mm)	2.00 mm
Plating min: Mating (µin)	15.2
Plating min: Mating (µm)	0.38
Plating min: Termination (µin)	40
Plating min: Termination (µm)	2
Polarized to Mating Part	No
Polarized to PCB	No
Shrouded	No
Stackable	No
Temperature Range - Operating	-55°C to +105°C
Termination Interface: Style	Through Hole

**Electrical**

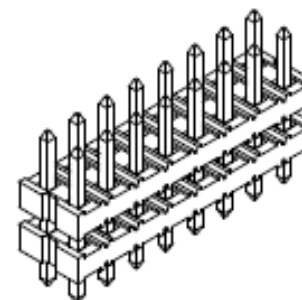


image - Reference only

Series

**EU RoHS**

**ELV and RoHS Compliant**  
**REACH SVHC**  
 Not Reviewed  
**Halogen-Free Status**

**China RoHS**



**Not Reviewed**

**Need more information on product environmental compliance?**

Email [productcompliance@molex.com](mailto:productcompliance@molex.com)  
 For a multiple part number RoHS Certificate of Compliance, [click here](#)

Please visit the [Contact Us](#) section for any non-product compliance questions.

**Search Parts in this Series**

[87761Series](#)

**Mates With**

[79109 Board-to-Board Top/Bottom Entry SMT Receptacle](#)

Current - Maximum per Contact	2A
Voltage - Maximum	125V

**Solder Process Data**

Duration at Max. Process Temperature (seconds)	10
Lead-free Process Capability	Wave Capable (TH only)
Max. Cycles at Max. Process Temperature	3
Process Temperature max. C	260

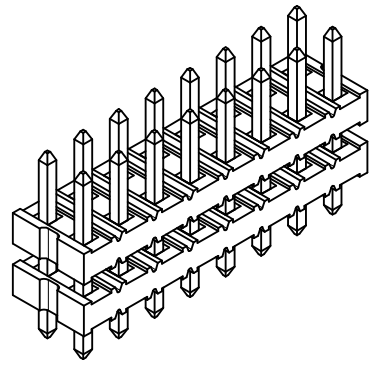
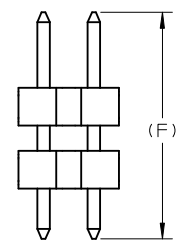
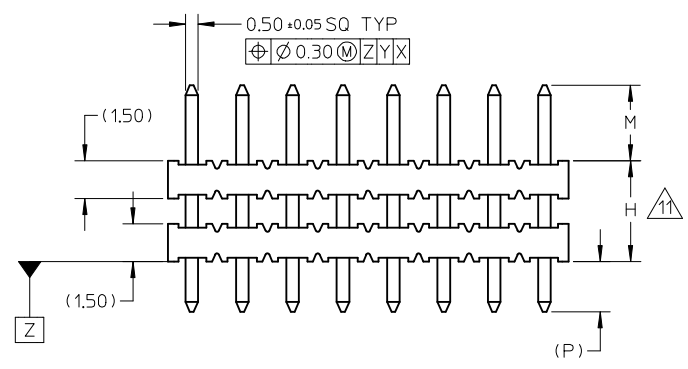
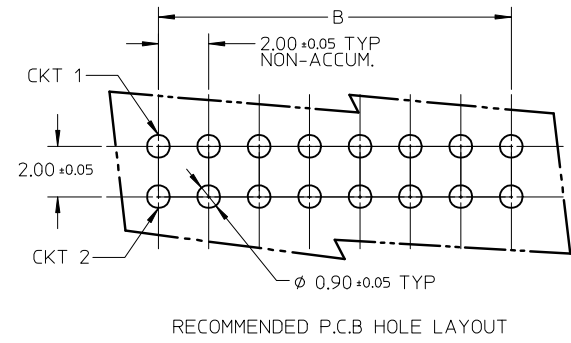
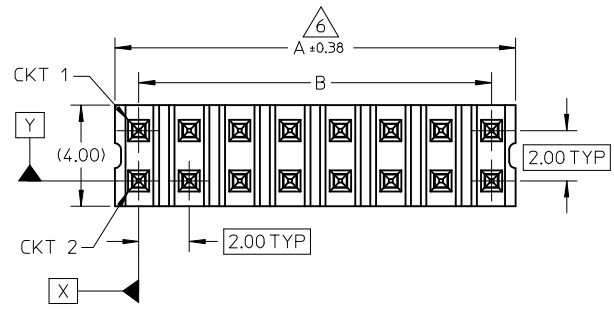
**Material Info****Reference - Drawing Numbers**

Product Specification	PS-87761-100
-----------------------	--------------

This document was generated on 05/26/2010

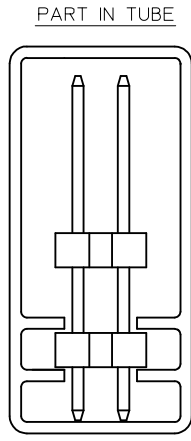
**PLEASE CHECK [WWW.MOLEX.COM](http://WWW.MOLEX.COM) FOR LATEST PART INFORMATION**

- NOTES:
- MATERIAL:  
HSG: NYLON, GLASS-FILLED, UL94V-0 COLOR: BLACK  
PIN: 0.50MM SQ, COPPER ALLOY
  - PLATING FINISH:  
(1) 0.38µm MIN. GOLD OVER  
1.25µm MIN. NICKEL OVERALL.  
(2) GOLD FLASH ON CONTACT AND  
2.50µm MIN. TIN ON SOLDER TAIL OVER  
1.25µm MIN. NICKEL OVERALL.  
(3) 0.38µm MIN. GOLD PLATE ON CONTACT AND  
2.00µm MIN. TIN ON SOLDER TAIL OVER  
1.25µm MIN. NICKEL OVERALL.  
(4) 0.75µm MIN. GOLD PLATE ON CONTACT AND  
2.00µm MIN. TIN ON SOLDER TAIL OVER  
1.25µm MIN. NICKEL OVERALL.  
(5) 2.50µm MIN. TIN OVERALL  
1.25µm min. NICKEL OVERALL  
(6) 0.38µm MIN. GOLD PLATE ON CONTACT AND  
0.05µm MIN. GOLD ON SOLDER TAIL OVER  
1.25µm MIN. NICKEL OVERALL.
  - PIN PUSHOUT FORCE: 0.85kgf MIN IN EITHER DIRECTION.
  - THE ABOVE 16CKTS SHOWN IS FOR ILLUSTRATION ONLY.
  - FOR PACKING OPTION PLEASE REFER TO THE TABLE.
  - IRREGULAR CIRCUIT CUTOFF WITHIN BREAKAWAY SECTION IS NOT ACCEPTABLE
  - PRODUCT SPEC PS-87761-001 APPLIES.
  - RECOMMENDED PCB THICKNESS 1.60MM.
  - WAFER TO BE FLAT WITHIN 0.003 mm/mm
  - PACKAGING SPECIFICATION:  
TRAY: PK-89990-487  
BULK: PK-89990-490  
TUBE: PK-89990-475
  - WHEN WAFER ARE STACK TOGETHER, DIMENSION 'H' SHOULD BE TAKEN AS REFERENCE.



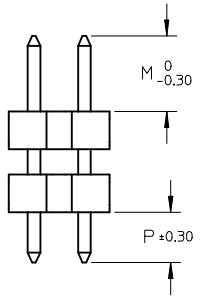
0039-DW-877611001.2001 5001 EC NO: S2010-0075 DRWN:ATSEE 2009/08/05 CHKD:SKANG 2009/08/05 APPR:MLONG 2009/08/06 C8	QUALITY SYMBOLS	GENERAL TOLERANCES (UNLESS SPECIFIED)	DIMENSION STYLE	SCALE	DESIGN UNITS	THIRD ANGLE PROJECTION
	▽=0 ∇=0	mm    INCH 4 PLACES ± --- ± --- 3 PLACES ± --- ± --- 2 PLACES ± 0.20 ± --- 1 PLACE ± --- ± --- ANGULAR ± 3 °	MM ONLY	NTS	METRIC	
			DRAWN BY: KCHO    DATE: 2005/02/23 CHECKED BY: PTLIM    DATE: 2005/04/26 APPROVED BY: SCLOW    DATE: 2005/04/26	TITLE: 2MM DUAL ROW DUAL WAFER HEADER, VERTICAL T/H		
		DRAFT WHERE APPLICABLE MUST REMAIN WITHIN DIMENSIONS	MATERIAL NO. SEE TABLE SIZE: A3 THIS DRAWING CONTAINS INFORMATION THAT IS PROPRIETARY TO MOLEX INCORPORATED AND SHOULD NOT BE USED WITHOUT WRITTEN PERMISSION	MOLEX MOLEX INCORPORATED DOCUMENT NO. SD-87761-052	SHEET NO. 1 OF 2	

CKT SIZE	DIMENSION	
	A	B
04	4.00	2.00
06	6.00	4.00
08	8.00	6.00
10	10.00	8.00
12	12.00	10.00
14	14.00	12.00
16	16.00	14.00
18	18.00	16.00
20	20.00	18.00
22	22.00	20.00
24	24.00	22.00
26	26.00	24.00
28	28.00	26.00
30	30.00	28.00
32	32.00	30.00
34	34.00	32.00
36	36.00	34.00
38	38.00	36.00
40	40.00	38.00
42	42.00	40.00
44	44.00	42.00
46	46.00	44.00
48	48.00	46.00
50	50.00	48.00



PART NUMBERS	CKT SIZE	VOID POSITION	KINK POSITION	DIMENSION				PLATING OPTION	PACKAGING TYPE
				MATING END (M)	STACKER HEIGHT (H)	SOLDER TAIL (P)	(F)		
87761-0401	4	----	----	4.00	15.50	3.50	23.00	3	TRAY
87761-0600	6	----	----	7.00	5.00	2.80	14.80	5	
87761-0801	8	3,4,5,6	----	4.00	15.50	3.50	23.00	3	
87761-0800	8	----	----	8.70	16.00	3.50	28.20	4	BULK
87761-1006	10	1	----	1.16	3.05	3.99	8.20	5	TRAY
87761-1009	10	----	----	1.16	3.05	3.99	8.20	5	
87761-1007	10	----	----	2.60	34.00	2.60	39.20	5	
87761-1000	10	----	----	5.50	27.50	3.43	36.43	4	
<b>87761-1001</b>	<b>10</b>	----	----	<b>2.50</b>	<b>14.50</b>	<b>4.00</b>	<b>21.00</b>	4	
87761-0012	12	----	----	2.60	10.00	3.70	16.30	5	
87761-1200	12	----	----	4.00	24.00	2.79	30.79	4	
87761-0016	16	----	----	4.00	9.15	3.85	17.00	3	
87761-0017	16	----	----	3.00	3.00	2.70	8.70	5	
87761-1600	16	----	----	7.00	5.00	2.80	14.80	5	
87761-0020	20	----	----	6.00	4.00	2.90	12.90	5	TRAY
87761-0031	20	----	----	3.00	4.00	2.03	9.00	6	
87761-2000	20	----	----	4.00	24.00	2.79	30.79	4	
<b>87761-2001</b>	<b>20</b>	----	----	<b>2.50</b>	<b>14.50</b>	<b>4.00</b>	<b>21.00</b>	4	
87761-2018	20	----	----	4.50	10.16	4.45	19.10	3	
87761-2400	24	----	----	5.50	27.50	2.80	35.80	4	
87761-2610	26	----	----	5.30	6.30	2.70	14.30	4	
87761-3000	30	----	----	4.00	17.30	4.00	25.30	1	
87761-0024	40	----	----	8.89	15.88	3.43	28.20	4	
87761-4000	40	----	----	2.60	3.00	2.60	8.20	5	
87761-4218	42	----	----	4.50	10.16	4.45	19.10	3	
87761-4400	44	----	----	7.00	5.00	4.00	16.00	5	
87761-0026	50	----	----	8.89	15.88	3.43	28.20	4	
87761-5000	50	----	----	3.50	10.00	3.50	17.00	5	
<b>87761-5001</b>	<b>50</b>	----	----	<b>2.50</b>	<b>10.30</b>	<b>4.00</b>	<b>16.80</b>	4	
1 87761-5021	50	----	----	4.00	8.70	2.50	15.20	3	
1 87761-5022	50	----	----	4.00	5.71	2.50	12.21	3	

NOTES:  
 1. APPLY ONLY FOR PART#87761-5021 & 87761-5022



0039-DW, #877611001, 2001  
 5001  
 EC NO: S2010-0075  
 DRW: NAISEE 2009/08/05  
 CHK: DSKANG 2009/08/05  
 APPR: MLONG 2009/08/06

QUALITY SYMBOLS  
 ▽=0  
 ◻=0

GENERAL TOLERANCES (UNLESS SPECIFIED)  
 mm INCH  
 4 PLACES ± --- ± ---  
 3 PLACES ± --- ± ---  
 2 PLACES ± 0.20 ± ---  
 1 PLACE ± --- ± ---  
 ANGULAR ± 3 °  
 DRAFT WHERE APPLICABLE MUST REMAIN WITHIN DIMENSIONS

DIMENSION STYLE  
 MM ONLY  
 DRAWN BY: KCHO DATE: 2005/02/23  
 CHECKED BY: PTL IM DATE: 2005/04/26  
 APPROVED BY: SCLOW DATE: 2005/04/26  
 MATERIAL NO. SEE TABLE

SCALE: NTS  
 DESIGN UNITS: METRIC  
 THIRD ANGLE PROJECTION  
 TITLE: 2MM DUAL ROW DUAL WAFER HEADER, VERTICAL T/H  
 MOLEX INCORPORATED  
 DOCUMENT NO. SD-87761-052  
 SHEET NO. 2 OF 2  
 THIS DRAWING CONTAINS INFORMATION THAT IS PROPRIETARY TO MOLEX INCORPORATED AND SHOULD NOT BE USED WITHOUT WRITTEN PERMISSION