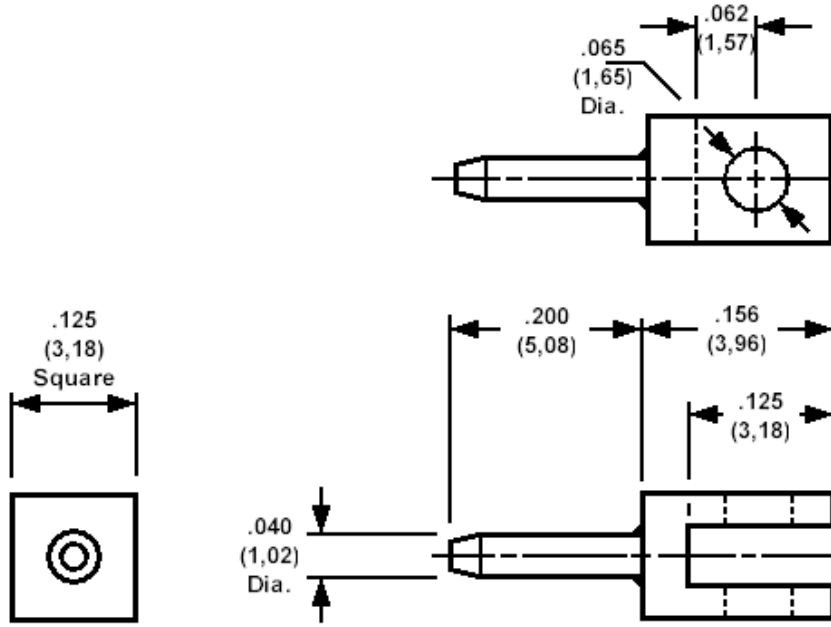


461-2634 Eyelet mount connector pin, .040 (1,02) diameter pin



How to order code

461-2634-XX-YY-00

Basic Part No XX = board thickness, YY= plating finish

MATERIALS

Component	Material	Finish(-03)	Finish (-04)
Pin	Brass	Gold over Nickel	Electro Tin over Copper

DIMENSIONS

Basic Part No	(XX)	A	For Board Thickness
461-2634	-01	.045 (1,15)	.031 (0,78)
	-02	.078 (1,98)	.062 (1,57)