

**PLEASE CHECK WWW.MOLEX.COM FOR LATEST PART INFORMATION**

**Part Number:** [0459713185](#)  
**Status:** **Active**  
**Description:** 1.27mm (.050") by 1.27mm (.050") Pitch SEARAY\* Receptacle, 240 Circuits, 5.00mm (.196") Unmated Height, 8 Rows, With Pegs, Solder Charge™ Lead Free

**Documents:**

|  |  |
|--|--|
| <a href="#">3D Model</a>                                 | <a href="#">Product Specification PS-45970-002 (PDF)</a> |
| <a href="#">Drawing (PDF)</a>                            | <a href="#">RoHS Certificate of Compliance (PDF)</a>     |
| <a href="#">Product Specification PS-45970-001 (PDF)</a> |  |

**Agency Certification**

|     |         |
|-----|---------|
| CSA | LR19980 |
| UL  | E29179  |

**General**

|                |                       |
|----------------|-----------------------|
| Product Family | PCB Receptacles       |
| Series         | <a href="#">45971</a> |
| Application    | Board-to-Board        |
| Product Name   | SEARAY*               |

**Physical**

|                                |                                |
|--------------------------------|--------------------------------|
| Circuits (Loaded)              | 240                            |
| Circuits (maximum)             | 240                            |
| Circuits Detail                | 240                            |
| Color - Resin                  | Black                          |
| Durability (mating cycles max) | 100                            |
| Flammability                   | 94V-0                          |
| Glow-Wire Compliant            | No                             |
| Guide to Mating Part           | No                             |
| Keying to Mating Part          | None                           |
| Lock to Mating Part            | No                             |
| Material - Metal               | Copper Alloy                   |
| Material - Plating Mating      | Gold                           |
| Material - Plating Termination | Tin                            |
| Material - Resin               | High Temperature Thermoplastic |
| Number of Rows                 | 8                              |
| Orientation                    | Vertical                       |
| PC Tail Length (in)            | 0.086 In                       |
| PC Tail Length (mm)            | 2.18 mm                        |
| PCB Locator                    | Yes                            |
| PCB Retention                  | Yes                            |
| PCB Thickness Recommended (in) | 0.062 In                       |
| PCB Thickness Recommended (mm) | 1.57 mm                        |
| Packaging Type                 | Embossed Tape on Reel          |
| Pitch - Mating Interface (in)  | 0.050 In                       |
| Pitch - Mating Interface (mm)  | 1.27 mm                        |
| Pitch - Term. Interface (in)   | 0.050 In                       |
| Pitch - Term. Interface (mm)   | 1.27 mm                        |
| Plating min: Mating (µin)      | 30                             |
| Plating min: Mating (µm)       | 0.75                           |
| Plating min: Termination (µin) | 100                            |
| Plating min: Termination (µm)  | 2.5                            |
| Polarized to Mating Part       | Yes                            |
| Polarized to PCB               | Yes                            |
| Robotic Placement              | Pick and Place Cap             |
| Stackable                      | No                             |



**EU RoHS**

**ELV and RoHS Compliant**  
**REACH SVHC**  
 Not Reviewed  
**Halogen-Free Status**  
 Not Reviewed

**China RoHS**



**Need more information on product environmental compliance?**

Email [productcompliance@molex.com](mailto:productcompliance@molex.com)  
 For a multiple part number RoHS Certificate of Compliance, [click here](#)

Please visit the [Contact Us](#) section for any non-product compliance questions.

**Search Parts in this Series**

[45971Series](#)

**Mates With**

[45970 SEARAY\\* Plug](#)

|                                |                 |
|--------------------------------|-----------------|
| Surface Mount Compatible (SMC) | Yes             |
| Temperature Range - Operating  | -55°C to +125°C |
| Termination Interface: Style   | Surface Mount   |

### **Electrical**

|                               |         |
|-------------------------------|---------|
| Current - Maximum per Contact | 2.7A    |
| Grounding to PCB              | No      |
| Voltage - Maximum             | 240V AC |

### **Solder Process Data**

|  |                           |
|--|---------------------------|
| Duration at Max. Process Temperature (seconds) | 3                         |
| Lead-free Process Capability                   | Reflow Capable (SMT only) |
| Max. Cycles at Max. Process Temperature        | 1                         |
| Process Temperature max. C                     | 260                       |

### **Material Info**

#### **Reference - Drawing Numbers**

|                           |  |
|---------------------------|--|
| Application Specification | AS-45970-001, AS-45970-002, AS-45970-990 |
| Packaging Specification   | PK-45971-001, PK-45971-002               |
| Product Specification     | PS-45970-001, PS-45970-002               |
| Sales Drawing             | SD-45971-001                             |
| Test Summary              | TS-45970-001                             |

\*SEARAY is a trademark of Samtec, Inc.

This document was generated on 05/25/2010

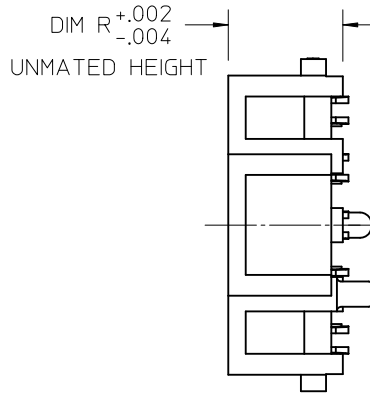
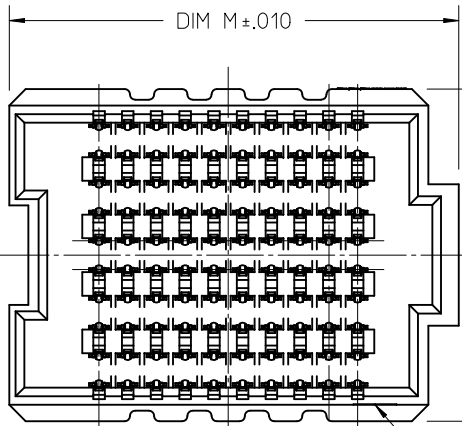
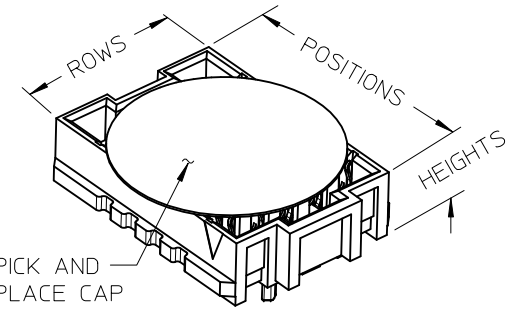
**PLEASE CHECK [WWW.MOLEX.COM](http://WWW.MOLEX.COM) FOR LATEST PART INFORMATION**



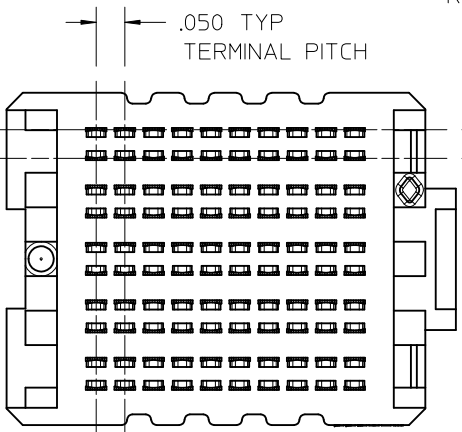
$\overline{\text{A}} .006$  ACROSS ALL SOLDER CHARGES

LEAD CODE:  
1 = TIN  
2 = TIN / LEAD

DATE CODE



ROW 1 / POSITION 1 ID THIS SIDE



NOTES:

- MATERIALS: HOUSING: LCP, UL94V-0, BLACK  
CONTACTS: COPPER ALLOY  
SOLDER CHARGE: SEE CHART
- FINISH: ALL OPTIONS - SELECT GOLD IN CONTACT AREA: 30 MI MIN  
OPTIONS 5.0: SELECT GOLD FLASH IN TAIL, 7 MI MIN  
OPTIONS 6.0 THRU 8.0: SELECT TIN IN TAIL, 100 MI MIN  
ALL OPTIONS - OVER NICKEL
- PRODUCT SPECIFICATION: PS-45970-001
- PACKAGING SPECIFICATION: SEE CHART
- MATES WITH SEARAY PLUG ASSEMBLY 45970
- APPLICATION SPECIFICATION: AS-45970-001
- COSMETIC SPECIFICATION: PS-45499-002 CLASS B
- PART STATUS: CONTACT MOLEX

|   |                    |                                       |  |                              |                              |   |   |                        |  |  |  |
|---|--------------------|---------------------------------------|--|------------------------------|------------------------------|---|---|------------------------|--|--|--|
| UPDATED NOTE 2<br>EC NO: UCP2010-2270<br>DRWN: TGREGOR I 2010/03/05<br>CHKD: JCOMERC I 2005/05/17<br>APPR: JCOMERC I 2010/03/05 | DESCRIPTION<br>REV | GENERAL TOLERANCES (UNLESS SPECIFIED) |  | DIMENSION STYLE<br>INCH ONLY |                              | SCALE<br>3:1  | DESIGN UNITS<br>INCH                                | THIRD ANGLE PROJECTION |  |  |  |
|   |                    |                                       | mm   | INCH                         | DRAWN BY<br>TGREGOR I        | DATE<br>2005/05/17  | TITLE<br>SEARAY RECEPTACLE ASSEMBLY<br>.050 CENTERS |                        |  |  |  |
|   |                    | 4 PLACES                              | ± ---  | ± ---                        | CHECKED BY<br>JCOMERC I      | DATE<br>2005/05/17  |   |                        |  |  |  |
|   |                    | 3 PLACES                              | ± ---  | ± .005                       | APPROVED BY<br>JCOMERC I     | DATE<br>2010/03/05  | MOLEX MOLEX INCORPORATED                            |                        |  |  |  |
| 2 PLACES  | ± ---              | ± ---                                 | MATERIAL NO.<br>SEE CHART                            |                              | DOCUMENT NO.<br>SD-45971-001 | SHEET NO.<br>1 OF 10  |   |                        |  |  |  |
| 1 PLACE   | ± ---              | ± ---                                 | DRAFT WHERE APPLICABLE MUST REMAIN WITHIN DIMENSIONS |                              |                              |   |   |                        |  |  |  |
|   |                    | ANGULAR ± ---°                        |  | SIZE<br>A                    |                              | THIS DRAWING CONTAINS INFORMATION THAT IS PROPRIETARY TO MOLEX INCORPORATED AND SHOULD NOT BE USED WITHOUT WRITTEN PERMISSION |   |                        |  |  |  |

6

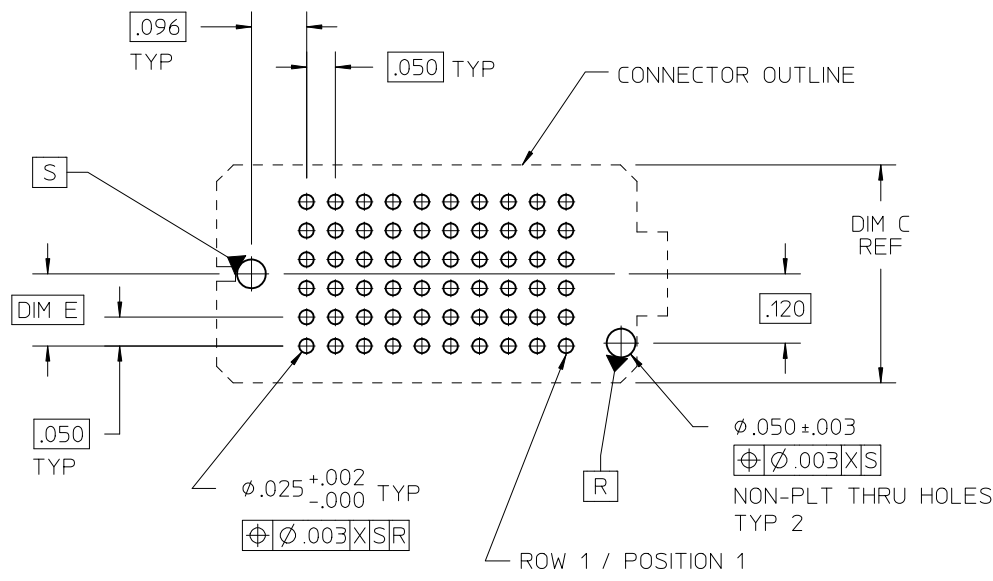
5

4

3

2

1

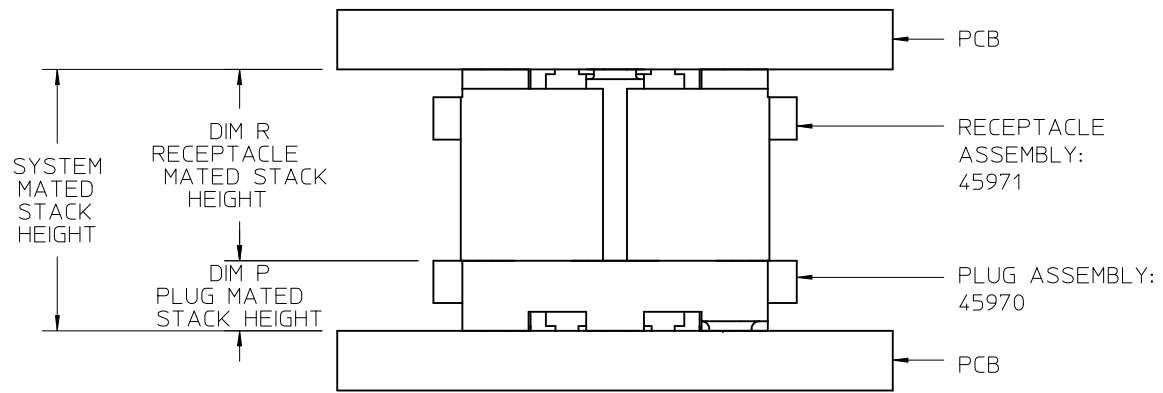


**F**  
 .005  
 MIN SOLDER  
 PASTE THICKNESS

| NO OF ROWS | DIM C | DIM E |
|------------|-------|-------|
| 6          | .378  | .125  |
| 8          | .478  | .175  |
| 10         | .578  | .225  |
| 12         | .678  | .275  |

RECOMMENDED PCB LAYOUT: COMPONENT SIDE  
 SOLDER SCREEN APERTURE SIZE: .035 **F**  
 PCB THICKNESS: NA

| DIM P<br>PLUG STACK HEIGHT | DIM R<br>RECEPTACLE STACK HEIGHT |      |      |      |      |     |
|----------------------------|----------------------------------|------|------|------|------|-----|
|                            | MM                               | 5.0  | 6.0  | 6.5  | 7.5  | 8.0 |
| 2.0                        | 7.0                              | 8.0  | 8.5  | 9.5  | 10.0 |     |
| 3.0                        | 8.0                              | 9.0  | 9.5  | 10.5 | 11.0 |     |
| 3.5                        | 8.5                              | 9.5  | 10.0 | 11.0 | 11.5 |     |
| 2.5                        | 7.5                              | 8.5  | 9.0  | 10.0 | 10.5 |     |
| 4.5                        | 9.5                              | 10.5 | 11.0 | 12.0 | 12.5 |     |
| 5.0                        | 10.0                             | 11.0 | 11.5 | 12.5 | 13.0 |     |
| 7.0                        | 12.0                             | 13.0 | 13.5 | 14.5 | 15.0 |     |



STACK HEIGHTS GIVEN IN METRIC FOR REF ONLY

MATED STACK HEIGHTS  
 (MILLIMETERS) REF

|   |     |             |
|---|-----|-------------|
| SEE SHEET 1<br>EC NO: UCP2010-2270<br>DRWN: TGREGORI 2010/03/05<br>CHKD: JCOMERCI 2005/05/17<br>APPR: JCOMERCI 2010/03/05 | REV | DESCRIPTION |
|   | 0   |             |
|   |     |             |
|   |     |             |

| GENERAL TOLERANCES<br>(UNLESS SPECIFIED)                   |           |            |
|--|-----------|------------|
|  | mm        | INCH       |
| 4 PLACES   | $\pm$ --- | $\pm$ ---  |
| 3 PLACES   | $\pm$ --- | $\pm$ .005 |
| 2 PLACES   | $\pm$ --- | $\pm$ ---  |
| 1 PLACE  | $\pm$ --- | $\pm$ ---  |
| ANGULAR $\pm$ ---°   |           |            |
| DRAFT WHERE APPLICABLE<br>MUST REMAIN<br>WITHIN DIMENSIONS |           |            |

| DIMENSION STYLE<br>INCH ONLY |            |
|------------------------------|------------|
| DRAWN BY                     | DATE       |
| TGREGORI                     | 2005/05/17 |
| CHECKED BY                   | DATE       |
| JCOMERCI                     | 2005/05/17 |
| APPROVED BY                  | DATE       |
| JCOMERCI                     | 2010/03/05 |
| MATERIAL NO.                 |            |
| SEE CHARTS                   |            |

|  |                      |                           |
|--|----------------------|---------------------------|
| SCALE<br>3:1   | DESIGN UNITS<br>INCH | THIRD ANGLE<br>PROJECTION |
| TITLE<br>SEARAY<br>RECEPTACLE ASSEMBLY<br>.050 CENTERS |                      |                           |
| molex MOLEX INCORPORATED                               |                      |                           |
| DOCUMENT NO.<br>SD-45971-001                           | SHEET NO.<br>2 OF 10 |                           |

5

4

3


2

1

| 6                           |       | 5           |             | 4           |             | 3           |             | 2           |             | 1           |             |  |
|-----------------------------|-------|-------------|-------------|-------------|-------------|-------------|-------------|-------------|-------------|-------------|-------------|--|
| DIM R: (REF)                |       | 5.0 MM      |             | 6.0 MM      |             | 6.5 MM      |             | 7.5 MM      |             | 8.0 MM      |             | STACK HEIGHTS GIVEN IN METRIC FOR REF ONLY |
| DIM R:<br>HOUSING<br>HEIGHT |       |             |             |             |             |             |             |             |             |             |             |  |
|                             |       | .199        |             | .238        |             | .258        |             | .297        |             | .297        |             |  |
| POSITION                    | DIM M | MATERIAL NO | MATERIAL NO | MATERIAL NO | MATERIAL NO | MATERIAL NO | MATERIAL NO | MATERIAL NO | MATERIAL NO | MATERIAL NO | MATERIAL NO |  |
| 19                          | 1.232 | 45971-0161  | 45971-0261  | 45971-0361  | 45971-0461  | 45971-0561  | 45971-0661  | 45971-0761  | 45971-0861  | 45971-0961  | 45971-1061  |  |
| 10                          | 0.782 | 45971-1161  | 45971-1261  | 45971-1361  | 45971-1461  | 45971-1561  | 45971-1661  | 45971-1761  | 45971-1861  | 45971-1961  | 45971-2061  |  |
| 20                          | 1.282 | 45971-2161  | 45971-2261  | 45971-2361  | 45971-2461  | 45971-2561  | 45971-2661  | 45971-2761  | 45971-2861  | 45971-2961  | 45971-3061  |  |
| 30                          | 1.782 | 45971-3161  | 45971-3261  | 45971-3361  | 45971-3461  | 45971-3561  | 45971-3661  | 45971-3761  | 45971-3861  | 45971-3961  | 45971-4061  |  |
| 40                          | 2.282 | 45971-4161  | 45971-4261  | 45971-4361  | 45971-4461  | 45971-4561  | 45971-4661  | 45971-4761  | 45971-4861  | 45971-4961  | 45971-5061  |  |
| 50                          | 2.782 | 45971-5161  | 45971-5261  | 45971-5361  | 45971-5461  | 45971-5561  | 45971-5661  | 45971-5761  | 45971-5861  | 45971-5961  | 45971-6061  |  |
| 15                          | 1.032 | 45971-6161  | 45971-6261  | 45971-6361  | 45971-6461  | 45971-6561  | 45971-6661  | 45971-6761  | 45971-6861  | 45971-6961  | 45971-7061  |  |
| 25                          | 1.532 | 45971-7161  | 45971-7261  | 45971-7361  | 45971-7461  | 45971-7561  | 45971-7661  | 45971-7761  | 45971-7861  | 45971-7961  | 45971-8061  |  |
| 35                          | 2.032 | 45971-8161  | 45971-8261  | 45971-8361  | 45971-8461  | 45971-8561  | 45971-8661  | 45971-8761  | 45971-8861  | 45971-8961  | 45971-9061  |  |
| 45                          | 2.532 | 45971-9161  | 45971-9261  | 45971-9361  | 45971-9461  | 45971-9561  | 45971-9661  | 45971-9761  | 45971-9861  | 45971-9961  | 45971-10061 |  |

| 6                           |       | 5           |             | 4           |             | 3           |             | 2           |             | 1           |             |  |
|-----------------------------|-------|-------------|-------------|-------------|-------------|-------------|-------------|-------------|-------------|-------------|-------------|--|
| DIM R: (REF)                |       | 5.0 MM      |             | 6.0 MM      |             | 6.5 MM      |             | 7.5 MM      |             | 8.0 MM      |             | STACK HEIGHTS GIVEN IN METRIC FOR REF ONLY |
| DIM R:<br>HOUSING<br>HEIGHT |       |             |             |             |             |             |             |             |             |             |             |  |
|                             |       | .199        |             | .238        |             | .258        |             | .297        |             | .297        |             |  |
| POSITION                    | DIM M | MATERIAL NO | MATERIAL NO | MATERIAL NO | MATERIAL NO | MATERIAL NO | MATERIAL NO | MATERIAL NO | MATERIAL NO | MATERIAL NO | MATERIAL NO |  |
| 19                          | 1.232 | 45971-0165  | 45971-0265  | 45971-0365  | 45971-0465  | 45971-0565  | 45971-0665  | 45971-0765  | 45971-0865  | 45971-0965  | 45971-1065  |  |
| 10                          | 0.782 | 45971-1165  | 45971-1265  | 45971-1365  | 45971-1465  | 45971-1565  | 45971-1665  | 45971-1765  | 45971-1865  | 45971-1965  | 45971-2065  |  |
| 20                          | 1.282 | 45971-2165  | 45971-2265  | 45971-2365  | 45971-2465  | 45971-2565  | 45971-2665  | 45971-2765  | 45971-2865  | 45971-2965  | 45971-3065  |  |
| 30                          | 1.782 | 45971-3165  | 45971-3265  | 45971-3365  | 45971-3465  | 45971-3565  | 45971-3665  | 45971-3765  | 45971-3865  | 45971-3965  | 45971-4065  |  |
| 40                          | 2.282 | 45971-4165  | 45971-4265  | 45971-4365  | 45971-4465  | 45971-4565  | 45971-4665  | 45971-4765  | 45971-4865  | 45971-4965  | 45971-5065  |  |
| 50                          | 2.782 | 45971-5165  | 45971-5265  | 45971-5365  | 45971-5465  | 45971-5565  | 45971-5665  | 45971-5765  | 45971-5865  | 45971-5965  | 45971-6065  |  |
| 15                          | 1.032 | 45971-6165  | 45971-6265  | 45971-6365  | 45971-6465  | 45971-6565  | 45971-6665  | 45971-6765  | 45971-6865  | 45971-6965  | 45971-7065  |  |
| 25                          | 1.532 | 45971-7165  | 45971-7265  | 45971-7365  | 45971-7465  | 45971-7565  | 45971-7665  | 45971-7765  | 45971-7865  | 45971-7965  | 45971-8065  |  |
| 35                          | 2.032 | 45971-8165  | 45971-8265  | 45971-8365  | 45971-8465  | 45971-8565  | 45971-8665  | 45971-8765  | 45971-8865  | 45971-8965  | 45971-9065  |  |
| 45                          | 2.532 | 45971-9165  | 45971-9265  | 45971-9365  | 45971-9465  | 45971-9565  | 45971-9665  | 45971-9765  | 45971-9865  | 45971-9965  | 45971-10065 |  |

NOTES:  
 1. THIS SHEET CONTAINS THE FOLLOWING OPTIONS  
 NO OF ROWS: 6  
 SOLDER CHARGE: TIN  
 PACKAGING: TRAYS AND TAPE AND REEL

|   |                    |                                       |                |                                     |   |                     |   |   |  |  |  |
|---|--------------------|---------------------------------------|----------------|-------------------------------------|---|---------------------|---|---|--|--|--|
| SEE SHEET 1<br>EC NO: UCP2010-2270<br>DRWN: TGREGORI 2010/03/05<br>CHKD: JCOMERCI 2005/05/17<br>APPR: JCOMERCI 2010/03/05 | DESCRIPTION<br>REV | GENERAL TOLERANCES (UNLESS SPECIFIED) |                | DIMENSION STYLE<br><b>INCH ONLY</b> |   | SCALE<br><b>1:1</b> | DESIGN UNITS<br><b>INCH</b>                             | THIRD ANGLE PROJECTION  |  |  |  |
|   |                    |                                       | mm             | INCH                                | DRAWN BY<br>TGREGORI  | DATE<br>2005/05/17  | TITLE<br><b>SEARAY RECEPTACLE ASSEMBLY .050 CENTERS</b> |   |  |  |  |
|   |                    | 4 PLACES                              | ± ---          | ± ---                               | CHECKED BY<br>JCOMERCI  | DATE<br>2005/05/17  |   |   |  |  |  |
|   |                    | 3 PLACES                              | ± ---          | ± .005                              | APPROVED BY<br>JCOMERCI   |                     | DATE<br>2010/03/05                                      |  <b>MOLEX INCORPORATED</b><br>DOCUMENT NO. <b>SD-45971-001</b> |  |  |  |
|   |                    | 2 PLACES                              | ± ---          | ± ---                               | MATERIAL NO.  |                     | SHEET NO.<br>3 OF 10                                    |   |  |  |  |
| 1 PLACE   | ± ---              | ± ---                                 | ANGULAR ± ---° |                                     | DRAFT WHERE APPLICABLE MUST REMAIN WITHIN DIMENSIONS<br><b>SEE CHART</b><br>THIS DRAWING CONTAINS INFORMATION THAT IS PROPRIETARY TO MOLEX INCORPORATED AND SHOULD NOT BE USED WITHOUT WRITTEN PERMISSION |                     |   |   |  |  |  |


| 6                           |       | 5           |            | 4           |            | 3           |  |
|-----------------------------|-------|-------------|------------|-------------|------------|-------------|--|
| DIM R: (REF)                |       | 5.0 MM      |            | 6.0 MM      |            | 8.0 MM      |  |
| DIM R:<br>HOUSING<br>HEIGHT |       |             |            |             |            |             |  |
| POSITION                    |       | MATERIAL NO |            | MATERIAL NO |            | MATERIAL NO |  |
| 19                          | 1.232 | 45971-0163  | 45971-0263 | 45971-0363  | 45971-0463 | 45971-0563  |  |
| 10                          | 0.782 | 45971-1163  | 45971-1263 | 45971-1363  | 45971-1463 | 45971-1563  |  |
| 20                          | 1.282 | 45971-2163  | 45971-2263 | 45971-2363  | 45971-2463 | 45971-2563  |  |
| 30                          | 1.782 | 45971-3163  | 45971-3263 | 45971-3363  | 45971-3463 | 45971-3563  |  |
| 40                          | 2.282 | 45971-4163  | 45971-4263 | 45971-4363  | 45971-4463 | 45971-4563  |  |
| 50                          | 2.782 | 45971-5163  | 45971-5263 | 45971-5363  | 45971-5463 | 45971-5563  |  |
| 15                          | 1.032 | 45971-6163  | 45971-6263 | 45971-6363  | 45971-6463 | 45971-6563  |  |
| 25                          | 1.532 | 45971-7163  | 45971-7263 | 45971-7363  | 45971-7463 | 45971-7563  |  |
| 35                          | 2.032 | 45971-8163  | 45971-8263 | 45971-8363  | 45971-8463 | 45971-8563  |  |
| 45                          | 2.532 | 45971-9163  | 45971-9263 | 45971-9363  | 45971-9463 | 45971-9563  |  |

STACK HEIGHTS GIVEN IN METRIC FOR REF ONLY

| 6                           |       | 5           |            | 4           |            | 3           |  |
|-----------------------------|-------|-------------|------------|-------------|------------|-------------|--|
| DIM R: (REF)                |       | 5.0 MM      |            | 6.0 MM      |            | 8.0 MM      |  |
| DIM R:<br>HOUSING<br>HEIGHT |       |             |            |             |            |             |  |
| POSITION                    |       | MATERIAL NO |            | MATERIAL NO |            | MATERIAL NO |  |
| 19                          | 1.232 | 45971-0167  | 45971-0267 | 45971-0367  | 45971-0467 | 45971-0567  |  |
| 10                          | 0.782 | 45971-1167  | 45971-1267 | 45971-1367  | 45971-1467 | 45971-1567  |  |
| 20                          | 1.282 | 45971-2167  | 45971-2267 | 45971-2367  | 45971-2467 | 45971-2567  |  |
| 30                          | 1.782 | 45971-3167  | 45971-3267 | 45971-3367  | 45971-3467 | 45971-3567  |  |
| 40                          | 2.282 | 45971-4167  | 45971-4267 | 45971-4367  | 45971-4467 | 45971-4567  |  |
| 50                          | 2.782 | 45971-5167  | 45971-5267 | 45971-5367  | 45971-5467 | 45971-5567  |  |
| 15                          | 1.032 | 45971-6167  | 45971-6267 | 45971-6367  | 45971-6467 | 45971-6567  |  |
| 25                          | 1.532 | 45971-7167  | 45971-7267 | 45971-7367  | 45971-7467 | 45971-7567  |  |
| 35                          | 2.032 | 45971-8167  | 45971-8267 | 45971-8367  | 45971-8467 | 45971-8567  |  |
| 45                          | 2.532 | 45971-9167  | 45971-9267 | 45971-9367  | 45971-9467 | 45971-9567  |  |

STACK HEIGHTS GIVEN IN METRIC FOR REF ONLY

NOTES:  
1. THIS SHEET CONTAINS THE FOLLOWING OPTIONS  
NO OF ROWS: 6  
SOLDER CHARGE: TIN / LEAD  
PACKAGING: TRAYS AND TAPE AND REEL

|   |                    |                                       |                |                                     |                                     |  |  |                        |  |
|---|--------------------|---------------------------------------|----------------|-------------------------------------|-------------------------------------|--|--|------------------------|--|
| SEE SHEET 1<br>EC NO: UCP2010-2270<br>DRWN: TGREGORI 2010/03/05<br>CHKD: JCOMERCI 2005/05/17<br>APPR: JCOMERCI 2010/03/05 | DESCRIPTION<br>REV | GENERAL TOLERANCES (UNLESS SPECIFIED) |                | DIMENSION STYLE<br><b>INCH ONLY</b> |                                     | SCALE<br><b>1:1</b>  | DESIGN UNITS<br><b>INCH</b>  | THIRD ANGLE PROJECTION |  |
|   |                    |                                       | mm             | INCH                                | DRAWN BY<br>TGREGORI                | DATE<br>2005/05/17   | TITLE<br><b>SEARAY<br/>RECEPTACLE ASSEMBLY<br/>.050 CENTERS</b><br><br> <b>MOLEX INCORPORATED</b> |                        |  |
|   |                    | 4 PLACES                              | ± .005         | ± .005                              | CHECKED BY<br>JCOMERCI              | DATE<br>2005/05/17   |  |                        |  |
|   |                    | 3 PLACES                              | ± .005         | ± .005                              | APPROVED BY<br>JCOMERCI             | DATE<br>2010/03/05   |  |                        |  |
|   |                    | 2 PLACES                              | ± .005         | ± .005                              | MATERIAL NO.                        |  |  |                        |  |
| 1 PLACE   | ± .005             | ± .005                                | ANGULAR ± ---° |                                     | DOCUMENT NO.<br><b>SD-45971-001</b> |  | SHEET NO.<br>4 OF 10   |                        |  |
| DRAFT WHERE APPLICABLE<br>MUST REMAIN<br>WITHIN DIMENSIONS  |                    |                                       | SEE CHART      |                                     |                                     | THIS DRAWING CONTAINS INFORMATION THAT IS PROPRIETARY TO MOLEX<br>INCORPORATED AND SHOULD NOT BE USED WITHOUT WRITTEN PERMISSION |  |                        |  |

| 6                           |       | 5           |             | 4           |             | 3           |             | 2           |             | 1           |             |  |
|-----------------------------|-------|-------------|-------------|-------------|-------------|-------------|-------------|-------------|-------------|-------------|-------------|--|
| DIM R: (REF)                |       | 5.0 MM      |             | 6.0 MM      |             | 6.5 MM      |             | 7.5 MM      |             | 8.0 MM      |             | STACK HEIGHTS GIVEN IN METRIC FOR REF ONLY |
| DIM R:<br>HOUSING<br>HEIGHT |       |             |             |             |             |             |             |             |             |             |             |  |
|                             |       | .199        |             | .238        |             | .258        |             | .297        |             | .297        |             |  |
| POSITION                    | DIM M | MATERIAL NO | MATERIAL NO | MATERIAL NO | MATERIAL NO | MATERIAL NO | MATERIAL NO | MATERIAL NO | MATERIAL NO | MATERIAL NO | MATERIAL NO |  |
| 19                          | 1.232 | 45971-0181  | 45971-0281  | 45971-0381  | 45971-0481  | 45971-0581  | 45971-0681  | 45971-0781  | 45971-0881  | 45971-0981  | 45971-1081  |  |
| 10                          | 0.782 | 45971-1181  | 45971-1281  | 45971-1381  | 45971-1481  | 45971-1581  | 45971-1681  | 45971-1781  | 45971-1881  | 45971-1981  | 45971-2081  |  |
| 20                          | 1.282 | 45971-2181  | 45971-2281  | 45971-2381  | 45971-2481  | 45971-2581  | 45971-2681  | 45971-2781  | 45971-2881  | 45971-2981  | 45971-3081  |  |
| 30                          | 1.782 | 45971-3181  | 45971-3281  | 45971-3381  | 45971-3481  | 45971-3581  | 45971-3681  | 45971-3781  | 45971-3881  | 45971-3981  | 45971-4081  |  |
| 40                          | 2.282 | 45971-4181  | 45971-4281  | 45971-4381  | 45971-4481  | 45971-4581  | 45971-4681  | 45971-4781  | 45971-4881  | 45971-4981  | 45971-5081  |  |
| 50                          | 2.782 | 45971-5181  | 45971-5281  | 45971-5381  | 45971-5481  | 45971-5581  | 45971-5681  | 45971-5781  | 45971-5881  | 45971-5981  | 45971-6081  |  |
| 15                          | 1.032 | 45971-6181  | 45971-6281  | 45971-6381  | 45971-6481  | 45971-6581  | 45971-6681  | 45971-6781  | 45971-6881  | 45971-6981  | 45971-7081  |  |
| 25                          | 1.532 | 45971-7181  | 45971-7281  | 45971-7381  | 45971-7481  | 45971-7581  | 45971-7681  | 45971-7781  | 45971-7881  | 45971-7981  | 45971-8081  |  |
| 35                          | 2.032 | 45971-8181  | 45971-8281  | 45971-8381  | 45971-8481  | 45971-8581  | 45971-8681  | 45971-8781  | 45971-8881  | 45971-8981  | 45971-9081  |  |
| 45                          | 2.532 | 45971-9181  | 45971-9281  | 45971-9381  | 45971-9481  | 45971-9581  | 45971-9681  | 45971-9781  | 45971-9881  | 45971-9981  | 45971-10081 |  |

| 6                           |       | 5           |             | 4           |             | 3           |             | 2           |             | 1           |             |  |
|-----------------------------|-------|-------------|-------------|-------------|-------------|-------------|-------------|-------------|-------------|-------------|-------------|--|
| DIM R: (REF)                |       | 5.0 MM      |             | 6.0 MM      |             | 6.5 MM      |             | 7.5 MM      |             | 8.0 MM      |             | STACK HEIGHTS GIVEN IN METRIC FOR REF ONLY |
| DIM R:<br>HOUSING<br>HEIGHT |       |             |             |             |             |             |             |             |             |             |             |  |
|                             |       | .199        |             | .238        |             | .258        |             | .297        |             | .297        |             |  |
| POSITION                    | DIM M | MATERIAL NO | MATERIAL NO | MATERIAL NO | MATERIAL NO | MATERIAL NO | MATERIAL NO | MATERIAL NO | MATERIAL NO | MATERIAL NO | MATERIAL NO |  |
| 19                          | 1.232 | 45971-0185  | 45971-0285  | 45971-0385  | 45971-0485  | 45971-0585  | 45971-0685  | 45971-0785  | 45971-0885  | 45971-0985  | 45971-1085  |  |
| 10                          | 0.782 | 45971-1185  | 45971-1285  | 45971-1385  | 45971-1485  | 45971-1585  | 45971-1685  | 45971-1785  | 45971-1885  | 45971-1985  | 45971-2085  |  |
| 20                          | 1.282 | 45971-2185  | 45971-2285  | 45971-2385  | 45971-2485  | 45971-2585  | 45971-2685  | 45971-2785  | 45971-2885  | 45971-2985  | 45971-3085  |  |
| 30                          | 1.782 | 45971-3185  | 45971-3285  | 45971-3385  | 45971-3485  | 45971-3585  | 45971-3685  | 45971-3785  | 45971-3885  | 45971-3985  | 45971-4085  |  |
| 40                          | 2.282 | 45971-4185  | 45971-4285  | 45971-4385  | 45971-4485  | 45971-4585  | 45971-4685  | 45971-4785  | 45971-4885  | 45971-4985  | 45971-5085  |  |
| 50                          | 2.782 | 45971-5185  | 45971-5285  | 45971-5385  | 45971-5485  | 45971-5585  | 45971-5685  | 45971-5785  | 45971-5885  | 45971-5985  | 45971-6085  |  |
| 15                          | 1.032 | 45971-6185  | 45971-6285  | 45971-6385  | 45971-6485  | 45971-6585  | 45971-6685  | 45971-6785  | 45971-6885  | 45971-6985  | 45971-7085  |  |
| 25                          | 1.532 | 45971-7185  | 45971-7285  | 45971-7385  | 45971-7485  | 45971-7585  | 45971-7685  | 45971-7785  | 45971-7885  | 45971-7985  | 45971-8085  |  |
| 35                          | 2.032 | 45971-8185  | 45971-8285  | 45971-8385  | 45971-8485  | 45971-8585  | 45971-8685  | 45971-8785  | 45971-8885  | 45971-8985  | 45971-9085  |  |
| 45                          | 2.532 | 45971-9185  | 45971-9285  | 45971-9385  | 45971-9485  | 45971-9585  | 45971-9685  | 45971-9785  | 45971-9885  | 45971-9985  | 45971-10085 |  |

NOTES:  
 1. THIS SHEET CONTAINS THE FOLLOWING OPTIONS  
 NO OF ROWS: 8  
 SOLDER CHARGE: TIN  
 PACKAGING: TRAYS AND TAPE AND REEL

|  |                    |                                       |       |  |           |   |                             |  |  |  |  |                    |
|--|--------------------|---------------------------------------|-------|--|-----------|---|-----------------------------|--|--|--|--|--------------------|
| SEE SHEET 1<br>EC NO: UCP2010-2270<br>DRWN: TGREGORI 2010/03/05<br>CH'KD: JCOMERCI 2005/05/17<br>APPR: JCOMERCI 2010/03/05 | DESCRIPTION<br>REV | GENERAL TOLERANCES (UNLESS SPECIFIED) |       | DIMENSION STYLE<br><b>INCH ONLY</b>                  |           | SCALE<br><b>1:1</b>   | DESIGN UNITS<br><b>INCH</b> | THIRD ANGLE PROJECTION   |  |  |  |                    |
|  |                    |                                       |       | mm   | INCH      | DRAWN BY<br>TGREGORI  | DATE<br>2005/05/17          | TITLE<br><b>SEARAY RECEPTACLE ASSEMBLY .050 CENTERS</b><br><br><b>MOLEX INCORPORATED</b><br>DOCUMENT NO. <b>SD-45971-001</b> |  |  |  |                    |
|  |                    |                                       |       | 4 PLACES   | ± ---     | ± ---   | CHECKED BY<br>JCOMERCI      |  |  |  |  | DATE<br>2005/05/17 |
|  |                    |                                       |       | 3 PLACES   | ± ---     | ± .005  | APPROVED BY<br>JCOMERCI     |  |  |  |  | DATE<br>2010/03/05 |
|  |                    |                                       |       | 2 PLACES   | ± ---     | ± ---   | MATERIAL NO.                |  |  |  |  |                    |
|  |                    | 1 PLACE                               | ± --- | ± ---  | SEE CHART |   | SHEET NO.<br>5 OF 10        |  |  |  |  |                    |
|  |                    | ANGULAR ± ---°                        |       | DRAFT WHERE APPLICABLE MUST REMAIN WITHIN DIMENSIONS |           | THIS DRAWING CONTAINS INFORMATION THAT IS PROPRIETARY TO MOLEX INCORPORATED AND SHOULD NOT BE USED WITHOUT WRITTEN PERMISSION |                             |  |  |  |  |                    |


| 6                           |       | 5           |            | 4           |            | 3           |  |
|-----------------------------|-------|-------------|------------|-------------|------------|-------------|--|
| DIM R: (REF)                |       | 5.0 MM      |            | 6.0 MM      |            | 8.0 MM      |  |
| DIM R:<br>HOUSING<br>HEIGHT |       |             |            |             |            |             |  |
| POSITION                    |       | MATERIAL NO |            | MATERIAL NO |            | MATERIAL NO |  |
| 19                          | 1.232 | 45971-0183  | 45971-0283 | 45971-0383  | 45971-0483 | 45971-0583  |  |
| 10                          | 0.782 | 45971-1183  | 45971-1283 | 45971-1383  | 45971-1483 | 45971-1583  |  |
| 20                          | 1.282 | 45971-2183  | 45971-2283 | 45971-2383  | 45971-2483 | 45971-2583  |  |
| 30                          | 1.782 | 45971-3183  | 45971-3283 | 45971-3383  | 45971-3483 | 45971-3583  |  |
| 40                          | 2.282 | 45971-4183  | 45971-4283 | 45971-4383  | 45971-4483 | 45971-4583  |  |
| 50                          | 2.782 | 45971-5183  | 45971-5283 | 45971-5383  | 45971-5483 | 45971-5583  |  |
| 15                          | 1.032 | 45971-6183  | 45971-6283 | 45971-6383  | 45971-6483 | 45971-6583  |  |
| 25                          | 1.532 | 45971-7183  | 45971-7283 | 45971-7383  | 45971-7483 | 45971-7583  |  |
| 35                          | 2.032 | 45971-8183  | 45971-8283 | 45971-8383  | 45971-8483 | 45971-8583  |  |
| 45                          | 2.532 | 45971-9183  | 45971-9283 | 45971-9383  | 45971-9483 | 45971-9583  |  |

STACK HEIGHTS GIVEN IN METRIC FOR REF ONLY

| 6                           |       | 5           |            | 4           |            | 3           |  |
|-----------------------------|-------|-------------|------------|-------------|------------|-------------|--|
| DIM R: (REF)                |       | 5.0 MM      |            | 6.0 MM      |            | 8.0 MM      |  |
| DIM R:<br>HOUSING<br>HEIGHT |       |             |            |             |            |             |  |
| POSITION                    |       | MATERIAL NO |            | MATERIAL NO |            | MATERIAL NO |  |
| 19                          | 1.232 | 45971-0187  | 45971-0287 | 45971-0387  | 45971-0487 | 45971-0587  |  |
| 10                          | 0.782 | 45971-1187  | 45971-1287 | 45971-1387  | 45971-1487 | 45971-1587  |  |
| 20                          | 1.282 | 45971-2187  | 45971-2287 | 45971-2387  | 45971-2487 | 45971-2587  |  |
| 30                          | 1.782 | 45971-3187  | 45971-3287 | 45971-3387  | 45971-3487 | 45971-3587  |  |
| 40                          | 2.282 | 45971-4187  | 45971-4287 | 45971-4387  | 45971-4487 | 45971-4587  |  |
| 50                          | 2.782 | 45971-5187  | 45971-5287 | 45971-5387  | 45971-5487 | 45971-5587  |  |
| 15                          | 1.032 | 45971-6187  | 45971-6287 | 45971-6387  | 45971-6487 | 45971-6587  |  |
| 25                          | 1.532 | 45971-7187  | 45971-7287 | 45971-7387  | 45971-7487 | 45971-7587  |  |
| 35                          | 2.032 | 45971-8187  | 45971-8287 | 45971-8387  | 45971-8487 | 45971-8587  |  |
| 45                          | 2.532 | 45971-9187  | 45971-9287 | 45971-9387  | 45971-9487 | 45971-9587  |  |

STACK HEIGHTS GIVEN IN METRIC FOR REF ONLY

NOTES:  
 1. THIS SHEET CONTAINS THE FOLLOWING OPTIONS  
 NO OF ROWS: 8  
 SOLDER CHARGE: TIN / LEAD  
 PACKAGING: TRAYS AND TAPE AND REEL

|   |                    |  |  |   |  |  |                             |                        |  |
|---|--------------------|--|--|---|--|--|-----------------------------|------------------------|--|
| SEE SHEET 1<br>EC NO: UCP2010-2270<br>DRWN: TGREGORI 2010/03/05<br>CHKD: JCOMERCI 2005/05/17<br>APPR: JCOMERCI 2010/03/05 | DESCRIPTION<br>REV | GENERAL TOLERANCES (UNLESS SPECIFIED)                |  | DIMENSION STYLE<br><b>INCH ONLY</b>     |  | SCALE<br><b>1:1</b>  | DESIGN UNITS<br><b>INCH</b> | THIRD ANGLE PROJECTION |  |
|   |                    | 4 PLACES ± --- ± ---                                 |  | DRAWN BY DATE<br>TGREGORI 2005/05/17    |  | TITLE<br><b>SEARAY RECEPTACLE ASSEMBLY .050 CENTERS</b>  |                             |                        |  |
|   |                    | 3 PLACES ± --- ± .005                                |  | CHECKED BY DATE<br>JCOMERCI 2005/05/17  |  |  |                             |                        |  |
|   |                    | 2 PLACES ± --- ± ---                                 |  | APPROVED BY DATE<br>JCOMERCI 2010/03/05 |  |  <b>MOLEX INCORPORATED</b><br>DOCUMENT NO. <b>SD-45971-001</b> SHEET NO. <b>6 OF 10</b> |                             |                        |  |
|   |                    | 1 PLACE ± --- ± ---                                  |  | MATERIAL NO.<br><b>SEE CHART</b>        |  |  |                             |                        |  |
| ANGULAR ± ---°  |                    | DRAFT WHERE APPLICABLE MUST REMAIN WITHIN DIMENSIONS |  | SIZE <b>A</b>                           |  | THIS DRAWING CONTAINS INFORMATION THAT IS PROPRIETARY TO MOLEX INCORPORATED AND SHOULD NOT BE USED WITHOUT WRITTEN PERMISSION  |                             |                        |  |



| 6                           |       | 5           |            | 4           |            | 3           |  |
|-----------------------------|-------|-------------|------------|-------------|------------|-------------|--|
| DIM R: (REF)                |       | 5.0 MM      |            | 6.0 MM      |            | 8.0 MM      |  |
| DIM R:<br>HOUSING<br>HEIGHT |       |             |            |             |            |             |  |
| POSITION                    |       | MATERIAL NO |            | MATERIAL NO |            | MATERIAL NO |  |
| 19                          | 1.232 | 45971-0111  | 45971-0211 | 45971-0311  | 45971-0411 | 45971-0511  |  |
| 10                          | 0.782 | 45971-1111  | 45971-1211 | 45971-1311  | 45971-1411 | 45971-1511  |  |
| 20                          | 1.282 | 45971-2111  | 45971-2211 | 45971-2311  | 45971-2411 | 45971-2511  |  |
| 30                          | 1.782 | 45971-3111  | 45971-3211 | 45971-3311  | 45971-3411 | 45971-3511  |  |
| 40                          | 2.282 | 45971-4111  | 45971-4211 | 45971-4311  | 45971-4411 | 45971-4511  |  |
| 50                          | 2.782 | 45971-5111  | 45971-5211 | 45971-5311  | 45971-5411 | 45971-5511  |  |
| 15                          | 1.032 | 45971-6111  | 45971-6211 | 45971-6311  | 45971-6411 | 45971-6511  |  |
| 25                          | 1.532 | 45971-7111  | 45971-7211 | 45971-7311  | 45971-7411 | 45971-7511  |  |
| 35                          | 2.032 | 45971-8111  | 45971-8211 | 45971-8311  | 45971-8411 | 45971-8511  |  |
| 45                          | 2.532 | 45971-9111  | 45971-9211 | 45971-9311  | 45971-9411 | 45971-9511  |  |

STACK HEIGHTS GIVEN IN METRIC FOR REF ONLY

| 6                           |       | 5           |            | 4           |            | 3           |  |
|-----------------------------|-------|-------------|------------|-------------|------------|-------------|--|
| DIM R: (REF)                |       | 5.0 MM      |            | 6.0 MM      |            | 8.0 MM      |  |
| DIM R:<br>HOUSING<br>HEIGHT |       |             |            |             |            |             |  |
| POSITION                    |       | MATERIAL NO |            | MATERIAL NO |            | MATERIAL NO |  |
| 19                          | 1.232 | 45971-0115  | 45971-0215 | 45971-0315  | 45971-0415 | 45971-0515  |  |
| 10                          | 0.782 | 45971-1115  | 45971-1215 | 45971-1315  | 45971-1415 | 45971-1515  |  |
| 20                          | 1.282 | 45971-2115  | 45971-2215 | 45971-2315  | 45971-2415 | 45971-2515  |  |
| 30                          | 1.782 | 45971-3115  | 45971-3215 | 45971-3315  | 45971-3415 | 45971-3515  |  |
| 40                          | 2.282 | 45971-4115  | 45971-4215 | 45971-4315  | 45971-4415 | 45971-4515  |  |
| 50                          | 2.782 | 45971-5115  | 45971-5215 | 45971-5315  | 45971-5415 | 45971-5515  |  |
| 15                          | 1.032 | 45971-6115  | 45971-6215 | 45971-6315  | 45971-6415 | 45971-6515  |  |
| 25                          | 1.532 | 45971-7115  | 45971-7215 | 45971-7315  | 45971-7415 | 45971-7515  |  |
| 35                          | 2.032 | 45971-8115  | 45971-8215 | 45971-8315  | 45971-8415 | 45971-8515  |  |
| 45                          | 2.532 | 45971-9115  | 45971-9215 | 45971-9315  | 45971-9415 | 45971-9515  |  |

STACK HEIGHTS GIVEN IN METRIC FOR REF ONLY

|  |             |
|--|-------------|
| SEE SHEET 1<br>EC NO: UCP2010-2270<br>DRWN: TGREGORI 2010/03/05<br>CH'KD: JCOMERC I 2005/05/17<br>APPR: JCOMERC I 2010/03/05 | DESCRIPTION |
|  | REV         |
|  | 0           |

| GENERAL TOLERANCES (UNLESS SPECIFIED)                |        |         |
|--|--------|---------|
|  | mm     | INCH    |
| 4 PLACES   | ± .005 | ± .0005 |
| 3 PLACES   | ± .005 | ± .0005 |
| 2 PLACES   | ± .005 | ± .0005 |
| 1 PLACE  | ± .005 | ± .0005 |
| ANGULAR ± .005°                                      |        |         |
| DRAFT WHERE APPLICABLE MUST REMAIN WITHIN DIMENSIONS |        |         |

| DIMENSION STYLE |            |
|-----------------|------------|
| INCH ONLY       |            |
| DRAWN BY        | DATE       |
| TGREGORI        | 2005/05/17 |
| CHECKED BY      | DATE       |
| JCOMERC I       | 2005/05/17 |
| APPROVED BY     | DATE       |
| JCOMERC I       | 2010/03/05 |
| MATERIAL NO.    |            |
| SEE CHART       |            |


|   |              |                        |
|---|--------------|------------------------|
| SCALE                                   | DESIGN UNITS | THIRD ANGLE PROJECTION |
| 1:1                                     | INCH         |                        |
| TITLE                                   |              |                        |
| SEARAY RECEPTACLE ASSEMBLY .050 CENTERS |              |                        |
| MOLEX INCORPORATED                      |              |                        |
| DOCUMENT NO.                            | SHEET NO.    |                        |
| SD-45971-001                            | 7 OF 10      |                        |

NOTES:  
 1. THIS SHEET CONTAINS THE FOLLOWING OPTIONS  
 NO OF ROWS: 10  
 SOLDER CHARGE: TIN  
 PACKAGING: TRAYS AND TAPE AND REEL

| 6                           |       | 5           |             | 4           |             | 3           |             | 2           |             | 1           |  |  |
|-----------------------------|-------|-------------|-------------|-------------|-------------|-------------|-------------|-------------|-------------|-------------|--|--|
| DIM R: (REF)                |       | 5.0 MM      |             | 6.0 MM      |             | 6.5 MM      |             | 7.5 MM      |             | 8.0 MM      |  | STACK HEIGHTS GIVEN IN METRIC FOR REF ONLY |
| DIM R:<br>HOUSING<br>HEIGHT |       |             |             |             |             |             |             |             |             |             |  |  |
|                             |       | .199        |             | .238        |             | .258        |             | .297        |             | .297        |  |  |
| POSITION                    | DIM M | MATERIAL NO | MATERIAL NO | MATERIAL NO | MATERIAL NO | MATERIAL NO | MATERIAL NO | MATERIAL NO | MATERIAL NO | MATERIAL NO |  |  |
| 19                          | 1.232 | 45971-0113  | 45971-0213  | 45971-0313  | 45971-0413  | 45971-0513  | 45971-0613  | 45971-0713  | 45971-0813  | 45971-0913  |  |  |
| 10                          | 0.782 | 45971-1113  | 45971-1213  | 45971-1313  | 45971-1413  | 45971-1513  | 45971-1613  | 45971-1713  | 45971-1813  | 45971-1913  |  |  |
| 20                          | 1.282 | 45971-2113  | 45971-2213  | 45971-2313  | 45971-2413  | 45971-2513  | 45971-2613  | 45971-2713  | 45971-2813  | 45971-2913  |  |  |
| 30                          | 1.782 | 45971-3113  | 45971-3213  | 45971-3313  | 45971-3413  | 45971-3513  | 45971-3613  | 45971-3713  | 45971-3813  | 45971-3913  |  |  |
| 40                          | 2.282 | 45971-4113  | 45971-4213  | 45971-4313  | 45971-4413  | 45971-4513  | 45971-4613  | 45971-4713  | 45971-4813  | 45971-4913  |  |  |
| 50                          | 2.782 | 45971-5113  | 45971-5213  | 45971-5313  | 45971-5413  | 45971-5513  | 45971-5613  | 45971-5713  | 45971-5813  | 45971-5913  |  |  |
| 15                          | 1.032 | 45971-6113  | 45971-6213  | 45971-6313  | 45971-6413  | 45971-6513  | 45971-6613  | 45971-6713  | 45971-6813  | 45971-6913  |  |  |
| 25                          | 1.532 | 45971-7113  | 45971-7213  | 45971-7313  | 45971-7413  | 45971-7513  | 45971-7613  | 45971-7713  | 45971-7813  | 45971-7913  |  |  |
| 35                          | 2.032 | 45971-8113  | 45971-8213  | 45971-8313  | 45971-8413  | 45971-8513  | 45971-8613  | 45971-8713  | 45971-8813  | 45971-8913  |  |  |
| 45                          | 2.532 | 45971-9113  | 45971-9213  | 45971-9313  | 45971-9413  | 45971-9513  | 45971-9613  | 45971-9713  | 45971-9813  | 45971-9913  |  |  |

| 6                           |       | 5           |             | 4           |             | 3           |             | 2           |             | 1           |  |  |
|-----------------------------|-------|-------------|-------------|-------------|-------------|-------------|-------------|-------------|-------------|-------------|--|--|
| DIM R: (REF)                |       | 5.0 MM      |             | 6.0 MM      |             | 6.5 MM      |             | 7.5 MM      |             | 8.0 MM      |  | STACK HEIGHTS GIVEN IN METRIC FOR REF ONLY |
| DIM R:<br>HOUSING<br>HEIGHT |       |             |             |             |             |             |             |             |             |             |  |  |
|                             |       | .199        |             | .238        |             | .258        |             | .297        |             | .297        |  |  |
| POSITION                    | DIM M | MATERIAL NO | MATERIAL NO | MATERIAL NO | MATERIAL NO | MATERIAL NO | MATERIAL NO | MATERIAL NO | MATERIAL NO | MATERIAL NO |  |  |
| 19                          | 1.232 | 45971-0117  | 45971-0217  | 45971-0317  | 45971-0417  | 45971-0517  | 45971-0617  | 45971-0717  | 45971-0817  | 45971-0917  |  |  |
| 10                          | 0.782 | 45971-1117  | 45971-1217  | 45971-1317  | 45971-1417  | 45971-1517  | 45971-1617  | 45971-1717  | 45971-1817  | 45971-1917  |  |  |
| 20                          | 1.282 | 45971-2117  | 45971-2217  | 45971-2317  | 45971-2417  | 45971-2517  | 45971-2617  | 45971-2717  | 45971-2817  | 45971-2917  |  |  |
| 30                          | 1.782 | 45971-3117  | 45971-3217  | 45971-3317  | 45971-3417  | 45971-3517  | 45971-3617  | 45971-3717  | 45971-3817  | 45971-3917  |  |  |
| 40                          | 2.282 | 45971-4117  | 45971-4217  | 45971-4317  | 45971-4417  | 45971-4517  | 45971-4617  | 45971-4717  | 45971-4817  | 45971-4917  |  |  |
| 50                          | 2.782 | 45971-5117  | 45971-5217  | 45971-5317  | 45971-5417  | 45971-5517  | 45971-5617  | 45971-5717  | 45971-5817  | 45971-5917  |  |  |
| 15                          | 1.032 | 45971-6117  | 45971-6217  | 45971-6317  | 45971-6417  | 45971-6517  | 45971-6617  | 45971-6717  | 45971-6817  | 45971-6917  |  |  |
| 25                          | 1.532 | 45971-7117  | 45971-7217  | 45971-7317  | 45971-7417  | 45971-7517  | 45971-7617  | 45971-7717  | 45971-7817  | 45971-7917  |  |  |
| 35                          | 2.032 | 45971-8117  | 45971-8217  | 45971-8317  | 45971-8417  | 45971-8517  | 45971-8617  | 45971-8717  | 45971-8817  | 45971-8917  |  |  |
| 45                          | 2.532 | 45971-9117  | 45971-9217  | 45971-9317  | 45971-9417  | 45971-9517  | 45971-9617  | 45971-9717  | 45971-9817  | 45971-9917  |  |  |

NOTES:  
 1. THIS SHEET CONTAINS THE FOLLOWING OPTIONS  
 NO OF ROWS: 10  
 SOLDER CHARGE: TIN / LEAD  
 PACKAGING: TRAYS AND TAPE AND REEL

|  |                    |                                       |  |                              |                         |                    |  |                        |  |  |
|--|--------------------|---------------------------------------|--|------------------------------|-------------------------|--------------------|--|------------------------|--|--|
| SEE SHEET 1<br>EC NO: UCP2010-2270<br>DRWN: TGREGORI 2010/03/05<br>CH'KD: JCOMERCI 2005/05/17<br>APPR: JCOMERCI 2010/03/05       | DESCRIPTION<br>REV | GENERAL TOLERANCES (UNLESS SPECIFIED) |  | DIMENSION STYLE<br>INCH ONLY |                         | SCALE<br>1:1       | DESIGN UNITS<br>INCH   | THIRD ANGLE PROJECTION |  |  |
|  |                    | 4 PLACES                              | ± ---  | ± ---                        | DRAWN BY<br>TGREGORI    | DATE<br>2005/05/17 | TITLE<br><b>SEARAY<br/>         RECEPTACLE ASSEMBLY<br/>         .050 CENTERS</b><br><br> <b>MOLEX INCORPORATED</b> |                        |  |  |
|  |                    | 3 PLACES                              | ± ---  | ± .005                       | CHECKED BY<br>JCOMERCI  | DATE<br>2005/05/17 |  |                        |  |  |
|  |                    | 2 PLACES                              | ± ---  | ± ---                        | APPROVED BY<br>JCOMERCI | DATE<br>2010/03/05 |  |                        |  |  |
|  |                    | 1 PLACE                               | ± ---  | ± ---                        | MATERIAL NO.            |                    |  |                        |  |  |
| ANGULAR ± ---°   |                    |                                       | DRAFT WHERE APPLICABLE<br>MUST REMAIN<br>WITHIN DIMENSIONS |                              | SEE CHART               |                    | DOCUMENT NO.<br>SD-45971-001   | SHEET NO.<br>8 OF 10   |  |  |
| THIS DRAWING CONTAINS INFORMATION THAT IS PROPRIETARY TO MOLEX<br>INCORPORATED AND SHOULD NOT BE USED WITHOUT WRITTEN PERMISSION |                    |                                       |  |                              |                         |                    |  |                        |  |  |


| 6                           |       | 5           |             | 4           |             | 3           |             | 2           |             | 1           |             |
|-----------------------------|-------|-------------|-------------|-------------|-------------|-------------|-------------|-------------|-------------|-------------|-------------|
| DIM R: (REF)                |       | 5.0 MM      |             | 6.0 MM      |             | 6.5 MM      |             | 7.5 MM      |             | 8.0 MM      |             |
| DIM R:<br>HOUSING<br>HEIGHT |       |             |             |             |             |             |             |             |             |             |             |
|                             |       | .199        |             | .238        |             | .258        |             | .297        |             | .297        |             |
| POSITION                    | DIM M | MATERIAL NO | MATERIAL NO | MATERIAL NO | MATERIAL NO | MATERIAL NO | MATERIAL NO | MATERIAL NO | MATERIAL NO | MATERIAL NO | MATERIAL NO |
| 19                          | 1.232 | 45971-0121  | 45971-0221  | 45971-0321  | 45971-0421  | 45971-0521  | 45971-0621  | 45971-0721  | 45971-0821  | 45971-0921  | 45971-1021  |
| 10                          | 0.782 | 45971-1121  | 45971-1221  | 45971-1321  | 45971-1421  | 45971-1521  | 45971-1621  | 45971-1721  | 45971-1821  | 45971-1921  | 45971-2021  |
| 20                          | 1.282 | 45971-2121  | 45971-2221  | 45971-2321  | 45971-2421  | 45971-2521  | 45971-2621  | 45971-2721  | 45971-2821  | 45971-2921  | 45971-3021  |
| 30                          | 1.782 | 45971-3121  | 45971-3221  | 45971-3321  | 45971-3421  | 45971-3521  | 45971-3621  | 45971-3721  | 45971-3821  | 45971-3921  | 45971-4021  |
| 40                          | 2.282 | 45971-4121  | 45971-4221  | 45971-4321  | 45971-4421  | 45971-4521  | 45971-4621  | 45971-4721  | 45971-4821  | 45971-4921  | 45971-5021  |
| 50                          | 2.782 | 45971-5121  | 45971-5221  | 45971-5321  | 45971-5421  | 45971-5521  | 45971-5621  | 45971-5721  | 45971-5821  | 45971-5921  | 45971-6021  |
| 15                          | 1.032 | 45971-6121  | 45971-6221  | 45971-6321  | 45971-6421  | 45971-6521  | 45971-6621  | 45971-6721  | 45971-6821  | 45971-6921  | 45971-7021  |
| 25                          | 1.532 | 45971-7121  | 45971-7221  | 45971-7321  | 45971-7421  | 45971-7521  | 45971-7621  | 45971-7721  | 45971-7821  | 45971-7921  | 45971-8021  |
| 35                          | 2.032 | 45971-8121  | 45971-8221  | 45971-8321  | 45971-8421  | 45971-8521  | 45971-8621  | 45971-8721  | 45971-8821  | 45971-8921  | 45971-9021  |
| 45                          | 2.532 | 45971-9121  | 45971-9221  | 45971-9321  | 45971-9421  | 45971-9521  | 45971-9621  | 45971-9721  | 45971-9821  | 45971-9921  | 45971-10021 |

STACK HEIGHTS GIVEN IN METRIC FOR REF ONLY

| 6                           |       | 5           |             | 4           |             | 3           |             | 2           |             | 1           |             |
|-----------------------------|-------|-------------|-------------|-------------|-------------|-------------|-------------|-------------|-------------|-------------|-------------|
| DIM R: (REF)                |       | 5.0 MM      |             | 6.0 MM      |             | 6.5 MM      |             | 7.5 MM      |             | 8.0 MM      |             |
| DIM R:<br>HOUSING<br>HEIGHT |       |             |             |             |             |             |             |             |             |             |             |
|                             |       | .199        |             | .238        |             | .258        |             | .297        |             | .297        |             |
| POSITION                    | DIM M | MATERIAL NO | MATERIAL NO | MATERIAL NO | MATERIAL NO | MATERIAL NO | MATERIAL NO | MATERIAL NO | MATERIAL NO | MATERIAL NO | MATERIAL NO |
| 19                          | 1.232 | 45971-0125  | 45971-0225  | 45971-0325  | 45971-0425  | 45971-0525  | 45971-0625  | 45971-0725  | 45971-0825  | 45971-0925  | 45971-1025  |
| 10                          | 0.782 | 45971-1125  | 45971-1225  | 45971-1325  | 45971-1425  | 45971-1525  | 45971-1625  | 45971-1725  | 45971-1825  | 45971-1925  | 45971-2025  |
| 20                          | 1.282 | 45971-2125  | 45971-2225  | 45971-2325  | 45971-2425  | 45971-2525  | 45971-2625  | 45971-2725  | 45971-2825  | 45971-2925  | 45971-3025  |
| 30                          | 1.782 | 45971-3125  | 45971-3225  | 45971-3325  | 45971-3425  | 45971-3525  | 45971-3625  | 45971-3725  | 45971-3825  | 45971-3925  | 45971-4025  |
| 40                          | 2.282 | 45971-4125  | 45971-4225  | 45971-4325  | 45971-4425  | 45971-4525  | 45971-4625  | 45971-4725  | 45971-4825  | 45971-4925  | 45971-5025  |
| 50                          | 2.782 | 45971-5125  | 45971-5225  | 45971-5325  | 45971-5425  | 45971-5525  | 45971-5625  | 45971-5725  | 45971-5825  | 45971-5925  | 45971-6025  |
| 15                          | 1.032 | 45971-6125  | 45971-6225  | 45971-6325  | 45971-6425  | 45971-6525  | 45971-6625  | 45971-6725  | 45971-6825  | 45971-6925  | 45971-7025  |
| 25                          | 1.532 | 45971-7125  | 45971-7225  | 45971-7325  | 45971-7425  | 45971-7525  | 45971-7625  | 45971-7725  | 45971-7825  | 45971-7925  | 45971-8025  |
| 35                          | 2.032 | 45971-8125  | 45971-8225  | 45971-8325  | 45971-8425  | 45971-8525  | 45971-8625  | 45971-8725  | 45971-8825  | 45971-8925  | 45971-9025  |
| 45                          | 2.532 | 45971-9125  | 45971-9225  | 45971-9325  | 45971-9425  | 45971-9525  | 45971-9625  | 45971-9725  | 45971-9825  | 45971-9925  | 45971-10025 |

STACK HEIGHTS GIVEN IN METRIC FOR REF ONLY


NOTES:  
 1. THIS SHEET CONTAINS THE FOLLOWING OPTIONS  
 NO OF ROWS: 12  
 SOLDER CHARGE: TIN  
 PACKAGING: TRAYS AND TAPE AND REEL

|  |             |                                       |             |                                     |           |   |  |                        |  |  |
|--|-------------|---------------------------------------|-------------|-------------------------------------|-----------|---|--|------------------------|--|--|
| SEE SHEET 1<br>EC NO: UCP2010-2270<br>DRWN: TGREGORI 2010/03/05<br>CH'KD: JCOMERC I 2005/05/17<br>APPR: JCOMERC I 2010/03/05 | DESCRIPTION | GENERAL TOLERANCES (UNLESS SPECIFIED) |             | DIMENSION STYLE<br><b>INCH ONLY</b> |           | SCALE<br><b>3:1</b>   | DESIGN UNITS<br><b>INCH</b>  | THIRD ANGLE PROJECTION |  |  |
|  |             |                                       | mm          | INCH                                | DRAWN BY  | DATE  | TITLE<br><b>SEARAY RECEPTACLE ASSEMBLY .050 CENTERS</b><br> <b>MOLEX INCORPORATED</b><br>DOCUMENT NO. <b>SD-45971-001</b> |                        |  |  |
|  |             | 4 PLACES                              | ± ---       | ± ---                               | TGREGORI  | 2005/05/17  |  |                        |  |  |
|  |             | 3 PLACES                              | ± ---       | ± .005                              | JCOMERC I | 2005/05/17  |  |                        |  |  |
|  |             | 2 PLACES                              | ± ---       | ± ---                               | JCOMERC I | 2010/03/05  |  |                        |  |  |
| 1 PLACE  | ± ---       | ± ---                                 | APPROVED BY |                                     | DATE      | SHEET NO.<br><b>9 OF 10</b>   |  |                        |  |  |
| ANGULAR ± ---°   |             | MATERIAL NO.                          |             | DATE                                |           |   |  |                        |  |  |
| DRAFT WHERE APPLICABLE MUST REMAIN WITHIN DIMENSIONS   |             |                                       |             | SEE CHART                           |           | THIS DRAWING CONTAINS INFORMATION THAT IS PROPRIETARY TO MOLEX INCORPORATED AND SHOULD NOT BE USED WITHOUT WRITTEN PERMISSION |  |                        |  |  |

| 6                           |       | 5           |             | 4           |             | 3           |             | 2           |             | 1           |  |  |
|-----------------------------|-------|-------------|-------------|-------------|-------------|-------------|-------------|-------------|-------------|-------------|--|--|
| DIM R: (REF)                |       | 5.0 MM      |             | 6.0 MM      |             | 6.5 MM      |             | 7.5 MM      |             | 8.0 MM      |  | STACK HEIGHTS GIVEN IN METRIC FOR REF ONLY |
| DIM R:<br>HOUSING<br>HEIGHT |       |             |             |             |             |             |             |             |             |             |  |  |
|                             |       | .199        |             | .238        |             | .258        |             | .297        |             | .297        |  |  |
| POSITION                    | DIM M | MATERIAL NO | MATERIAL NO | MATERIAL NO | MATERIAL NO | MATERIAL NO | MATERIAL NO | MATERIAL NO | MATERIAL NO | MATERIAL NO |  |  |
| 19                          | 1.232 | 45971-0123  | 45971-0223  | 45971-0323  | 45971-0423  | 45971-0523  | 45971-0623  | 45971-0723  | 45971-0823  | 45971-0923  |  |  |
| 10                          | 0.782 | 45971-1123  | 45971-1223  | 45971-1323  | 45971-1423  | 45971-1523  | 45971-1623  | 45971-1723  | 45971-1823  | 45971-1923  |  |  |
| 20                          | 1.282 | 45971-2123  | 45971-2223  | 45971-2323  | 45971-2423  | 45971-2523  | 45971-2623  | 45971-2723  | 45971-2823  | 45971-2923  |  |  |
| 30                          | 1.782 | 45971-3123  | 45971-3223  | 45971-3323  | 45971-3423  | 45971-3523  | 45971-3623  | 45971-3723  | 45971-3823  | 45971-3923  |  |  |
| 40                          | 2.282 | 45971-4123  | 45971-4223  | 45971-4323  | 45971-4423  | 45971-4523  | 45971-4623  | 45971-4723  | 45971-4823  | 45971-4923  |  |  |
| 50                          | 2.782 | 45971-5123  | 45971-5223  | 45971-5323  | 45971-5423  | 45971-5523  | 45971-5623  | 45971-5723  | 45971-5823  | 45971-5923  |  |  |
| 15                          | 1.032 | 45971-6123  | 45971-6223  | 45971-6323  | 45971-6423  | 45971-6523  | 45971-6623  | 45971-6723  | 45971-6823  | 45971-6923  |  |  |
| 25                          | 1.532 | 45971-7123  | 45971-7223  | 45971-7323  | 45971-7423  | 45971-7523  | 45971-7623  | 45971-7723  | 45971-7823  | 45971-7923  |  |  |
| 35                          | 2.032 | 45971-8123  | 45971-8223  | 45971-8323  | 45971-8423  | 45971-8523  | 45971-8623  | 45971-8723  | 45971-8823  | 45971-8923  |  |  |
| 45                          | 2.532 | 45971-9123  | 45971-9223  | 45971-9323  | 45971-9423  | 45971-9523  | 45971-9623  | 45971-9723  | 45971-9823  | 45971-9923  |  |  |

| 6                           |       | 5           |             | 4           |             | 3           |             | 2           |             | 1           |  |  |
|-----------------------------|-------|-------------|-------------|-------------|-------------|-------------|-------------|-------------|-------------|-------------|--|--|
| DIM R: (REF)                |       | 5.0 MM      |             | 6.0 MM      |             | 6.5 MM      |             | 7.5 MM      |             | 8.0 MM      |  | STACK HEIGHTS GIVEN IN METRIC FOR REF ONLY |
| DIM R:<br>HOUSING<br>HEIGHT |       |             |             |             |             |             |             |             |             |             |  |  |
|                             |       | .199        |             | .238        |             | .258        |             | .297        |             | .297        |  |  |
| POSITION                    | DIM M | MATERIAL NO | MATERIAL NO | MATERIAL NO | MATERIAL NO | MATERIAL NO | MATERIAL NO | MATERIAL NO | MATERIAL NO | MATERIAL NO |  |  |
| 19                          | 1.232 | 45971-0127  | 45971-0227  | 45971-0327  | 45971-0427  | 45971-0527  | 45971-0627  | 45971-0727  | 45971-0827  | 45971-0927  |  |  |
| 10                          | 0.782 | 45971-1127  | 45971-1227  | 45971-1327  | 45971-1427  | 45971-1527  | 45971-1627  | 45971-1727  | 45971-1827  | 45971-1927  |  |  |
| 20                          | 1.282 | 45971-2127  | 45971-2227  | 45971-2327  | 45971-2427  | 45971-2527  | 45971-2627  | 45971-2727  | 45971-2827  | 45971-2927  |  |  |
| 30                          | 1.782 | 45971-3127  | 45971-3227  | 45971-3327  | 45971-3427  | 45971-3527  | 45971-3627  | 45971-3727  | 45971-3827  | 45971-3927  |  |  |
| 40                          | 2.282 | 45971-4127  | 45971-4227  | 45971-4327  | 45971-4427  | 45971-4527  | 45971-4627  | 45971-4727  | 45971-4827  | 45971-4927  |  |  |
| 50                          | 2.782 | 45971-5127  | 45971-5227  | 45971-5327  | 45971-5427  | 45971-5527  | 45971-5627  | 45971-5727  | 45971-5827  | 45971-5927  |  |  |
| 15                          | 1.032 | 45971-6127  | 45971-6227  | 45971-6327  | 45971-6427  | 45971-6527  | 45971-6627  | 45971-6727  | 45971-6827  | 45971-6927  |  |  |
| 25                          | 1.532 | 45971-7127  | 45971-7227  | 45971-7327  | 45971-7427  | 45971-7527  | 45971-7627  | 45971-7727  | 45971-7827  | 45971-7927  |  |  |
| 35                          | 2.032 | 45971-8127  | 45971-8227  | 45971-8327  | 45971-8427  | 45971-8527  | 45971-8627  | 45971-8727  | 45971-8827  | 45971-8927  |  |  |
| 45                          | 2.532 | 45971-9127  | 45971-9227  | 45971-9327  | 45971-9427  | 45971-9527  | 45971-9627  | 45971-9727  | 45971-9827  | 45971-9927  |  |  |

NOTES:  
 1. THIS SHEET CONTAINS THE FOLLOWING OPTIONS  
 NO OF ROWS: 12  
 SOLDER CHARGE: TIN / LEAD  
 PACKAGING: TRAYS AND TAPE AND REEL

|   |                                       |  |  |               |   |   |                        |  |  |
|---|---------------------------------------|--|--|---------------|---|---|------------------------|--|--|
| SEE SHEET 1<br>EC NO: UCP2010-2270<br>DRWN: TGREGORI 2010/03/05<br>CHKD: JCOMERC I 2005/05/17<br>APPR: JCOMERC I 2010/03/05<br>DESCRIPTION<br>REV | GENERAL TOLERANCES (UNLESS SPECIFIED) |  | DIMENSION STYLE<br><b>INCH ONLY</b>      |               | SCALE<br><b>1:1</b>   | DESIGN UNITS<br><b>INCH</b>   | THIRD ANGLE PROJECTION |  |  |
|   | 4 PLACES ± --- ± ---                  |  | DRAWN BY DATE<br>TGREGORI 2005/05/17     |               | TITLE<br><b>SEARAY RECEPTACLE ASSEMBLY .050 CENTERS</b>   |   |                        |  |  |
|   | 3 PLACES ± --- ± .005                 |  | CHECKED BY DATE<br>JCOMERC I 2005/05/17  |               |   |   |                        |  |  |
|   | 2 PLACES ± --- ± ---                  |  | APPROVED BY DATE<br>JCOMERC I 2010/03/05 |               |  <b>MOLEX INCORPORATED</b><br>DOCUMENT NO. <b>SD-45971-001</b> SHEET NO. <b>10 OF 10</b> |   |                        |  |  |
| 1 PLACE ± --- ± ---   |                                       | MATERIAL NO.   |  |               |   |   |                        |  |  |
| ANGULAR ± ---°  |                                       | DRAFT WHERE APPLICABLE MUST REMAIN WITHIN DIMENSIONS |  | SIZE <b>A</b> |   | THIS DRAWING CONTAINS INFORMATION THAT IS PROPRIETARY TO MOLEX INCORPORATED AND SHOULD NOT BE USED WITHOUT WRITTEN PERMISSION |                        |  |  |