

10/100 Base-TX SINGLE PORT MAGNETIC MODULES

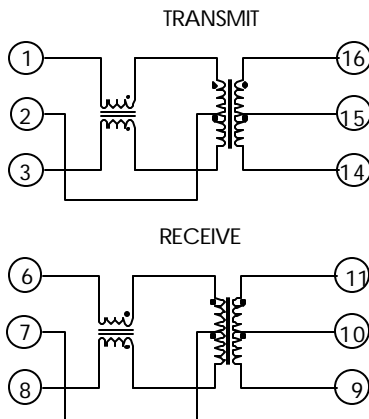
Smallest SOIC Transformer

- ① Meets all IEEE 802.3 and ANSI X3.263 standard including 350 uH OCL with 8 mADC Bias
- ② Compact footprint for use in the most spacerestrictive applications

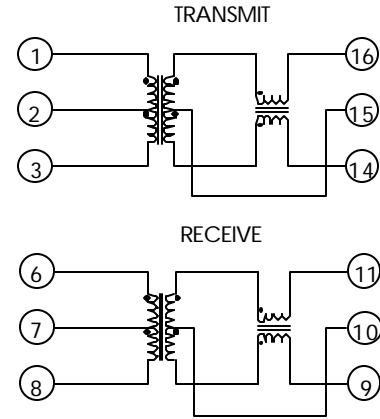
ELECTRICAL SPECIFICATIONS AT 25°C - OPERATING TEMPERATURE RANGE 0°C TO +70°C

PART NUMBER	Turn Ratio		INSERTION LOSS (dB Max) 100KHz to 100MHz	Return Loss (dB TYP)			Diff. to Com Mode Rejection (dB Min)			Crosstalk (dB Min)			Schematic	HI-POT (Vrms)
	TX	RX		30 MHz	60 MHz	80 MHz	30 MHz	50 MHz	100 MHz	30 MHz	60 MHz	100 MHz		
PM-6101	1:1	1:1	1.1	-20	-14	-11.5	-42	-37	-33	-45	-40	-35	A	1500
PM-6102	1:1	1:1	1.1	-20	-14	-11.5	-42	-37	-33	-45	-40	-35	B	1500
PM-6103	2:1	1:1	1.1	-20	-14	-11.5	-42	-37	-33	-45	-40	-35	B	1500
PM-6104	1:1	2:1	1.1	-20	-14	-11.5	-42	-37	-33	-45	-40	-35	B	1500
PM-6105	1.41:1	1:1	1.1	-20	-14	-11.5	-42	-37	-33	-45	-40	-35	B	1500
PM-6106	1.25:1	1:1	1.1	-20	-14	-11.5	-42	-37	-33	-45	-40	-35	B	1500
PM-6107	1:1.41	1:1	1.1	-18	-12	-11.5	-42	-37	-30	-45	-40	-35	B	1500

SCHEMATIC "A"



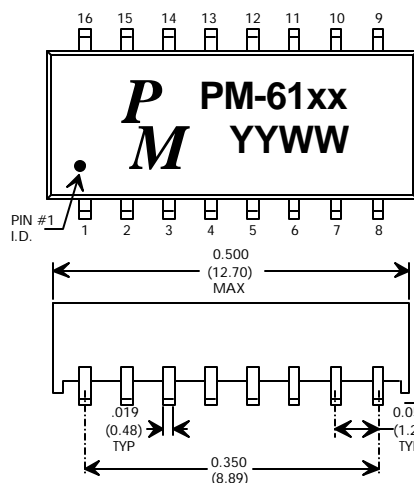
SCHEMATIC "B"



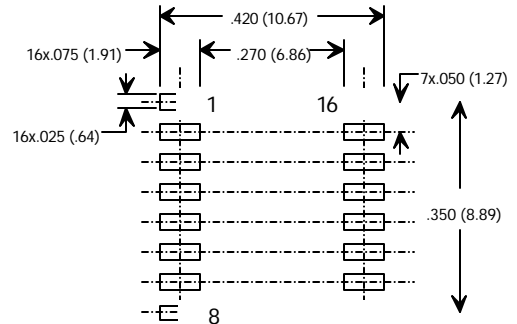
MECHANICAL

All Dimensions in inches (mm)

PCB LAYOUT



Unless otherwise specified, all tolerances are ± 0.010 (0.25)



Specifications subject to change without notice.

pm-61xx 11/00