

## MEMORY

## CMOS

## 1M × 16 BITS

## FAST PAGE MODE DYNAMIC RAM

## MB81V16160A-60/60L/-70/70L

## CMOS 1,048,576 × 16 BITS Fast Page Mode Dynamic RAM

## ■ DESCRIPTION

The Fujitsu MB81V16160A is a fully decoded CMOS Dynamic RAM (DRAM) that contains 16,777,216 memory cells accessible in 16-bit increments. The MB81V16160A features a "fast page" mode of operation whereby high-speed random access of up to 256-bits of data within the same row can be selected. The MB81V16160A DRAM is ideally suited for mainframe, buffers, hand-held computers video imaging equipment, and other memory applications where very low power dissipation and high bandwidth are basic requirements of the design. Since the standby current of the MB81V16160A is very small, the device can be used as a non-volatile memory in equipment that uses batteries for primary and/or auxiliary power.

The MB81V16160A is fabricated using silicon gate CMOS and Fujitsu's advanced four-layer polysilicon and two-layer aluminum process. This process, coupled with advanced stacked capacitor memory cells, reduces the possibility of soft errors and extends the time interval between memory refreshes. Clock timing requirements for the MB81V16160A are not critical and all inputs are LVTTTL compatible.

## ■ PRODUCT LINE &amp; FEATURES

| Parameter                 |                   | MB81V16160A  |             |              |             |              |
|---------------------------|-------------------|--------------|-------------|--------------|-------------|--------------|
|                           |                   | -60          | -60L        | -70          | -70L        |              |
| RAS Access Time           |                   | 60 ns max.   |             | 70 ns max.   |             |              |
| Random Cycle Time         |                   | 110 ns min.  |             | 130 ns min.  |             |              |
| Address Access Time       |                   | 30 ns max.   |             | 35 ns max.   |             |              |
| CAS Access Time           |                   | 15 ns max.   |             | 17 ns max.   |             |              |
| Fast Page Mode Cycle Time |                   | 40 ns min.   |             | 45 ns min.   |             |              |
| Low Power Dissipation     | Operating current | 324 mW max.  |             | 288 mW max.  |             |              |
|                           | Standby current   | LVTTTL Level | 3.6 mW max. | 3.6 mW max.  | 3.6 mW max. | 3.6 mW max.  |
|                           |                   | CMOS Level   | 1.8 mW max. | 0.54 mW max. | 1.8 mW max. | 0.54 mW max. |

- 1,048,576 words × 16 bits organization
- Silicon gate, CMOS, Advanced Capacitor Cell
- All input and output are LVTTTL compatible
- 4096 refresh cycles every 65.6 ms
- 1WE / 2CAS
- Self refresh function
- Early write or OE controlled write capability
- RAS only, CAS-before-RAS, or Hidden Refresh
- Fast page Mode, Read-Modify-Write capability
- On chip substrate bias generator for high performance
- Standard and low power versions

This device contains circuitry to protect the inputs against damage due to high static voltages or electric fields. However, it is advised that normal precautions be taken to avoid application of any voltage higher than maximum rated voltages to this high impedance circuit.

# MB81V16160A-60/60L/-70/70L

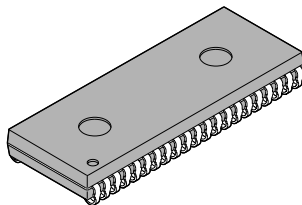
## ■ ABSOLUTE MAXIMUM RATINGS (See WARNING)

| Parameter                                       | Symbol            | Value        | Unit        |
|---|-------------------|--------------|-------------|
| Voltage at Any Pin Relative to $V_{SS}$         | $V_{IN}, V_{OUT}$ | -0.5 to +4.6 | V           |
| Voltage of $V_{CC}$ Supply Relative to $V_{SS}$ | $V_{CC}$          | -0.5 to +4.6 | V           |
| Power Dissipation                               | PD                | 1.0          | W           |
| Short Circuit Output Current                    | —                 | $\pm 50$     | mA          |
| Operating Temperature                           | $T_{OPE}$         | 0 to +70     | $^{\circ}C$ |
| Storage Temperature                             | $T_{STG}$         | -55 to +125  | $^{\circ}C$ |

**WARNING:** Permanent device damage may occur if the above **Absolute Maximum Ratings** are exceeded. Functional operation should be restricted to the conditions as detailed in the operational sections of this data sheet. Exposure to absolute maximum rating conditions for extended periods may affect device reliability.

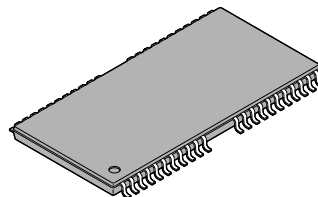
## ■ PACKAGE

Plastic SOJ Package



(LCC-42P-M01)

Plastic TSOP Packages

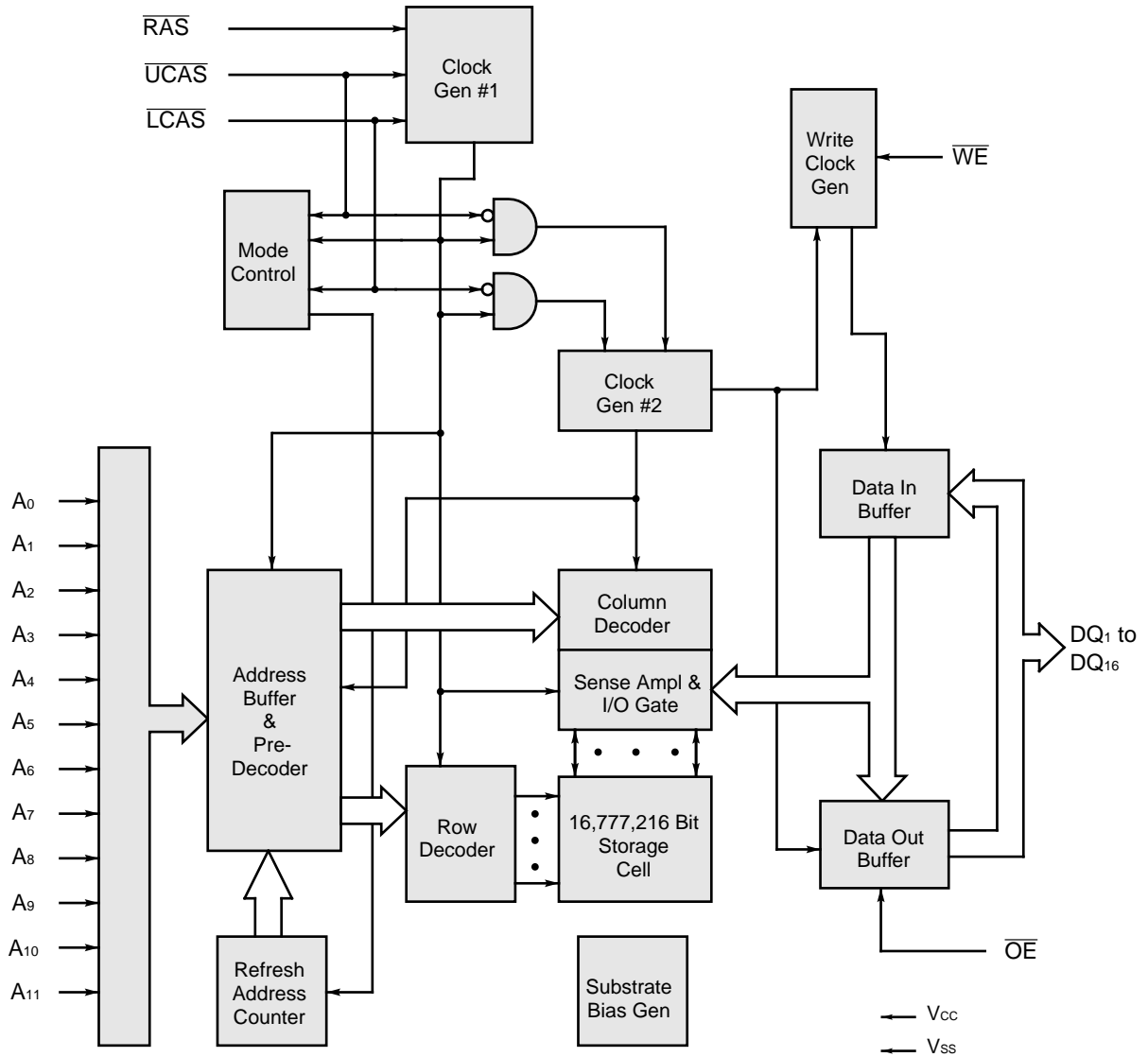


(FPT-50P-M06)  
(Normal Bend)

### Package and Ordering Information

- 42-pin plastic (400 mil) SOJ, order as MB81V16160A- $\times\times$ PJ
- 50-pin plastic (400 mil) TSOP-II with normal bend leads, order as MB81V16160A- $\times\times$ PFTN and MB81V16160A- $\times\times$ LPFTN (Low Power)

Fig. 1 – MB81V16160A DYNAMIC RAM - BLOCK DIAGRAM



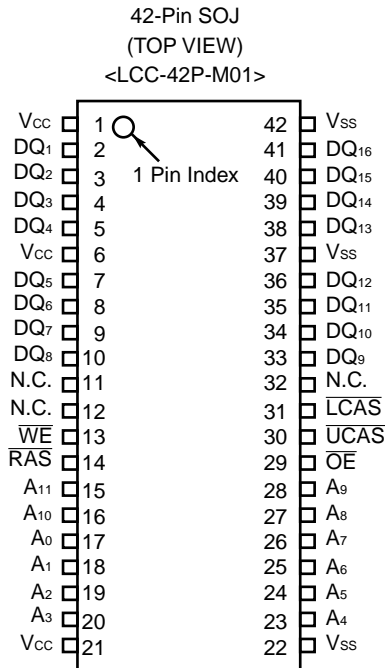
## ■ CAPACITANCE

(T<sub>A</sub> = 25°C, f = 1 MHz)

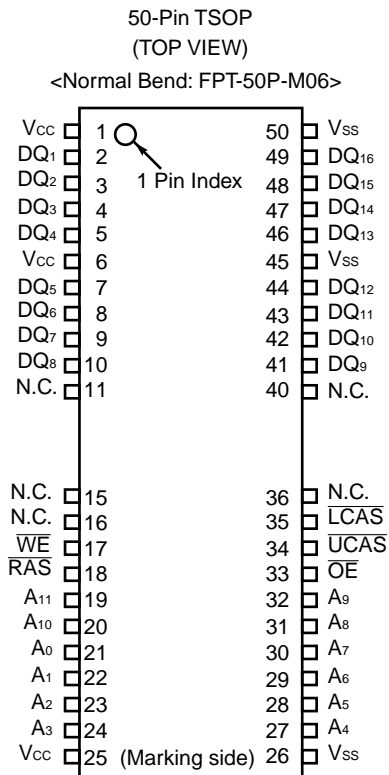
| Parameter  | Symbol           | Max. | Unit |
|--|------------------|------|------|
| Input Capacitance, A <sub>0</sub> to A <sub>11</sub>   | C <sub>IN1</sub> | 6    | pF   |
| Input Capacitance, $\overline{\text{RAS}}$ , $\overline{\text{LCAS}}$ , $\overline{\text{UCAS}}$ , $\overline{\text{WE}}$ , $\overline{\text{OE}}$ | C <sub>IN2</sub> | 6    | pF   |
| Input/Output Capacitance, DQ <sub>1</sub> to DQ <sub>16</sub>  | C <sub>DQ</sub>  | 7    | pF   |

# MB81V16160A-60/60L/-70/70L

## PIN ASSIGNMENTS AND DESCRIPTIONS



| Designator                          | Function  |
|-------------------------------------|---|
| A <sub>0</sub> to A <sub>11</sub>   | Address inputs<br>row : A <sub>0</sub> to A <sub>11</sub><br>column : A <sub>0</sub> to A <sub>7</sub><br>refresh : A <sub>0</sub> to A <sub>11</sub> |
| $\overline{\text{RAS}}$             | Row address strobe  |
| $\overline{\text{LCAS}}$            | Lower column address strobe   |
| $\overline{\text{UCAS}}$            | Upper column address strobe   |
| $\overline{\text{WE}}$              | Write enable  |
| $\overline{\text{OE}}$              | Output enable   |
| DQ <sub>1</sub> to DQ <sub>16</sub> | Data Input/Output   |
| V <sub>CC</sub>                     | +3.3 volt power supply  |
| V <sub>SS</sub>                     | Circuit ground  |



## ■ RECOMMENDED OPERATING CONDITIONS

| Parameter                      | Notes | Symbol   | Min. | Typ. | Max.         | Unit | Ambient Operating Temp. |
|--------------------------------|-------|----------|------|------|--------------|------|-------------------------|
| Supply Voltage                 | *1    | $V_{CC}$ | 3.0  | 3.3  | 3.6          | V    | 0°C to +70°C            |
|                                |       | $V_{SS}$ | 0    | 0    | 0            |      |                         |
| Input High Voltage, all inputs | *1    | $V_{IH}$ | 2.0  | —    | $V_{CC}+0.3$ | V    |                         |
| Input Low Voltage, all inputs* | *1    | $V_{IL}$ | -0.3 | —    | 0.8          | V    |                         |

\* : Undershoots of up to -2.0 volts with a pulse width not exceeding 20 ns are acceptable.

## ■ FUNCTIONAL OPERATION

### ADDRESS INPUTS

Twenty input bits are required to decode any sixteen of 16,777,216 cell addresses in the memory matrix. Since only twelve address bits ( $A_0$  to  $A_{11}$ ) are available, the column and row inputs are separately strobed by  $\overline{LCAS}$  or  $\overline{UCAS}$  and  $\overline{RAS}$  as shown in Figure 1. First, twelve row address bits are input on pins  $A_0$ -through- $A_{11}$  and latched with the row address strobe ( $\overline{RAS}$ ) then, eight column address bits are input and latched with the column address strobe ( $\overline{LCAS}$  or  $\overline{UCAS}$ ). Both row and column addresses must be stable on or before the falling edges of  $\overline{RAS}$  and  $\overline{LCAS}$  or  $\overline{UCAS}$ , respectively. The address latches are of the flow-through type; thus, address information appearing after  $t_{RAH}$  (min.) +  $t_T$  is automatically treated as the column address.

### WRITE ENABLE

The read or write mode is determined by the logic state of  $\overline{WE}$ . When  $\overline{WE}$  is active Low, a write cycle is initiated; when  $\overline{WE}$  is High, a read cycle is selected. During the read mode, input data is ignored.

### DATA INPUT

Input data is written into memory in either of three basic ways—an early write cycle, an  $\overline{OE}$  (delayed) write cycle, and a read-modify-write cycle. The falling edge of  $\overline{WE}$  or  $\overline{LCAS}$  /  $\overline{UCAS}$ , whichever is later, serves as the input data-latch strobe. In an early write cycle, the input data of  $DQ_1$ - $DQ_8$  is strobed by  $\overline{LCAS}$  and  $DQ_9$  to  $DQ_{16}$  is strobed by  $\overline{UCAS}$  and the setup/hold times are referenced to each  $\overline{LCAS}$  and  $\overline{UCAS}$  because  $\overline{WE}$  goes Low before  $\overline{LCAS}$  /  $\overline{UCAS}$ . In a delayed write or a read-modify-write cycle,  $\overline{WE}$  goes Low after  $\overline{LCAS}$  /  $\overline{UCAS}$ ; thus, input data is strobed by  $\overline{WE}$  and all setup/hold times are referenced to the write-enable signal.

### DATA OUTPUT

The three-state buffers are LVTTTL compatible with a fanout of one TTL loads. Polarity of the output data is identical to that of the input; the output buffers remain in the high-impedance state until the column address strobe goes Low. When a read or read-modify-write cycle is executed, valid outputs are obtained under the following conditions:

- $t_{RAC}$  : from the falling edge of  $\overline{RAS}$  when  $t_{RCD}$  (max.) is satisfied.
- $t_{CAC}$  : from the falling edge of  $\overline{LCAS}$  (for  $DQ_1$  to  $DQ_8$ )  $\overline{UCAS}$  (for  $DQ_9$  to  $DQ_{16}$ ) when  $t_{RCD}$  is greater than  $t_{RCD}$  (max.).
- $t_{AA}$  : from column address input when  $t_{RAD}$  is greater than  $t_{RAD}$  (max.).
- $t_{OEA}$  : from the falling edge of  $\overline{OE}$  when  $\overline{OE}$  is brought Low after  $t_{RAC}$ ,  $t_{CAC}$ , or  $t_{AA}$ .

The data remains valid until either  $\overline{LCAS}$  /  $\overline{UCAS}$  or  $\overline{OE}$  returns to a High logic level. When an early write is executed, the output buffers remain in a high-impedance state during the entire cycle.

### FAST PAGE MODE OF OPERATION

The fast page mode of operation provides faster memory access and lower power dissipation. The fast page mode is implemented by keeping the same row address and strobing in successive column addresses. To satisfy these conditions,  $\overline{RAS}$  is held Low for all contiguous memory cycles in which row addresses are common. For each fast page of memory, any of 256×16-bits can be accessed and, when multiple MB81V16160As are used,  $\overline{CAS}$  is decoded to select the desired memory fast page. Fast page mode operations need not be addressed sequentially and combinations of read, write, and/or read-modify-write cycles are permitted.

# MB81V16160A-60/60L/-70/70L

## ■ DC CHARACTERISTICS

(At recommended operating conditions unless otherwise noted)

Note 3

| Parameter  | Notes  | Symbol             | Conditions   | Value |      |  |           | Unit |
|--|--|--------------------|--|-------|------|--|-----------|------|
|  |  |                    |  | Min.  | Typ. | Max.   |           |      |
|  |  |                    |  |       |      | Std power  | Low power |      |
| Output High Voltage  | *1   | V <sub>OH</sub>    | I <sub>OH</sub> = -2.0 mA  | 2.4   | —    | —  | —         | V    |
| Output Low Voltage   | *1   | V <sub>OL</sub>    | I <sub>OL</sub> = +2.0 mA  | —     | —    | 0.4  | 0.4       |      |
| Input Leakage Current (any input)                              |  | I <sub>I(L)</sub>  | 0 V ≤ V <sub>IN</sub> ≤ 3.6 V;<br>3.0 V ≤ V <sub>CC</sub> ≤ 3.6 V;<br>V <sub>SS</sub> = 0 V; All other pins<br>not under test = 0 V  | -10   | —    | 10   | 10        | μA   |
| Output Leakage Current   |  | I <sub>DO(L)</sub> | 0 V ≤ V <sub>OUT</sub> ≤ 3.6 V;<br>Data out disabled   | -10   | —    | 10   | 10        |      |
| Operating Current<br>(Average Power<br>Supply Current)         | MB81V16160A<br>-60/60L                           | I <sub>CC1</sub>   | $\overline{RAS}$ & $\overline{LCAS}$ , $\overline{UCAS}$<br>cycling;<br>t <sub>RC</sub> = min.   | —     | —    | 90   | 90        | mA   |
|  | MB81V16160A<br>-70/70L                           |                    |  |       |      | 80   | 80        |      |
| Standby Current<br>(Power Supply<br>Current)                   | TTL Level  | I <sub>CC2</sub>   | $\overline{RAS} = \overline{LCAS}$ , $\overline{UCAS} =$<br>V <sub>IH</sub>  | —     | —    | 1.0  | 1.0       | mA   |
|  | CMOS Level                                       |                    | $\overline{RAS} = \overline{LCAS}$ , $\overline{UCAS} \geq$<br>V <sub>CC</sub> - 0.2 V   |       |      | 500  | 150       |      |
| Refresh Current#1<br>(Average Power<br>Supply Current)         | MB81V16160A<br>-60/60L                           | I <sub>CC3</sub>   | $\overline{LCAS}$ , $\overline{UCAS} = V_{IH}$ , $\overline{RAS}$<br>cycling;<br>t <sub>RC</sub> = min.  | —     | —    | 90   | 90        | mA   |
|  | MB81V16160A<br>-70/70L                           |                    |  |       |      | 80   | 80        |      |
| Fast Page Mode<br>Current                                      | MB81V16160A<br>-60/60L                           | I <sub>CC4</sub>   | $\overline{RAS} = V_{IL}$ , $\overline{LCAS}$ , $\overline{UCAS}$<br>cycling;<br>t <sub>PC</sub> = min.  | —     | —    | 90   | 90        | mA   |
|  | MB81V16160A<br>-70/70L                           |                    |  |       |      | 80   | 80        |      |
| Refresh Current#2<br>(Average Power<br>Supply Current)         | MB81V16160A<br>-60/60L                           | I <sub>CC5</sub>   | $\overline{RAS}$ cycling;<br>$\overline{CAS}$ -before- $\overline{RAS}$ ;<br>t <sub>RC</sub> = min.  | —     | —    | 90   | 90        | mA   |
|  | MB81V16160A<br>-70/70L                           |                    |  |       |      | 80   | 80        |      |
| Battery Backup<br>Current<br>(Average Power<br>Supply Current) | MB81V16160A<br>-60/70                            | I <sub>CC6</sub>   | $\overline{RAS}$ cycling;<br>$\overline{CAS}$ -before- $\overline{RAS}$ ;<br>t <sub>RC</sub> = 16 μs<br>t <sub>RAS</sub> = min. to 300 ns<br>V <sub>IH</sub> ≥ V <sub>CC</sub> - 0.2 V,<br>V <sub>IL</sub> ≤ 0.2 V | —     | —    | 800  | —         | μA   |
|  | MB81V16160A<br>-60L/70L                          |                    |  |       |      | $\overline{RAS}$ cycling;<br>$\overline{CAS}$ -before- $\overline{RAS}$ ;<br>t <sub>RC</sub> = 32 μs<br>t <sub>RAS</sub> = min. to 300 ns<br>V <sub>IH</sub> ≥ V <sub>CC</sub> - 0.2 V,<br>V <sub>IL</sub> ≤ 0.2 V | —         |      |
| Refresh Current#3<br>(Average Power<br>Supply Current)         | MB81V16160A<br>-60/60L<br>MB81V16160A<br>-70/70L | I <sub>CC9</sub>   | $\overline{RAS} = V_{IL}$ , $\overline{CAS} = V_{IL}$<br>Self refresh;   | —     | —    | 800  | 250       | μA   |

# MB81V16160A-60/60L/-70/70L

## ■ AC CHARACTERISTICS

(At recommended operating conditions unless otherwise noted.)

Notes 3, 4, 5

| No. | Parameter   | Notes     | Symbol    | MB81V16160A-60/<br>60L |        | MB81V16160A-70/<br>70L |        | Unit |
|-----|---|-----------|-----------|------------------------|--------|------------------------|--------|------|
|     |   |           |           | Min.                   | Max.   | Min.                   | Max.   |      |
| 1   | Time Between Refresh                                  | Std power | $t_{REF}$ | —                      | 65.6   | —                      | 65.6   | ms   |
|     |   | Low power |           | —                      | 128    | —                      | 128    |      |
| 2   | Random Read/Write Cycle Time                          |           | $t_{RC}$  | 110                    | —      | 130                    | —      | ns   |
| 3   | Read-Modify-Write Cycle Time                          |           | $t_{RWC}$ | 150                    | —      | 174                    | —      | ns   |
| 4   | Access Time from $\overline{RAS}$                     | *6,9      | $t_{RAC}$ | —                      | 60     | —                      | 70     | ns   |
| 5   | Access Time from $\overline{CAS}$                     | *7,9      | $t_{CAC}$ | —                      | 15     | —                      | 17     | ns   |
| 6   | Column Address Access Time                            | *8,9      | $t_{AA}$  | —                      | 30     | —                      | 35     | ns   |
| 7   | Output Hold Time                                      |           | $t_{OH}$  | 3                      | —      | 3                      | —      | ns   |
| 8   | Output Buffer Turn On Delay Time                      |           | $t_{ON}$  | 0                      | —      | 0                      | —      | ns   |
| 9   | Output Buffer Turn off Delay Time                     | *10       | $t_{OFF}$ | —                      | 15     | —                      | 17     | ns   |
| 10  | Transition Time                                       |           | $t_r$     | 3                      | 50     | 3                      | 50     | ns   |
| 11  | $\overline{RAS}$ Precharge Time                       |           | $t_{RP}$  | 40                     | —      | 50                     | —      | ns   |
| 12  | $\overline{RAS}$ Pulse Width                          |           | $t_{RAS}$ | 60                     | 100000 | 70                     | 100000 | ns   |
| 13  | $\overline{RAS}$ Hold Time                            |           | $t_{RSH}$ | 15                     | —      | 17                     | —      | ns   |
| 14  | $\overline{CAS}$ to $\overline{RAS}$ Precharge Time   |           | $t_{CRP}$ | 0                      | —      | 0                      | —      | ns   |
| 15  | $\overline{RAS}$ to $\overline{CAS}$ Delay Time       | *11,12    | $t_{RCD}$ | 20                     | 45     | 20                     | 53     | ns   |
| 16  | $\overline{CAS}$ Pulse Width                          |           | $t_{CAS}$ | 15                     | —      | 17                     | —      | ns   |
| 17  | $\overline{CAS}$ Hold Time                            |           | $t_{CSH}$ | 60                     | —      | 70                     | —      | ns   |
| 18  | $\overline{CAS}$ Precharge Time (Normal)              | *19       | $t_{CPN}$ | 10                     | —      | 10                     | —      | ns   |
| 19  | Row Address Set Up Time                               |           | $t_{ASR}$ | 0                      | —      | 0                      | —      | ns   |
| 20  | Row Address Hold Time                                 |           | $t_{RAH}$ | 10                     | —      | 10                     | —      | ns   |
| 21  | Column Address Set Up Time                            |           | $t_{ASC}$ | 0                      | —      | 0                      | —      | ns   |
| 22  | Column Address Hold Time                              |           | $t_{CAH}$ | 15                     | —      | 15                     | —      | ns   |
| 23  | Column Address Hold Time from $\overline{RAS}$        |           | $t_{AR}$  | 35                     | —      | 35                     | —      | ns   |
| 24  | $\overline{RAS}$ to Column Address Delay Time         | *13       | $t_{RAD}$ | 15                     | 30     | 15                     | 35     | ns   |
| 25  | Column Address to $\overline{RAS}$ Lead Time          |           | $t_{RAL}$ | 30                     | —      | 35                     | —      | ns   |
| 26  | Column Address to $\overline{CAS}$ Lead Time          |           | $t_{CAL}$ | 30                     | —      | 35                     | —      | ns   |
| 27  | Read Command and Set Up Time                          |           | $t_{RCS}$ | 0                      | —      | 0                      | —      | ns   |
| 28  | Read Command Hold Time Referenced to $\overline{RAS}$ | *14       | $t_{RRH}$ | 0                      | —      | 0                      | —      | ns   |
| 29  | Read Command Hold Time Referenced to $\overline{CAS}$ | *14       | $t_{RCH}$ | 0                      | —      | 0                      | —      | ns   |
| 30  | Write Command Set Up Time                             | *15       | $t_{WCS}$ | 0                      | —      | 0                      | —      | ns   |

(Continued)

# MB81V16160A-60/60L/-70/70L

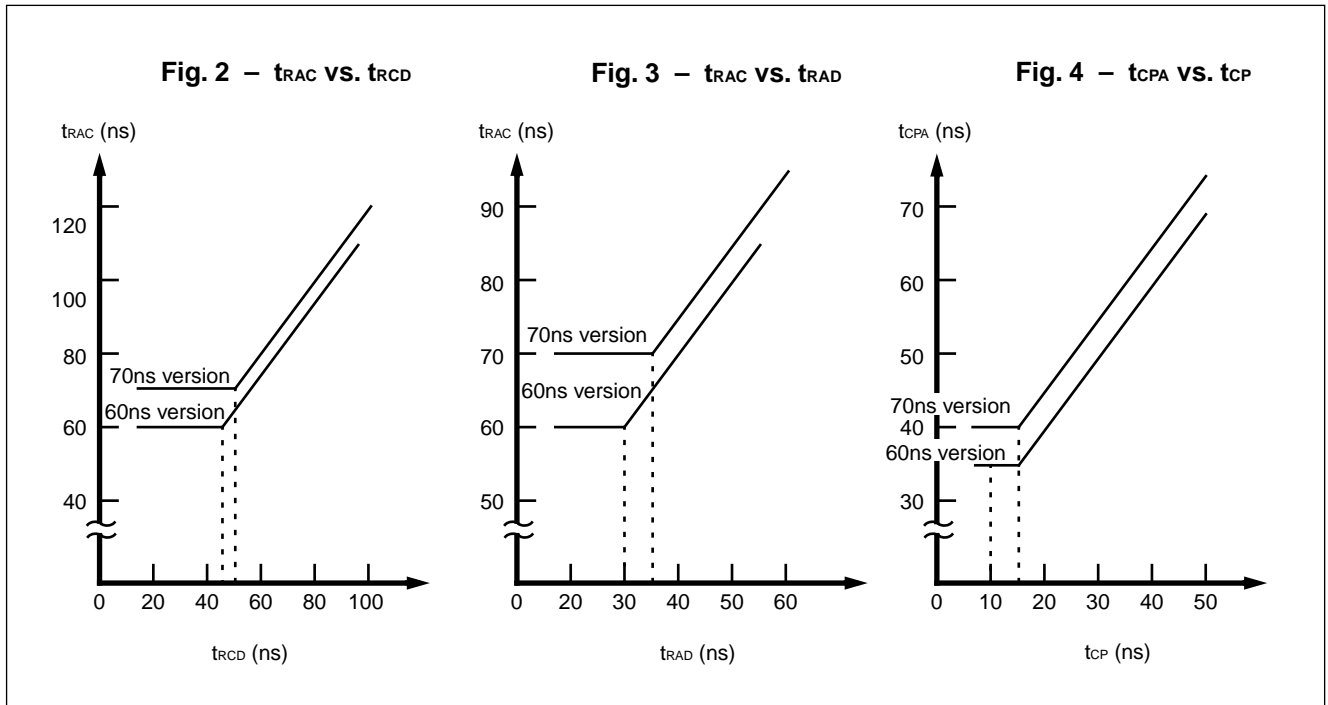
(Continued)

| No. | Parameter  | Notes | Symbol            | MB81V16160A-60/<br>60L |        | MB81V16160A-70/<br>70L |        | Unit |
|-----|--|-------|-------------------|------------------------|--------|------------------------|--------|------|
|     |  |       |                   | Min.                   | Max.   | Min.                   | Max.   |      |
| 31  | Write Command Hold Time  |       | t <sub>WCH</sub>  | 15                     | —      | 15                     | —      | ns   |
| 32  | Write Hold Time from $\overline{\text{RAS}}$   |       | t <sub>WCR</sub>  | 35                     | —      | 35                     | —      | ns   |
| 33  | $\overline{\text{WE}}$ Pulse Width   |       | t <sub>WP</sub>   | 15                     | —      | 15                     | —      | ns   |
| 34  | Write Command to $\overline{\text{RAS}}$ Lead Time   |       | t <sub>RWL</sub>  | 15                     | —      | 17                     | —      | ns   |
| 35  | Write Command to $\overline{\text{CAS}}$ Lead Time   |       | t <sub>CWL</sub>  | 15                     | —      | 17                     | —      | ns   |
| 36  | DIN Set Up Time  |       | t <sub>DS</sub>   | 0                      | —      | 0                      | —      | ns   |
| 37  | DIN Hold Time  |       | t <sub>DH</sub>   | 15                     | —      | 15                     | —      | ns   |
| 38  | Data Hold Time from RAS  |       | t <sub>DHR</sub>  | 35                     | —      | 35                     | —      | ns   |
| 39  | $\overline{\text{RAS}}$ to $\overline{\text{WE}}$ Delay Time   | *20   | t <sub>RWD</sub>  | 80                     | —      | 92                     | —      | ns   |
| 40  | $\overline{\text{CAS}}$ to $\overline{\text{WE}}$ Delay Time   | *20   | t <sub>CWD</sub>  | 35                     | —      | 39                     | —      | ns   |
| 41  | Column Address to $\overline{\text{WE}}$ Delay Time  | *20   | t <sub>AWD</sub>  | 50                     | —      | 57                     | —      | ns   |
| 42  | $\overline{\text{RAS}}$ Precharge Time to $\overline{\text{CAS}}$ Active Time (Refresh cycles)           |       | t <sub>RPC</sub>  | 5                      | —      | 5                      | —      | ns   |
| 43  | $\overline{\text{CAS}}$ Set Up Time for $\overline{\text{CAS}}$ -before- $\overline{\text{RAS}}$ Refresh |       | t <sub>CSR</sub>  | 0                      | —      | 0                      | —      | ns   |
| 44  | $\overline{\text{CAS}}$ Hold Time for $\overline{\text{CAS}}$ -before- $\overline{\text{RAS}}$ Refresh   |       | t <sub>CHR</sub>  | 10                     | —      | 12                     | —      | ns   |
| 45  | Access Time from $\overline{\text{OE}}$  | *9    | t <sub>OEA</sub>  | —                      | 15     | —                      | 17     | ns   |
| 46  | Output Buffer Turn Off Delay from $\overline{\text{OE}}$   | *10   | t <sub>OEZ</sub>  | —                      | 15     | —                      | 17     | ns   |
| 47  | $\overline{\text{OE}}$ to $\overline{\text{RAS}}$ Lead Time for Valid Data                               |       | t <sub>OEL</sub>  | 10                     | —      | 10                     | —      | ns   |
| 48  | $\overline{\text{OE}}$ Hold Time Referenced to $\overline{\text{WE}}$                                    | *16   | t <sub>OEH</sub>  | 5                      | —      | 5                      | —      | ns   |
| 49  | $\overline{\text{OE}}$ to Data In Delay Time   |       | t <sub>OED</sub>  | 15                     | —      | 17                     | —      | ns   |
| 50  | $\overline{\text{CAS}}$ to Data In Delay Time  |       | t <sub>CDD</sub>  | 15                     | —      | 17                     | —      | ns   |
| 51  | DIN to $\overline{\text{CAS}}$ Delay Time  | *17   | t <sub>DZC</sub>  | 0                      | —      | 0                      | —      | ns   |
| 52  | DIN to $\overline{\text{OE}}$ Delay Time   | *17   | t <sub>DZO</sub>  | 0                      | —      | 0                      | —      | ns   |
| 60  | Fast Page Mode $\overline{\text{RAS}}$ Pulse Width   |       | t <sub>RASP</sub> | —                      | 100000 | —                      | 100000 | ns   |
| 61  | Fast Page Mode Read/Write Cycle Time   |       | t <sub>PC</sub>   | 40                     | —      | 45                     | —      | ns   |
| 62  | Fast Page Mode Read-Modify-Write Cycle Time  |       | t <sub>PRWC</sub> | 80                     | —      | 89                     | —      | ns   |
| 63  | Access Time from $\overline{\text{CAS}}$ Precharge   | *9,18 | t <sub>CPA</sub>  | —                      | 35     | —                      | 40     | ns   |
| 64  | Fast Page Mode $\overline{\text{CAS}}$ Precharge Time  |       | t <sub>CP</sub>   | 10                     | —      | 10                     | —      | ns   |
| 65  | Fast Page Mode $\overline{\text{RAS}}$ Hold Time from $\overline{\text{CAS}}$ Precharge                  |       | t <sub>RHCP</sub> | 35                     | —      | 40                     | —      | ns   |
| 66  | Fast Page Mode $\overline{\text{CAS}}$ Precharge to $\overline{\text{WE}}$ Delay Time                    |       | t <sub>CPWD</sub> | 55                     | —      | 62                     | —      | ns   |



- Notes:**
- \*1. Referenced to  $V_{SS}$ .
  - \*2.  $I_{CC}$  depends on the output load conditions and cycle rates; The specified values are obtained with the output open.  
 $I_{CC}$  depends on the number of address change as  $\overline{RAS} = V_{IL}$ ,  $\overline{UCAS} = V_{IH}$ ,  $\overline{LCAS} = V_{IH}$  and  $V_{IL} > -0.3V$ .  
 $I_{CC1}$ ,  $I_{CC3}$ ,  $I_{CC4}$  and  $I_{CC5}$  are specified at one time of address change during  $\overline{RAS} = V_{IL}$  and  $\overline{UCAS} = V_{IH}$ ,  $\overline{LCAS} = V_{IH}$ .  
 $I_{CC2}$  is specified during  $\overline{RAS} = V_{IH}$  and  $V_{IL} > -0.3V$ .  
 $I_{CC6}$  is measured on condition that all address signals are fixed steady state.
  - \*3. An initial pause ( $\overline{RAS} = \overline{CAS} = V_{IH}$ ) of 200 $\mu$ s is required after power-up followed by any eight  $\overline{RAS}$ -only cycles before proper device operation is achieved. In case of using internal refresh counter, a minimum of eight  $\overline{CAS}$ -before- $\overline{RAS}$  initialization cycles instead of 8  $\overline{RAS}$  cycles are required.
  - \*4. AC characteristics assume  $t_t = 5$  ns.
  - \*5. Input voltage levels are 0V and 3.0V, and input reference levels are  $V_{IH}(\text{min})$  and  $V_{IL}(\text{max})$  for measuring timing of input signals. Also, the transition time ( $t_t$ ) is measured between  $V_{IH}(\text{min})$  and  $V_{IL}(\text{max})$ . The output reference levels are  $V_{OH} = 2.0V$  and  $V_{OL} = 0.8V$ .
  - \*6. Assumes that  $t_{RCD} \leq t_{RCD}(\text{max})$ ,  $t_{RAD} \leq t_{RAD}(\text{max})$ . If  $t_{RCD}$  is greater than the maximum recommended value shown in this table,  $t_{RAC}$  will be increased by the amount that  $t_{RCD}$  exceeds the value shown. Refer to Fig.2 and 3.
  - \*7. If  $t_{RCD} \geq t_{RCD}(\text{max})$ ,  $t_{RAD} \geq t_{RAD}(\text{max})$ , and  $t_{ASC} \geq t_{AA} - t_{CAC} - t_t$ , access time is  $t_{CAC}$ .
  - \*8. If  $t_{RAD} \geq t_{RAD}(\text{max})$  and  $t_{ASC} \leq t_{AA} - t_{CAC} - t_t$ , access time is  $t_{AA}$ .
  - \*9. Measured with a load equivalent to one TTL load and 100pF.
  - \*10.  $t_{OFF}$  and  $t_{OEZ}$  are specified that output buffer change to high impedance state.
  - \*11. Operation within the  $t_{RCD}(\text{max})$  limit ensures that  $t_{RAC}(\text{max})$  can be met.  $t_{RCD}(\text{max})$  is specified as a reference point only; if  $t_{RCD}$  is greater than the specified  $t_{RCD}(\text{max})$  limit, access time is controlled exclusively by  $t_{CAC}$  or  $t_{AA}$ .
  - \*12.  $t_{RCD}(\text{min}) = t_{RAH}(\text{min}) + 2t_t + t_{ASC}(\text{min})$ .
  - \*13. Operation within the  $t_{RAD}(\text{max})$  limit ensures that  $t_{RAC}(\text{max})$  can be met.  $t_{RAD}(\text{max})$  is specified as a reference point only; if  $t_{RAD}$  is greater than the specified  $t_{RAD}(\text{max})$  limit, access time is controlled exclusively by  $t_{CAC}$  or  $t_{AA}$ .
  - \*14. Either  $t_{RRH}$  or  $t_{RCH}$  must be satisfied for a read cycle.
  - \*15.  $t_{WCS}$  is specified as a reference point only. If  $t_{WCS} \geq t_{WCS}(\text{min})$  the data output pin will remain High-Z state through entire cycle.
  - \*16. Assumes that  $t_{WCS} < t_{WCS}(\text{min})$ .
  - \*17. Either  $t_{DZC}$  or  $t_{DZO}$  must be satisfied.
  - \*18.  $t_{CPA}$  is access time from the selection of a new column address (that is caused by changing both  $\overline{UCAS}$  and  $\overline{LCAS}$  from "L" to "H"). Therefore, if  $t_{CP}$  is long,  $t_{CPA}$  is longer than  $t_{CPA}(\text{max})$ .
  - \*19. Assumes that  $\overline{CAS}$ -before- $\overline{RAS}$  refresh.
  - \*20.  $t_{WCS}$ ,  $t_{CWD}$ ,  $t_{RWD}$  and  $t_{AWD}$  are not restrictive operating parameters. They are included in the data sheet as an electrical characteristic only. If  $t_{WCS} > t_{WCS}(\text{min})$ , the cycle is an early write cycle and  $D_{OUT}$  pin will maintain high-impedance state through out the entire cycle. If  $t_{CWD} > t_{CWD}(\text{min})$ ,  $t_{RWD} > t_{RWD}(\text{min})$ , and  $t_{AWD} > t_{AWD}(\text{min})$ , the cycle is a read-modify-write cycle and data from the selected cell will appear at the  $D_{OUT}$  pin. If neither of the above conditions is satisfied, the cycle is a delayed write cycle and invalid data will appear the  $D_{OUT}$  pin, and write operation can be executed by satisfying  $t_{RWL}$ ,  $t_{CWL}$ , and  $t_{RAL}$  specifications.

# MB81V16160A-60/60L/-70/70L



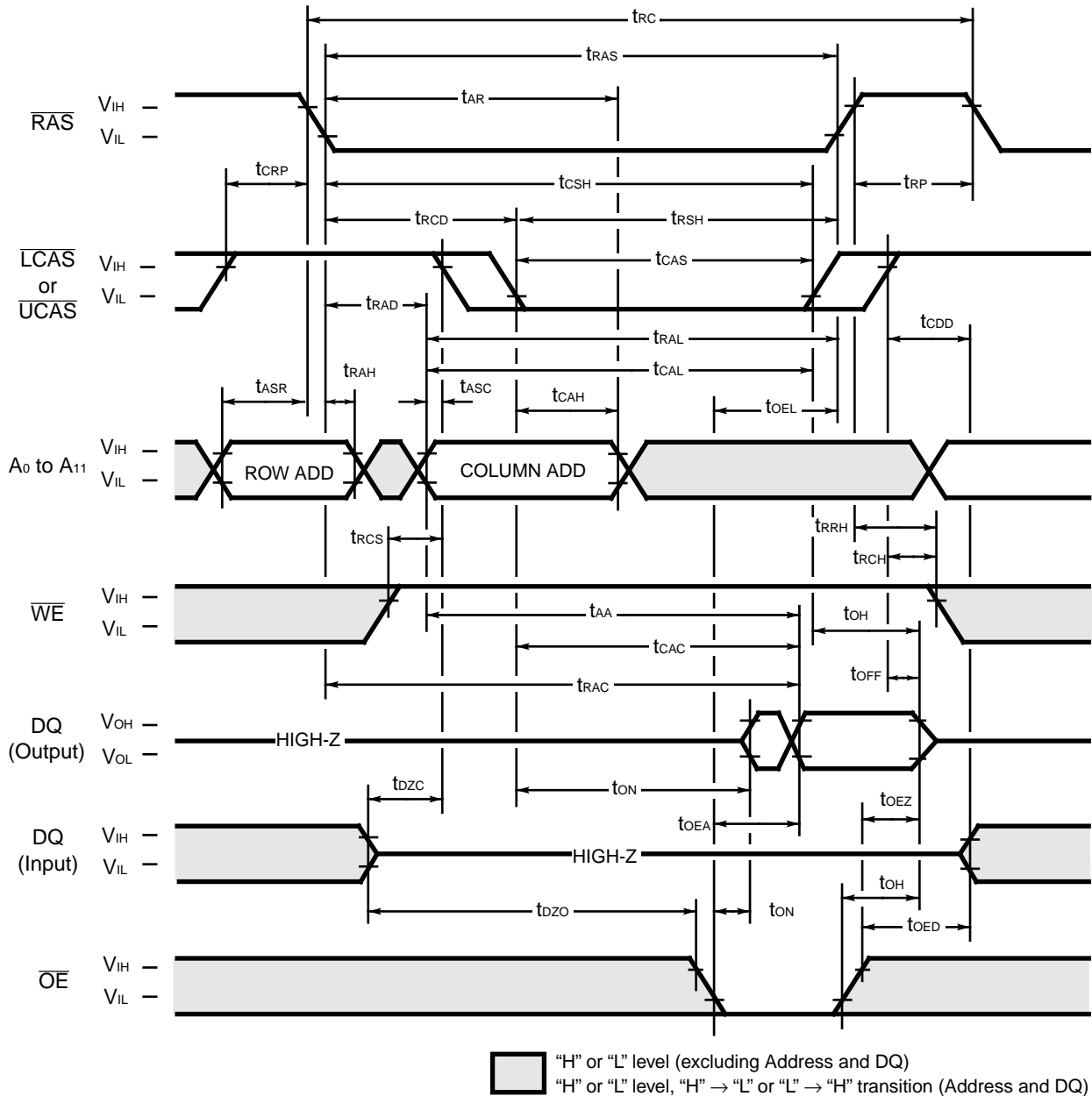
## FUNCTIONAL TRUTH TABLE

| Operation Mode                      | Clock Input      |                   |                   |                 |                 | Address Input |        | Input/Output Data                  |                          |                                     |                          | Refresh | Note                               |                                    |
|-------------------------------------|------------------|-------------------|-------------------|-----------------|-----------------|---------------|--------|------------------------------------|--------------------------|-------------------------------------|--------------------------|---------|------------------------------------|------------------------------------|
|                                     | $\overline{RAS}$ | $\overline{LCAS}$ | $\overline{UCAS}$ | $\overline{WE}$ | $\overline{OE}$ | Row           | Column | DQ <sub>1</sub> to DQ <sub>8</sub> |                          | DQ <sub>9</sub> to DQ <sub>16</sub> |                          |         |                                    |                                    |
|                                     |                  |                   |                   |                 |                 |               |        | Input                              | Output                   | Input                               | Output                   |         |                                    |                                    |
| Standby                             | H                | H                 | H                 | X               | X               | —             | —      | —                                  | High-Z                   | —                                   | High-Z                   | —       |                                    |                                    |
| Read Cycle                          | L                | L<br>H<br>L       | H<br>L<br>L       | H               | L               | Valid         | Valid  | —                                  | Valid<br>High-Z<br>Valid | —                                   | High-Z<br>Valid<br>Valid | Yes*    | $t_{RCS} \geq t_{RCS}(\text{min})$ |                                    |
| Write Cycle<br>(Early Write)        | L                | L<br>H<br>L       | H<br>L<br>L       | L               | X               | Valid         | Valid  | Valid<br>—<br>Valid                | High-Z                   | —                                   | Valid<br>Valid           | High-Z  | Yes*                               | $t_{WCS} \geq t_{WCS}(\text{min})$ |
| Read-Modify-<br>Write Cycle         | L                | L<br>H<br>L       | H<br>L<br>L       | H→L             | L→H             | Valid         | Valid  | Valid<br>—<br>Valid                | Valid<br>High-Z<br>Valid | —                                   | High-Z<br>Valid<br>Valid | Yes*    |                                    |                                    |
| RAS-only<br>Refresh<br>Cycle        | L                | H                 | H                 | X               | X               | Valid         | —      | —                                  | High-Z                   | —                                   | High-Z                   | Yes     |                                    |                                    |
| CAS-before-<br>RAS Refresh<br>Cycle | L                | L                 | L                 | X               | X               | —             | —      | —                                  | High-Z                   | —                                   | High-Z                   | Yes     | $t_{CSR} \geq t_{CSR}(\text{min})$ |                                    |
| Hidden<br>Refresh<br>Cycle          | H→L              | L<br>H<br>L       | H<br>L<br>L       | H→X             | L               | —             | —      | —                                  | Valid<br>High-Z<br>Valid | —                                   | High-Z<br>Valid<br>Valid | Yes     | Previous data is kept              |                                    |

X : "H" or "L"

\* : It is impossible in Fast Page Mode.

Fig. 5 – READ CYCLE



## DESCRIPTION

To implement a read operation, a valid address is latched by the  $\overline{\text{RAS}}$  and  $\overline{\text{LCAS}}$  or  $\overline{\text{UCAS}}$  address strobes and with  $\overline{\text{WE}}$  set to a High level and  $\overline{\text{OE}}$  set to a low level, the output is valid once the memory access time has elapsed.  $\overline{\text{LCAS}}$  controls the input/output data on DQ1-DQ8 pins,  $\overline{\text{UCAS}}$  controls one on DQ8-DQ16 pins. The access time is determined by RAS ( $t_{\text{RAC}}$ ),  $\overline{\text{LCAS}}/\overline{\text{UCAS}}$  ( $t_{\text{CAC}}$ ),  $\overline{\text{OE}}$  ( $t_{\text{OE}}$ ) or column addresses ( $t_{\text{AA}}$ ) under the following conditions:

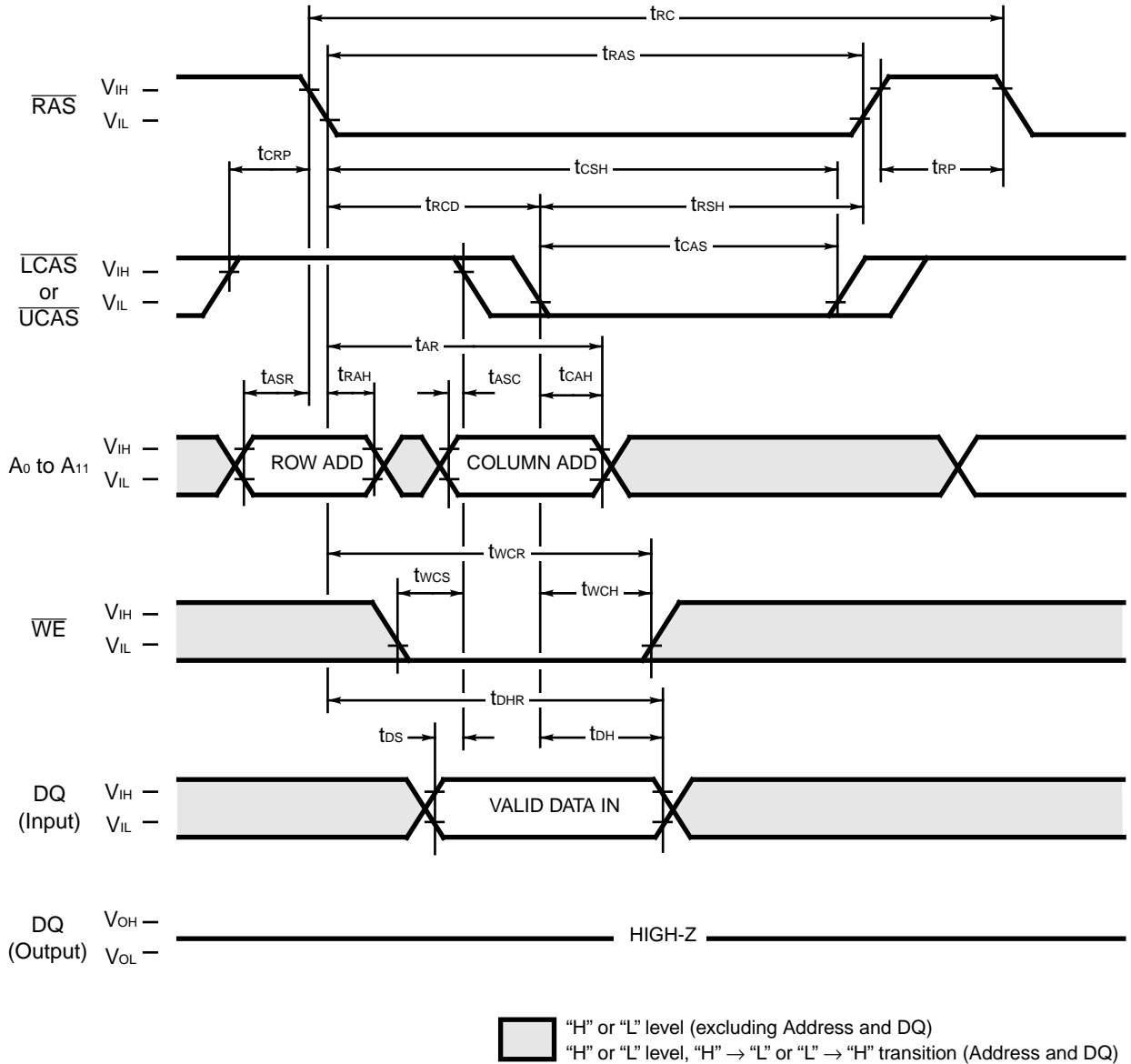
If  $t_{\text{RCD}} > t_{\text{RCD}}(\text{max})$ , access time =  $t_{\text{CAC}}$ .

If  $t_{\text{RAD}} > t_{\text{RAD}}(\text{max})$ , access time =  $t_{\text{AA}}$ .

If  $\overline{\text{OE}}$  is brought Low after  $t_{\text{RAC}}$ ,  $t_{\text{CAC}}$ , or  $t_{\text{AA}}$  (whichever occurs later), access time =  $t_{\text{OE}}$ .

However, if either  $\overline{\text{LCAS}}/\overline{\text{UCAS}}$  or  $\overline{\text{OE}}$  goes High, the output returns to a high-impedance state after  $t_{\text{OH}}$  is satisfied.

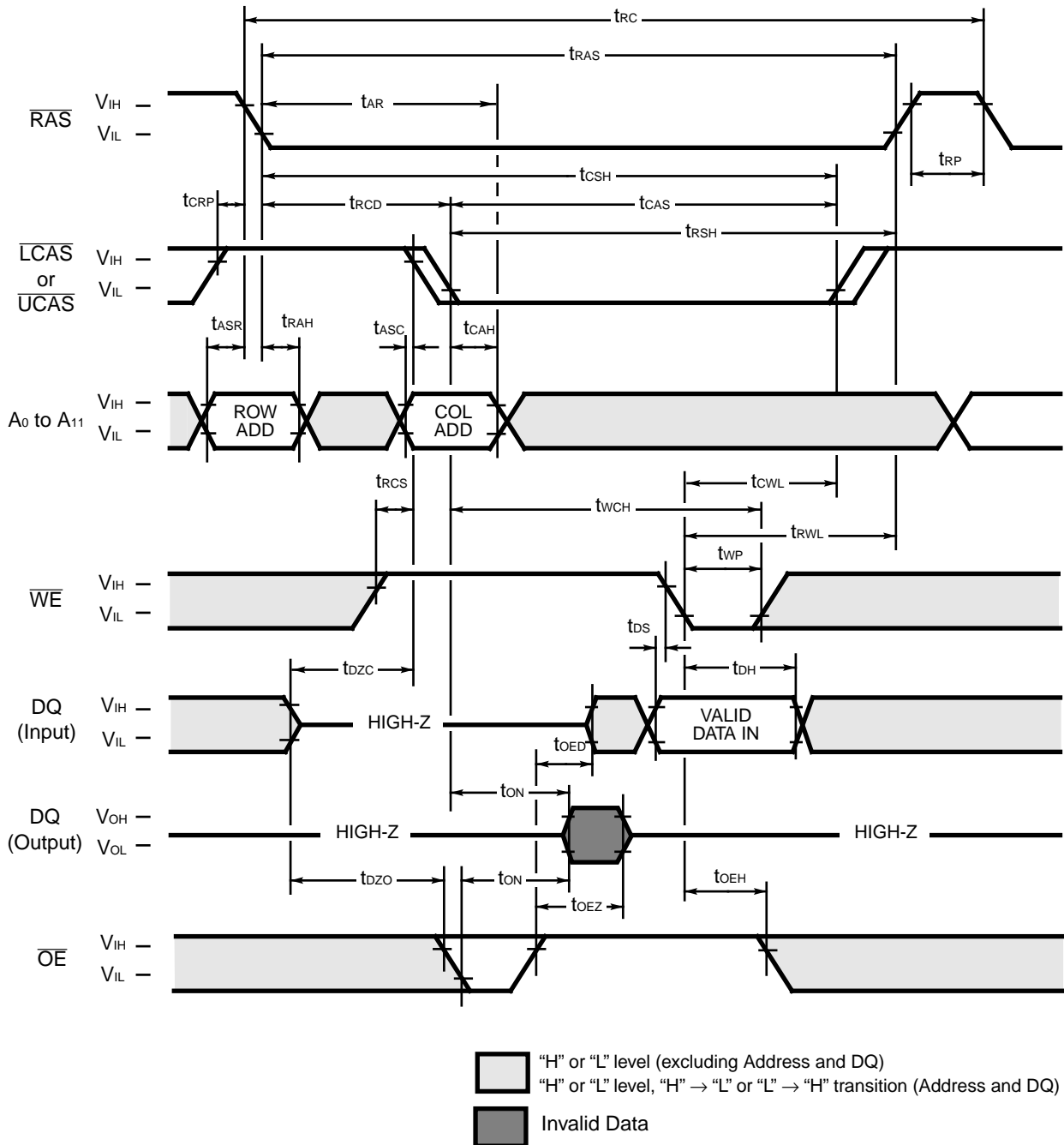
Fig. 6 – EARLY WRITE CYCLE ( $\overline{OE}$  = “H” or “L”)



### DESCRIPTION

A write cycle is similar to a read cycle except  $\overline{WE}$  is set to a Low state and  $\overline{OE}$  is an “H” or “L” signal. A write cycle can be implemented in either of three ways – early write, delayed write, or read-modify-write. During all write cycles, timing parameters  $t_{RWL}$ ,  $t_{CWL}$ ,  $t_{RAL}$  and  $t_{CAL}$  must be satisfied. In the early write cycle shown above  $t_{WCS}$  satisfied, data on the DQ pins are latched with the falling edge of LCAS or UCAS and written into memory.

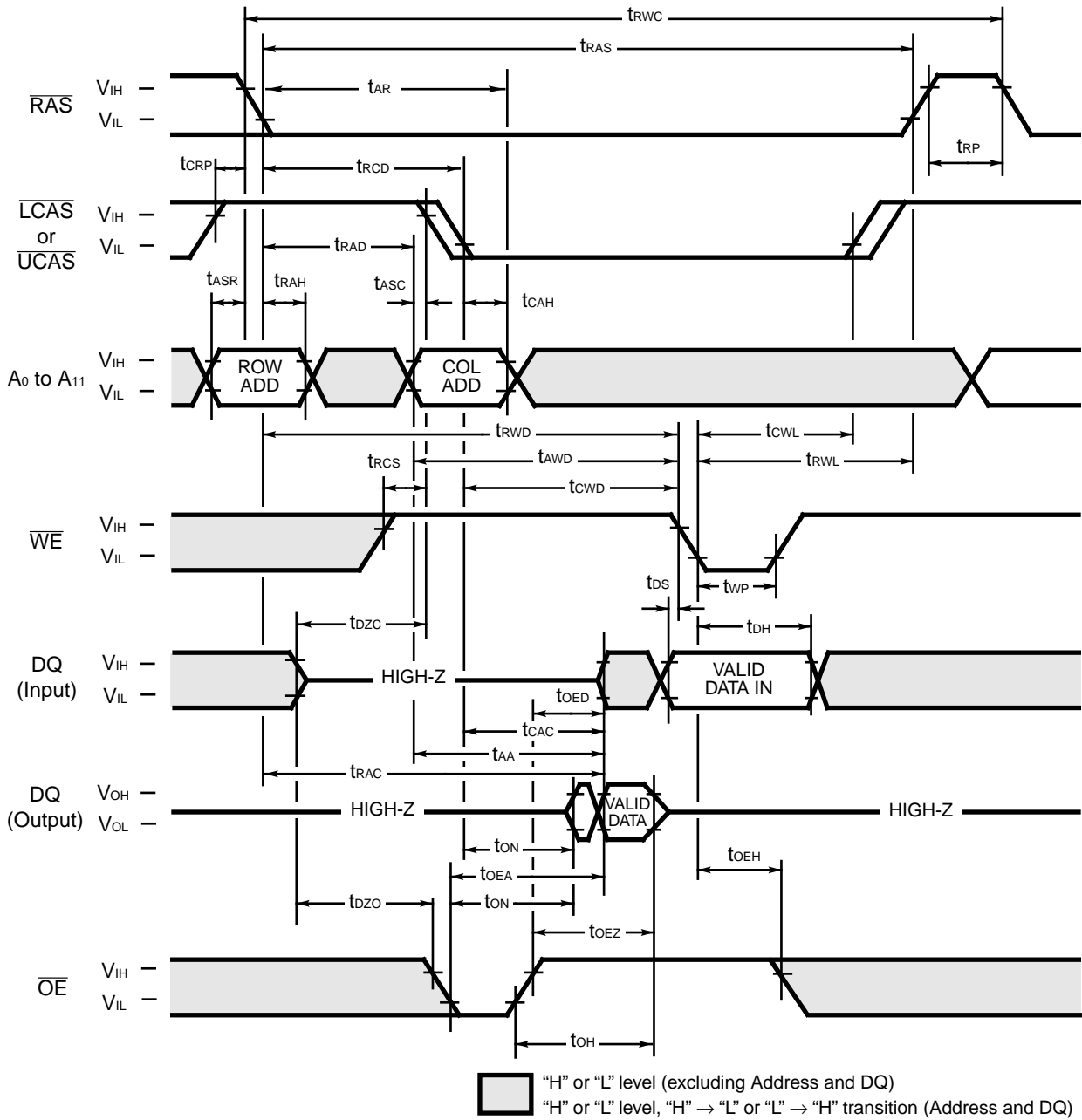
**Fig. 7 – DELAYED WRITE CYCLE**



**DESCRIPTION**

In the delayed write cycle,  $t_{WCS}$  is not satisfied; thus, the data on the DQ pins is latched with the falling edge of  $\overline{WE}$  and written into memory. The Output Enable ( $\overline{OE}$ ) signal must be changed from Low to High before  $\overline{WE}$  goes Low ( $t_{OED} + t_r + t_{DS}$ ).

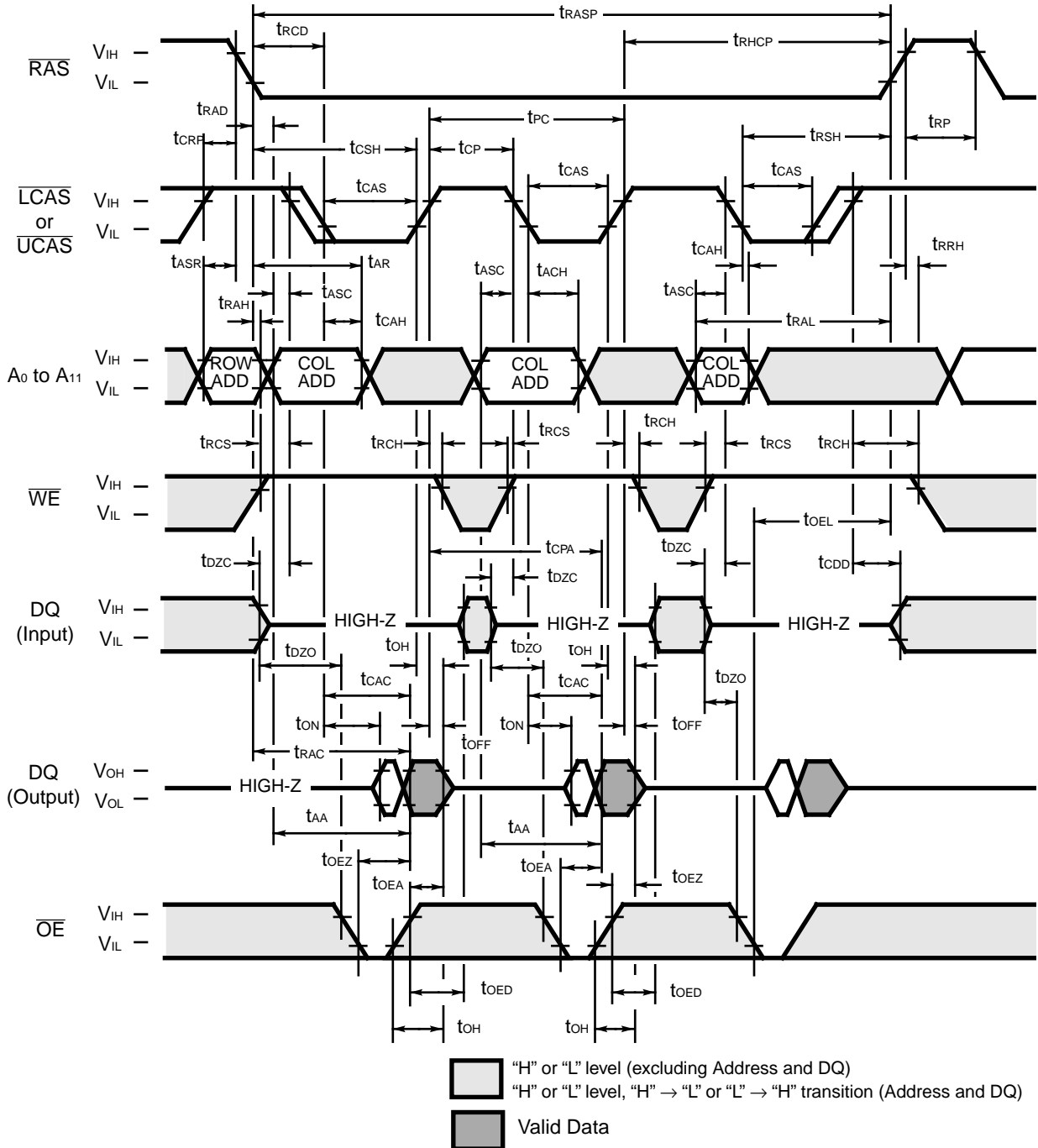
Fig. 8 – READ-MODIFY-WRITE-CYCLE



**DESCRIPTION**

The read-modify-write cycle is executed by changing  $\overline{WE}$  from High to Low after the data appears on the DQ pins. In the read-modify-write cycle,  $\overline{OE}$  must be changed from Low to High after the memory access time.

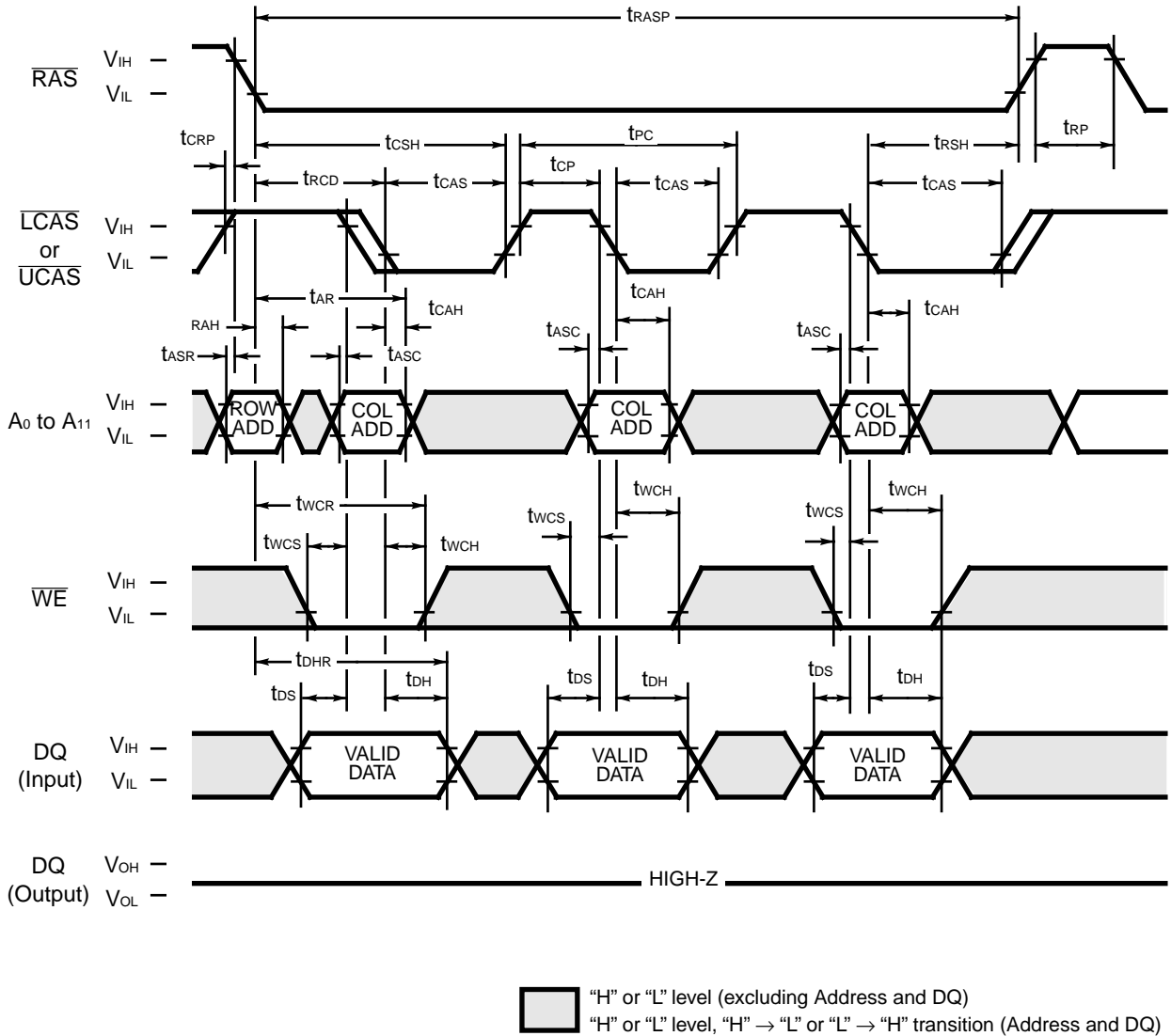
**Fig. 9 – FAST PAGE MODE READ CYCLE**



**DESCRIPTION**

The fast page mode of operation permits faster successive memory operations at multiple column locations of the same row address. This operation is performed by strobing in the row address and maintaining  $\overline{RAS}$  at a Low level and  $\overline{WE}$  at a High level during all successive memory cycles in which the row address is latched. The address time is determined by  $t_{CAC}$ ,  $t_{AA}$ ,  $t_{CPA}$ , or  $t_{OEA}$ , whichever one is the latest in occurring.

**Fig. 10 – FAST PAGE MODE EARLY WRITE CYCLE ( $\overline{OE}$  = “H” or “L”)**



**DESCRIPTION**

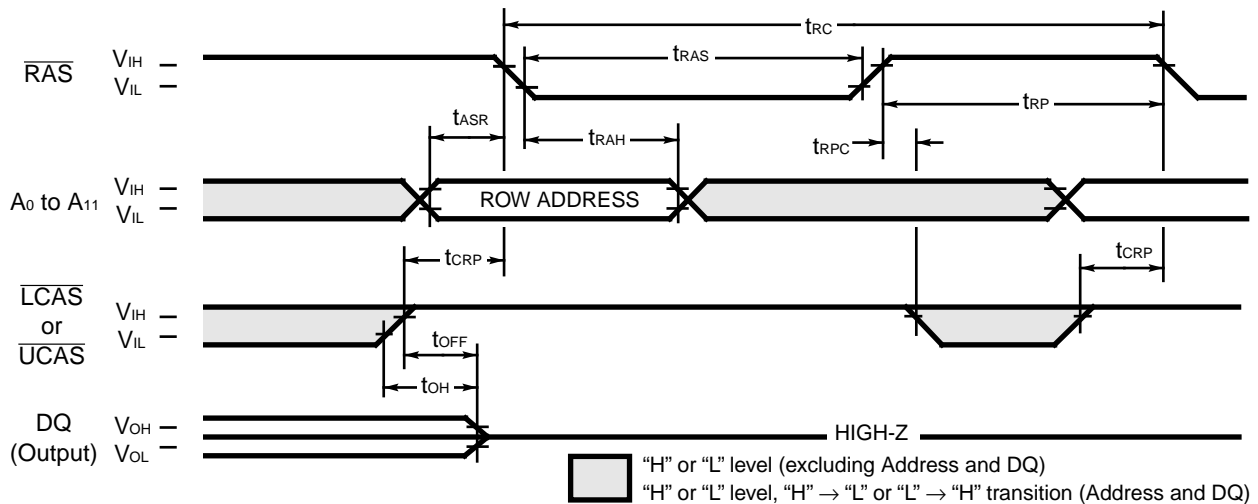
The fast page mode early write cycle is executed in the same manner as the fast page mode read cycle except the states of WE and  $\overline{OE}$  are reversed. Data appearing on the DQ<sub>1</sub> to DQ<sub>8</sub> is latched on the falling edge of  $\overline{LCAS}$  and one appearing on the DQ<sub>9</sub> to DQ<sub>16</sub> is latched on the falling edge of  $\overline{UCAS}$  and the data is written into the memory. During the fast page mode early write cycle, including the delayed ( $\overline{OE}$ ) write and read-modify-write cycles,  $t_{cwl}$  must be satisfied.







**Fig. 13 –  $\overline{\text{RAS}}$ -ONLY REFRESH ( $\overline{\text{WE}} = \overline{\text{OE}} = \text{"H"}$  or  $\text{"L"}$ )**

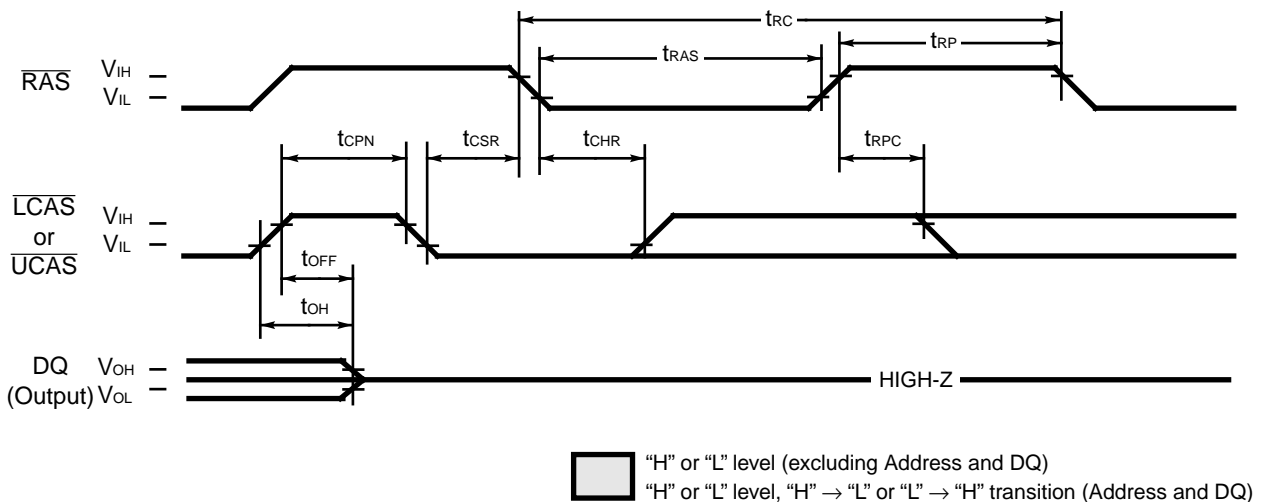


**DESCRIPTION**

Refresh of RAM memory cells is accomplished by performing a read, a write, or a read-modify-write cycle at each of 4096 row addresses every 65.6-milliseconds. Three refresh modes are available:  $\overline{\text{RAS}}$ -only refresh,  $\overline{\text{CAS}}$ -before- $\overline{\text{RAS}}$  refresh, and hidden refresh.

$\overline{\text{RAS}}$ -only refresh is performed by keeping  $\overline{\text{RAS}}$  Low and  $\overline{\text{LCAS}}$  and  $\overline{\text{UCAS}}$  High throughout the cycle; the row address to be refreshed is latched on the falling edge of  $\overline{\text{RAS}}$ . During  $\overline{\text{RAS}}$ -only refresh, DQ pins are kept in a high-impedance state.

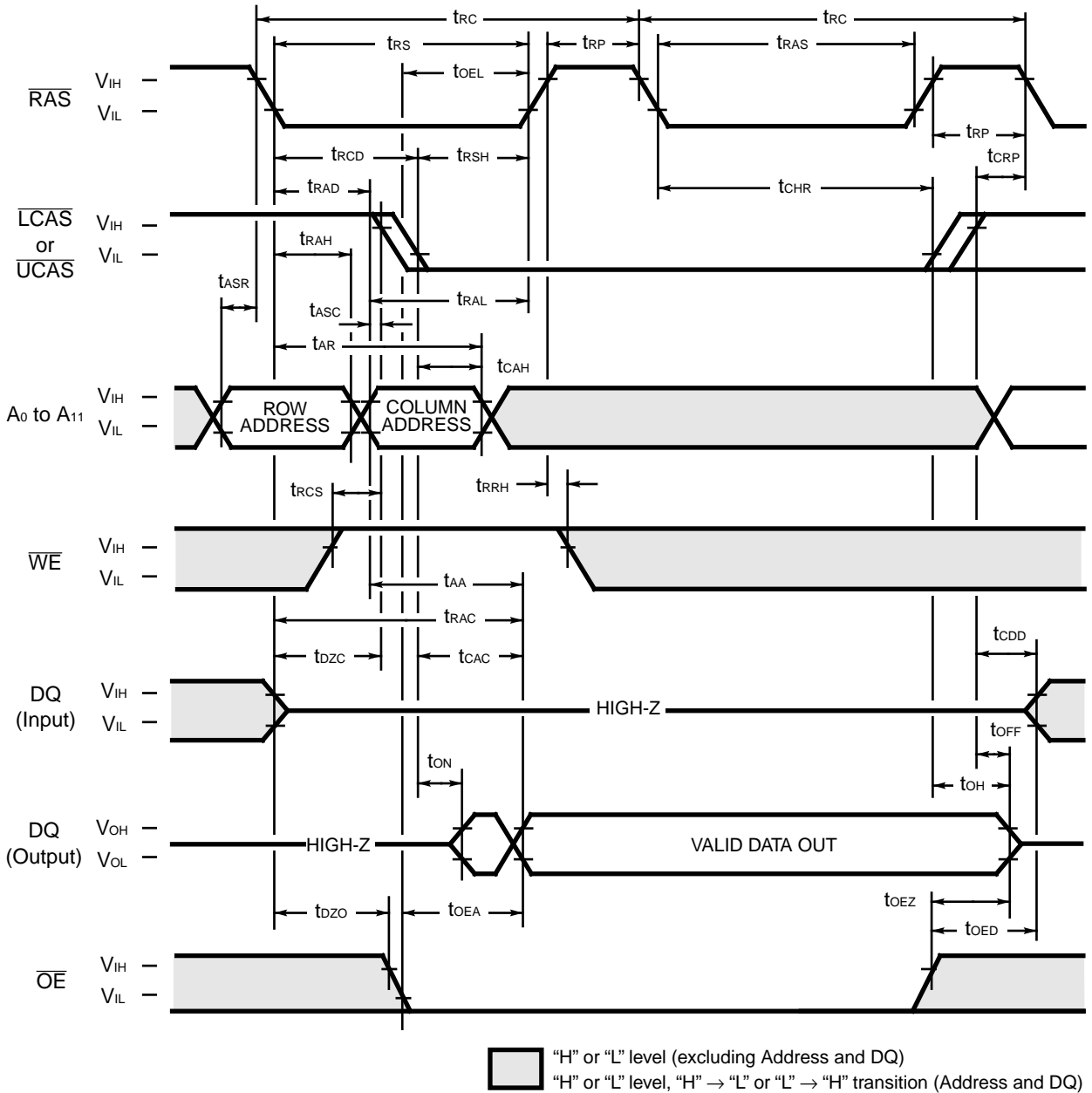
**Fig. 14 –  $\overline{\text{CAS}}$ -BEFORE- $\overline{\text{RAS}}$  REFRESH (ADDRESSES =  $\overline{\text{WE}} = \overline{\text{OE}} = \text{"H"}$  or  $\text{"L"}$ )**



**DESCRIPTION**

$\overline{\text{CAS}}$ -before- $\overline{\text{RAS}}$  refresh is an on-chip refresh capability that eliminates the need for external refresh addresses. If  $\overline{\text{LCAS}}$  or  $\overline{\text{UCAS}}$  is held Low for the specified setup time ( $t_{\text{CSR}}$ ) before  $\overline{\text{RAS}}$  goes Low, the on-chip refresh control clock generators and refresh address counter are enabled. An internal refresh operation automatically occurs and the refresh address counter is internally incremented in preparation for the next  $\overline{\text{CAS}}$ -before- $\overline{\text{RAS}}$  refresh operation.

**Fig. 15 – HIDDEN REFRESH CYCLE**

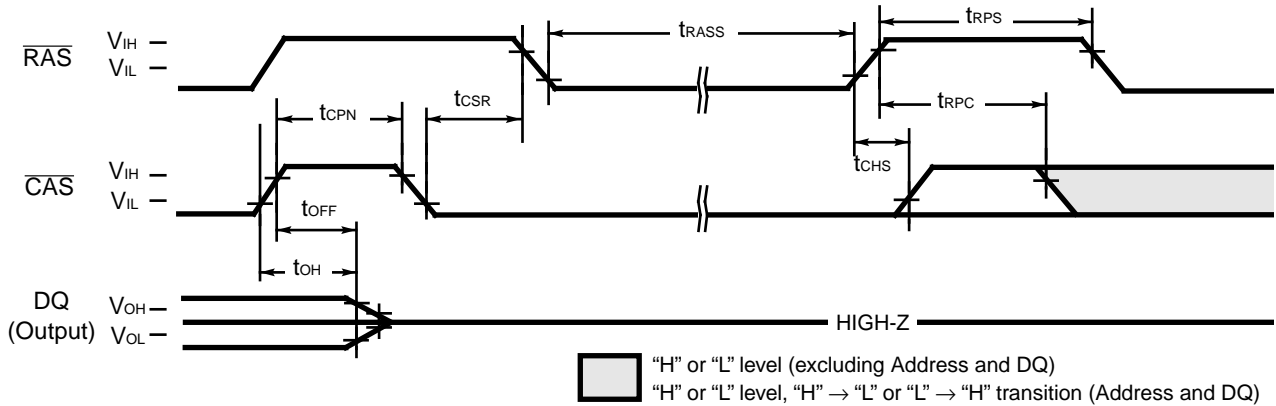


**DESCRIPTION**

A hidden refresh cycle may be performed while maintaining the latest valid data at the output by extending the active time of  $\overline{\text{LCAS}}$  or  $\overline{\text{UCAS}}$  and cycling RAS. The refresh row address is provided by the on-chip refresh address counter. This eliminates the need for the external row address that is required by DRAMs that do not have CAS-before-RAS refresh capability.



Fig. 17 – SELF REFRESH CYCLE (A0 - A11 =  $\overline{WE} = \overline{OE} = \text{“H” or “L”}$ )



(At recommended operating conditions unless otherwise noted.)

| No. | Parameter                       | Symbol     | MB81V16160A-60/60L |      | MB81V16160A-70/70L |      | Unit    |
|-----|---------------------------------|------------|--------------------|------|--------------------|------|---------|
|     |                                 |            | Min.               | Max. | Min.               | Max. |         |
| 100 | $\overline{RAS}$ Pulse Width    | $t_{RASS}$ | 100                | —    | 100                | —    | $\mu s$ |
| 101 | $\overline{RAS}$ Precharge Time | $t_{RPS}$  | 110                | —    | 125                | —    | ns      |
| 102 | $\overline{CAS}$ Hold Time      | $t_{CHS}$  | -50                | —    | -50                | —    | ns      |

Note: Assumes Self Refresh cycle only.

## DESCRIPTION

The self refresh cycle provides a refresh operation without external clock and external Address. Self refresh control circuit on chip is operated in the self refresh cycle and refresh operation can be automatically executed using internal refresh address counter.

If  $\overline{CAS}$  goes to "L" before  $\overline{RAS}$  goes to "L" (CBR) and the condition of  $\overline{CAS}$  "L" and  $\overline{RAS}$  "L" is kept for term of  $t_{RASS}$  (more than 100 $\mu s$ ), the device can enter the self refresh cycle. Following that, refresh operation is automatically executed at fixed intervals using internal refresh address counter during " $\overline{RAS}$ =L" and " $\overline{CAS}$ =L".

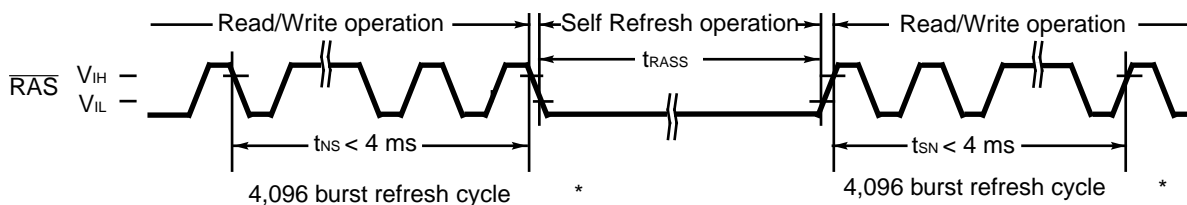
Exit from self refresh cycle is performed by toggling  $\overline{RAS}$  and  $\overline{CAS}$  to "H" with specified  $t_{CHS}$  min.. In this time,  $\overline{RAS}$  must be kept "H" with specified  $t_{RPS}$  min.

Using self refresh mode, data can be retained without external  $\overline{CAS}$  signal during system is in standby.

Restriction for Self Refresh operation ;

For self refresh operation, the notice below must be considered.

- 1) In the case that distributed CBR refresh are operated between read/write cycles  
Self Refresh cycles can be executed without special rule if 4,096 cycles of distributed CBR refresh are executed within  $t_{REF}$  max.
- 2) In the case that burst CBR refresh or distributed/burst /RAS only refresh are operated between read/write cycles  
4,096 times of burst CBR refresh or 4,096 times of burst /RAS only refresh must be executed before and after Self Refresh cycles.

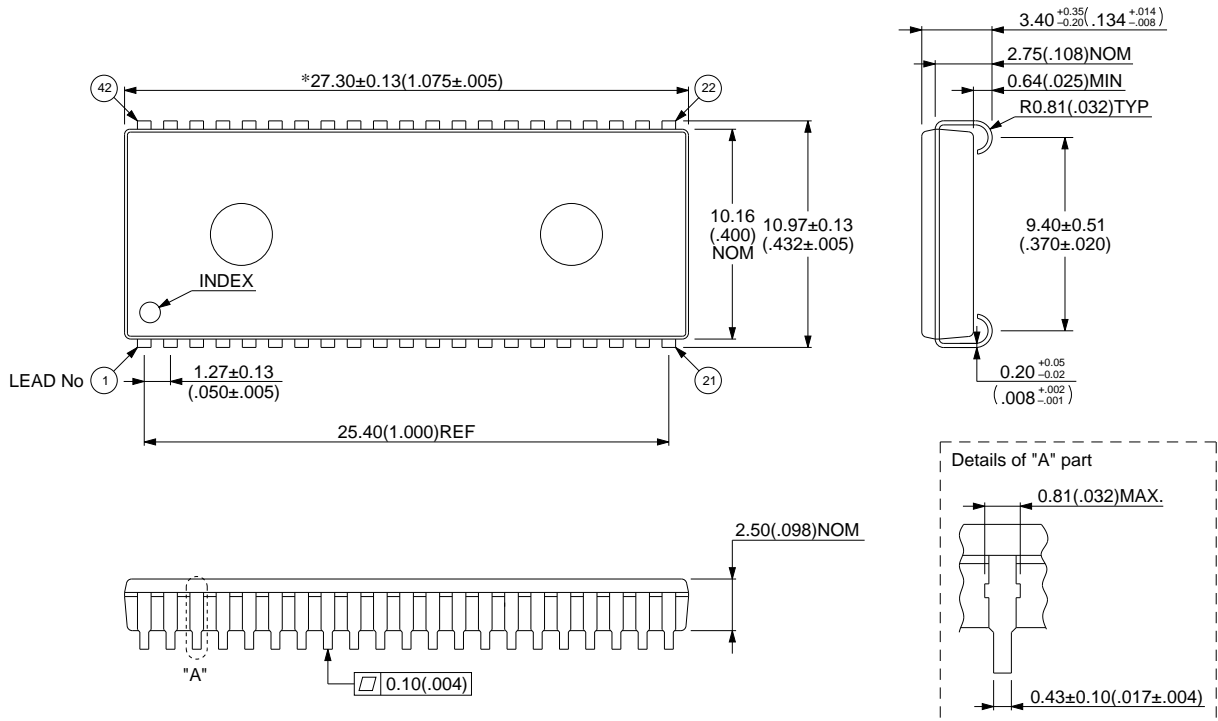


\* Read/Write operation can be performed non refresh time within  $t_{NS}$  or  $t_{SN}$

# MB81V16160A-60/60L/-70/70L

## ■ PACKAGE DIMENSIONS

### 42-LEAD PLASTIC LEADED CHIP CARRIER (CASE No.: LCC-42P-M01)



\*: This dimension exclude resin protrusion. (Each side: 0.15(.006) MAX)

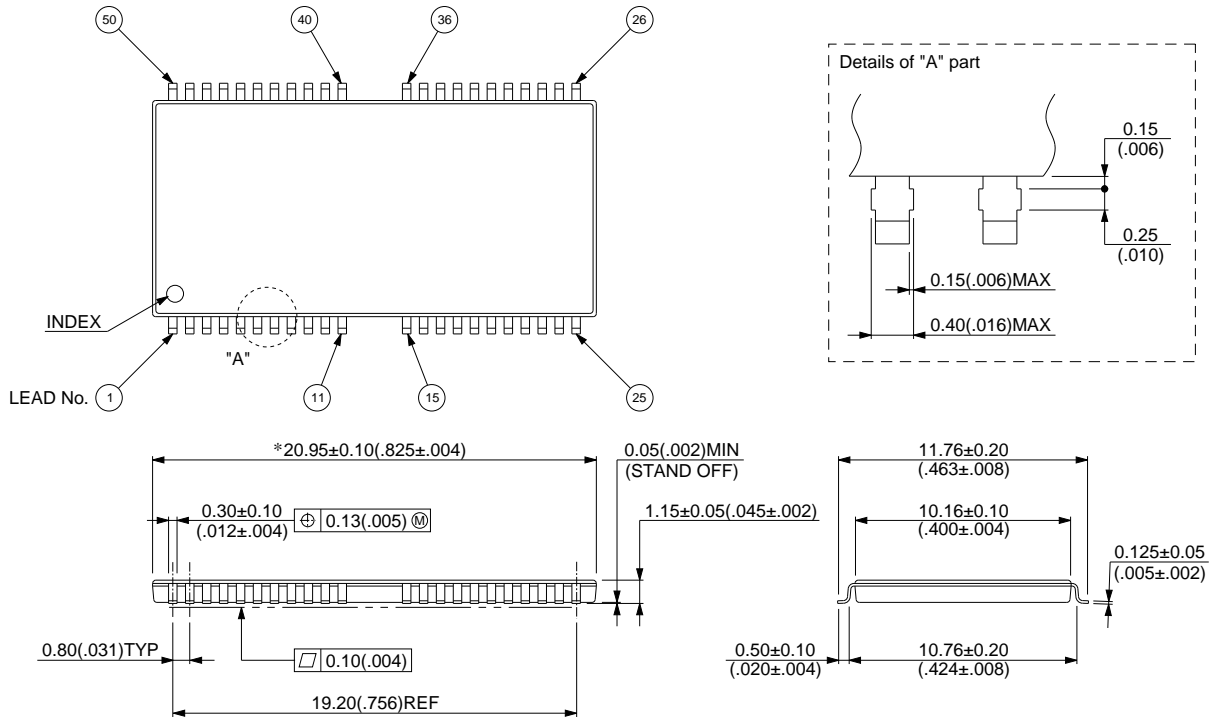
©1994 FUJITSU LIMITED F50006S-2C-1

Dimensions in mm (inches)

# MB81V16160A-60/60L/-70/70L

(Continued)

## 50-LEAD PLASTIC FLAT PACKAGE (CASE No.: FPT-50P-M06)



\*: This dimension exclude resin protrusion. (Each side: 0.15(.006) MAX)

©1994 FUJITSU LIMITED C42001S-2C(W)

Dimensions in mm (inches)



## FUJITSU LIMITED

*For further information please contact:*

### **Japan**

FUJITSU LIMITED  
Corporate Global Business Support Division  
Electronic Devices  
KAWASAKI PLANT, 4-1-1, Kamikodanaka  
Nakahara-ku, Kawasaki-shi  
Kanagawa 211-88, Japan  
Tel: (044) 754-3753  
Fax: (044) 754-3329

### **North and South America**

FUJITSU MICROELECTRONICS, INC.  
Semiconductor Division  
3545 North First Street  
San Jose, CA 95134-1804, U.S.A.  
Tel: (408) 922-9000  
Fax: (408) 432-9044/9045

### **Europe**

FUJITSU MIKROELEKTRONIK GmbH  
Am Siebenstein 6-10  
63303 Dreieich-Buchsschlag  
Germany  
Tel: (06103) 690-0  
Fax: (06103) 690-122

### **Asia Pacific**

FUJITSU MICROELECTRONICS ASIA PTE. LIMITED  
#05-08, 151 Lorong Chuan  
New Tech Park  
Singapore 556741  
Tel: (65) 281 0770  
Fax: (65) 281 0220

All Rights Reserved.

The contents of this document are subject to change without notice. Customers are advised to consult with FUJITSU sales representatives before ordering.

The information and circuit diagrams in this document presented as examples of semiconductor device applications, and are not intended to be incorporated in devices for actual use. Also, FUJITSU is unable to assume responsibility for infringement of any patent rights or other rights of third parties arising from the use of this information or circuit diagrams.

FUJITSU semiconductor devices are intended for use in standard applications (computers, office automation and other office equipment, industrial, communications, and measurement equipment, personal or household devices, etc.).

#### **CAUTION:**

Customers considering the use of our products in special applications where failure or abnormal operation may directly affect human lives or cause physical injury or property damage, or where extremely high levels of reliability are demanded (such as aerospace systems, atomic energy controls, sea floor repeaters, vehicle operating controls, medical devices for life support, etc.) are requested to consult with FUJITSU sales representatives before such use. The company will not be responsible for damages arising from such use without prior approval.

Any semiconductor devices have inherently a certain rate of failure. You must protect against injury, damage or loss from such failures by incorporating safety design measures into your facility and equipment such as redundancy, fire protection, and prevention of over-current levels and other abnormal operating conditions.

If any products described in this document represent goods or technologies subject to certain restrictions on export under the Foreign Exchange and Foreign Trade Control Law of Japan, the prior authorization by Japanese government should be required for export of those products from Japan.