



HM9215 SERIES (HM9215/11/10/09/05)

PROGRAMMABLE MANCHESTERCODE ENCODER/DECODER

Features

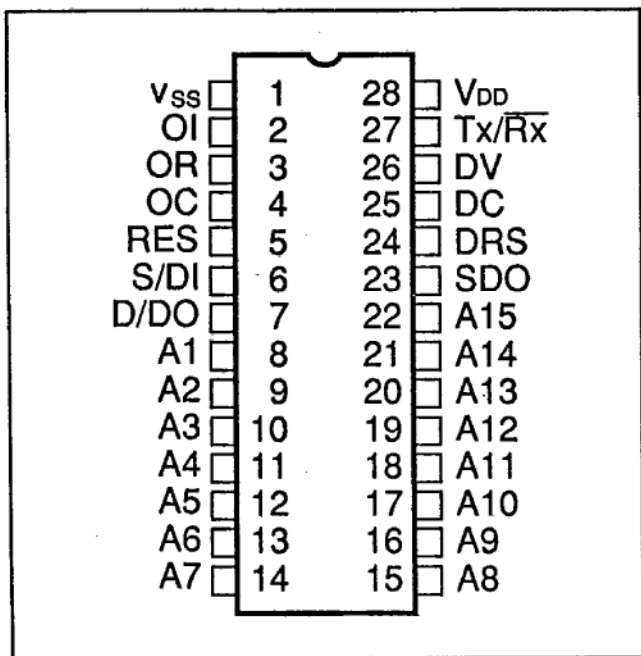
- Operating voltage range 3.0V-9.0V.
- Manchester code encoder/decoder on one chip.
- Stable operating frequency.
- On chip oscillator using inexpensive RC components. (R.C: $\pm 10\%$)
- Automatic preamble generation.
- Schmitt trigger for data Input.
- Low stand-by current.

Applications

- Cordless telephone.
- Remote control.
- Car alarm control system.
- Security system.
- Digital locks.
- Paging system.

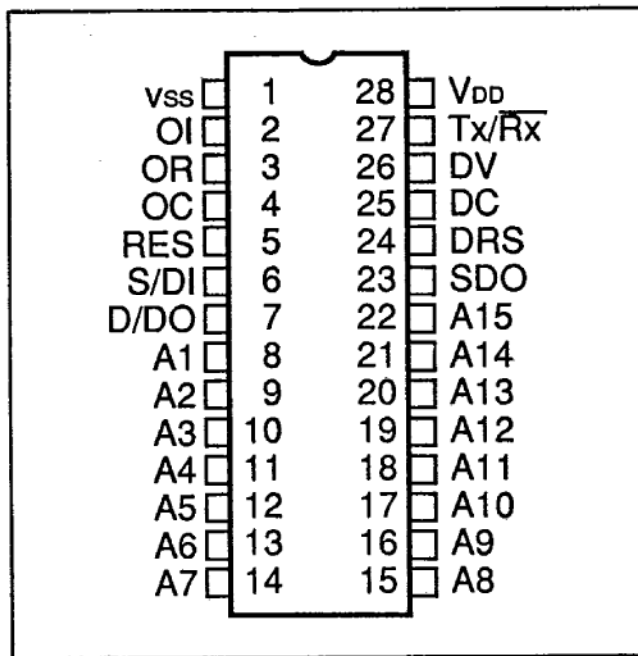
Pin Configuration and Code Patterns

HM9215



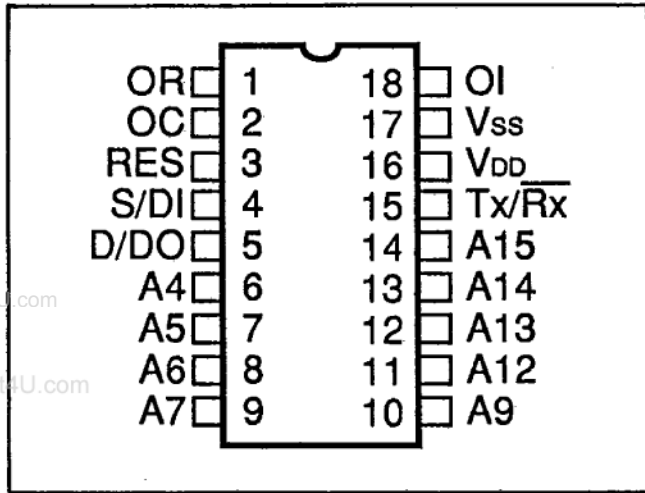
	A1	A15
Tx	1	X X X X X X X X X X X X X X X
Fx	1	X X X X X X X X X X X X X X X

HM9211



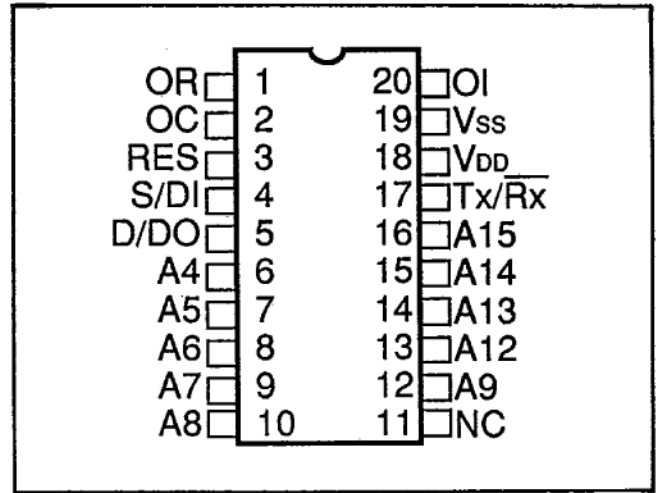
	A1	A15
Tx	1	X X X X X X X X X X X X X X X
Rx	1	X X X X X X X X X X X X D D D D

HM9209



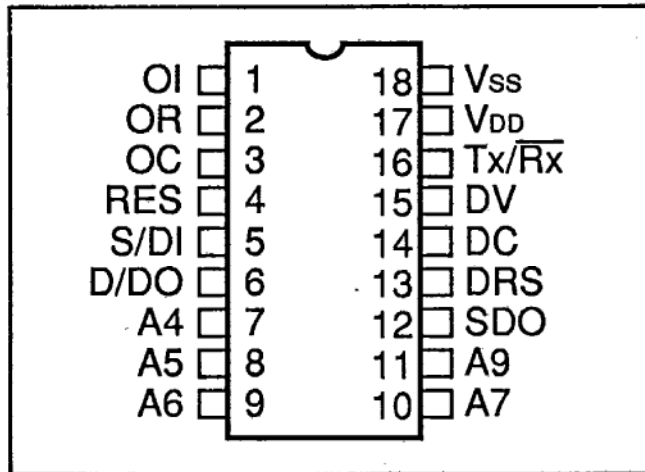
	A1														A15
Tx	1	0	0	0	X	X	X	X	0	X	0	0	X	X	X
Rx	1	0	0	0	X	X	X	X	0	X	0	0	X	X	X

HM9210



	A1														A15
Tx	1	0	0	0	X	X	X	X	X	0	0	X	X	X	
Rx	1	0	0	0	X	X	X	X	X	0	0	X	X	X	

HM9205



	A1														A15
Tx	1	0	0	0	X	X	X	X	0	X	0	0	X	X	
Rx	1	0	0	0	X	X	X	X	0	X	0	0	D	D	

Note: X = Programmable
 0 = Hardwired Internally Zero
 1 = Hardwired Internally One
 D = Don't Care in Receive Mode