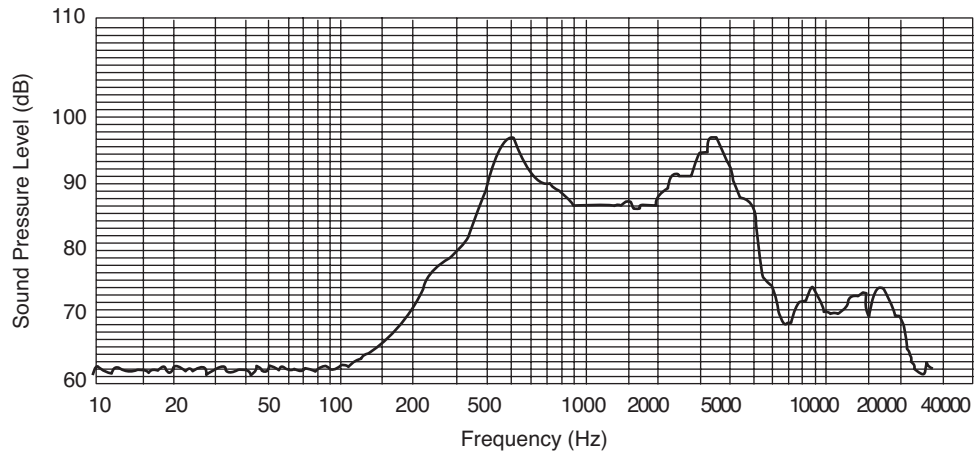
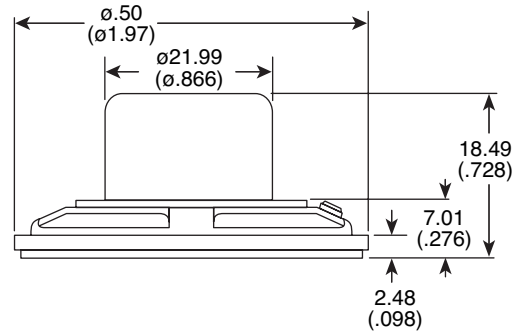
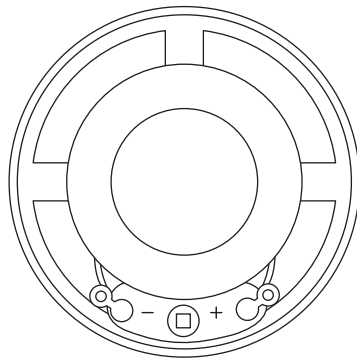


Part Number:

25SP008



Speaker

KT-400040

**Electrical Specifications:**

- Impedance: 100Ω±15Ω
- Resonant frequency: 480Hz±60Hz
- Frequency response: 480Hz~4KHz
- Sound pressure level: 86±2dB/W
- Power: 0.2W typ., 0.3W max.

**Materials:**

- Magnet: Alnico
- Magnet weight: .35 oz.
- Weight: 1.38 oz.