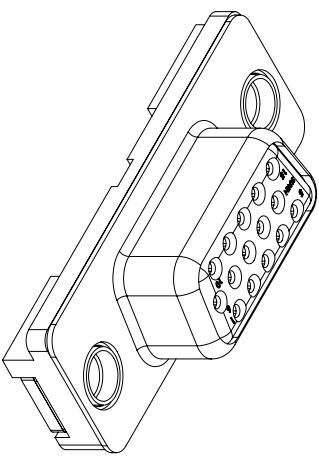


- NOTE:
070008FB015S□034R
- Selective plating
 *S1,-05u" Min. gold in contact area/
 100u" Min. Tin in solder area.
 *S2,-Gold flash in contact area/
 100u" Min. Tin in solder area.
 *S3,-10u" Min. gold in contact area/
 100u" Min. Tin in solder area.
 *S4,-15u" Min. gold in contact area/
 100u" Min. Tin in solder area.
 *S5,-30u" Min. gold in contact area/
 100u" Min. Tin in solder area.
 *S6,-50u" Min. gold in contact area/
 100u" Min. Tin in solder area.



Recommended P.C.B Layout
(Component Side)
30.81±0.2

4 FORK	Brass	—	Tin Plated
3 Shell	Spcc	—	Nickel Plated
2 Terminal	Pho/Bronze	—	Gold/Tin Plated
1 Housing	NY-9T	Blue(660c)	UL 94V-0
NO. DESCRIPTION	MATERIAL	COLOR	REMARK

SUWIN
CONNECTOR

CUSTOMER TITLE: 15 PIN D-SUB
COPY Female SMD Type Conn.

PART NO. 070008FB015SX034R

PART NO. (OLD)

DRAWING NO. D 070008FB015SX034R

SCALE 4:1 UNIT mm A4

ECN (DCN) NO.	REV	DATE	DESCRIPTION	CHANGE APPRO.	GENERAL TOLERANCE UNLESS OTHERWISE NOTED
	0		NEW		Angle ±2° 30 ~ ±0.50 10 ~ 30 ±0.30 ~ 10 ±0.15