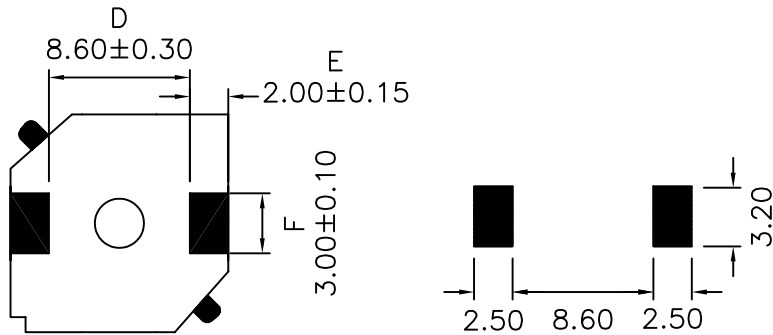
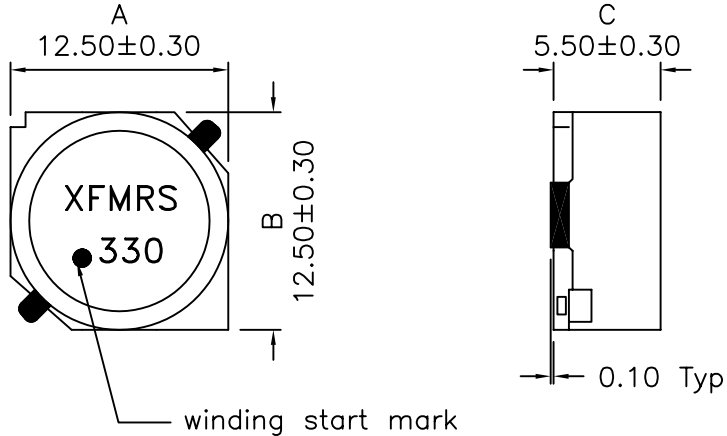
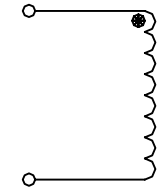


1. Mechanical Dimensions:



BOTTOM VIEW

2. Schematic:



3. Electrical Specifications:

OCL: 33uH ±20% @1.0KHz 500mV

DCR: 0.0415 Ohms ±20%

IDC 1: 1.90A dc Max. (Based on inductance change)

IDC 2: 3.10A dc Max. (Based on temperature rise)

OCL with 1.90A dc drop 10% Max

Notes:

1. Solderability: Leads shall meet MIL-STD-202, Method 208D for solderability.
2. Flammability: UL94V-0
3. ASTM oxygen index: > 28%
4. Temperature rating: 155°C. UL file E151556
5. Operating Temperature Range: All listed parameters are to be within tolerance from -20°C to +90°C
6. Storage Temperature Range: -40°C to +90°C

DOC. REV: A/2

| | | |
|-----------------|---|------------------------------|
| XFMR 330 | Title: INDUCTOR | |
| | UNLESS OTHERWISE SPECIFIED TOLERANCES: .xx. ±0.25 Dimensions in MM | P/N: XF12555S-330M REV. A |
| | DWN. | 罗振江 Jul-13-03 |
| | CHK. | 廖玉坤 Jul-13-03 |
| | APP. | Isaiah M Jul-13-03 |