



**Solid State Devices, Inc.**

14701 Firestone Blvd \* La Mirada, CA 90638  
 Phone: (562) 404-7855 \* Fax: (562) 404-1773  
 ssdi@ssdi-power.com \* www.ssdi-power.com

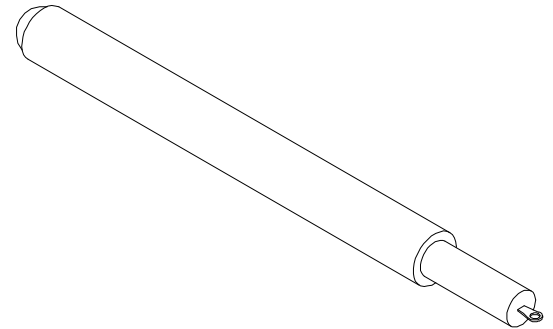
**DESIGNER'S DATA SHEET**

**Features:**

- Voltage 12 kV ± 500 V
- Current to 1mA
- Rugged – Fail Safe Construction
- Metal Envelope
- Designed for Compact High Voltage Power Supplies
- Capable of being Used at Altitude of 25000 ft.
- Shock: 100g per MIL-STD-202, Method 202
- Vibration: 10g, 10 – 500 cps
- Other Voltages Available; Consult Factory
- Replaces Victoreen M45C-12

**SZA45C-12**

**Solid State  
 1 mA / 12 kVolts  
 High Voltage Regulator**



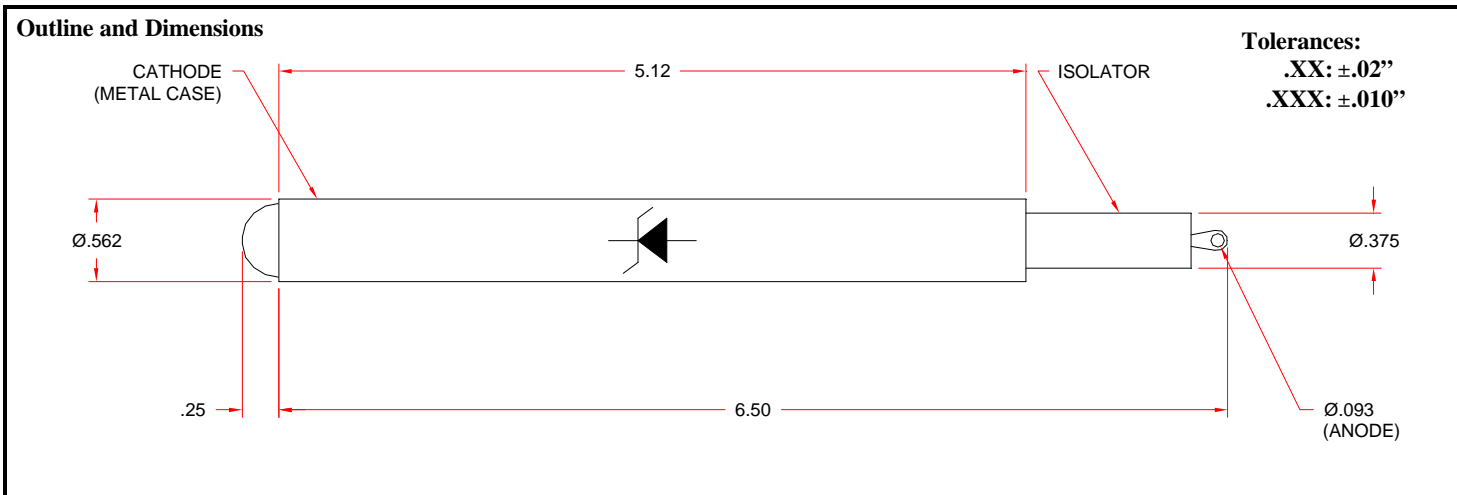
Maximum Ratings	Symbol	Value	Units
Maximum Continuous Current	$I_Z$	1.0	mA
Peak Current	$I_{PK}$	1.5	mA
Operating & Storage Temperature	Top & Tstg	-55 to +125	°C

**Electrical Characteristics @ 25°C**

NUMBER	Nom. Voltage [ kV ]	Test Current [ $\mu$ A ]	Tolerance [ V ]	Current [ $\mu$ A ]		Regulation <sup>1/</sup> [ V ]
				Min	Max	
SZA45C-12	12	300	±300	25	1000	500

**NOTE:**

<sup>1/</sup> Regulation is Defined as Maximum Change in Voltage from Minimum to Maximum Current.



**NOTE:** All specifications are subject to change without notification. SCD's for these devices should be reviewed by SSDI prior to release.

**DATA SHEET #: Z00006A**

**DOC**