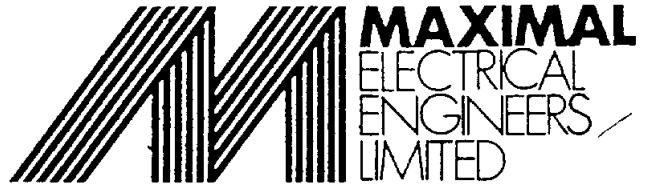


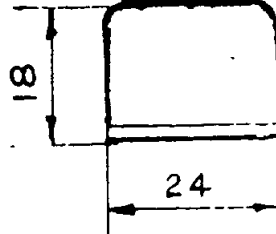
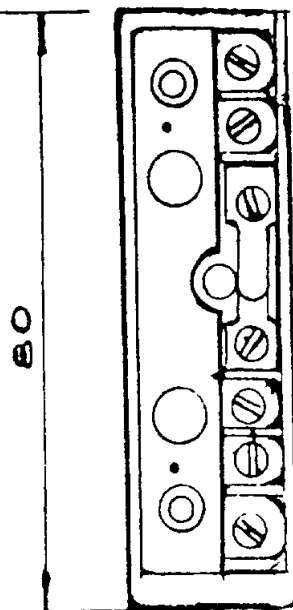
101-791/3. 101-794 to 799.

13-19 LOWER ROAD, SUTTON, SURREY SM1 4QJ TELEPHONE 01-642 4474/5

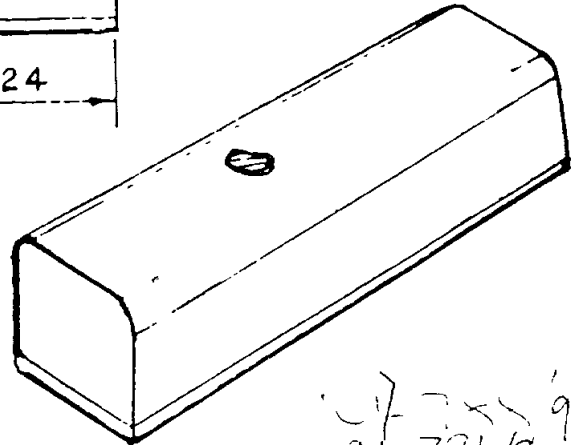
Original - Do Not Send



701 Junction Box.



701/Colour.



101-791/3

Application. Security Industry.

101-794 to 799.

1. As a general purpose junction box with lid tamper facility.
2. For termination of door loops and extendible cords, 4 or 6 way.
3. For termination of door contacts, where the reed switch has been encapsulated for use in wet environments, and because the device has had to have flying leads which are directed to a non damp area where the junction box is located.

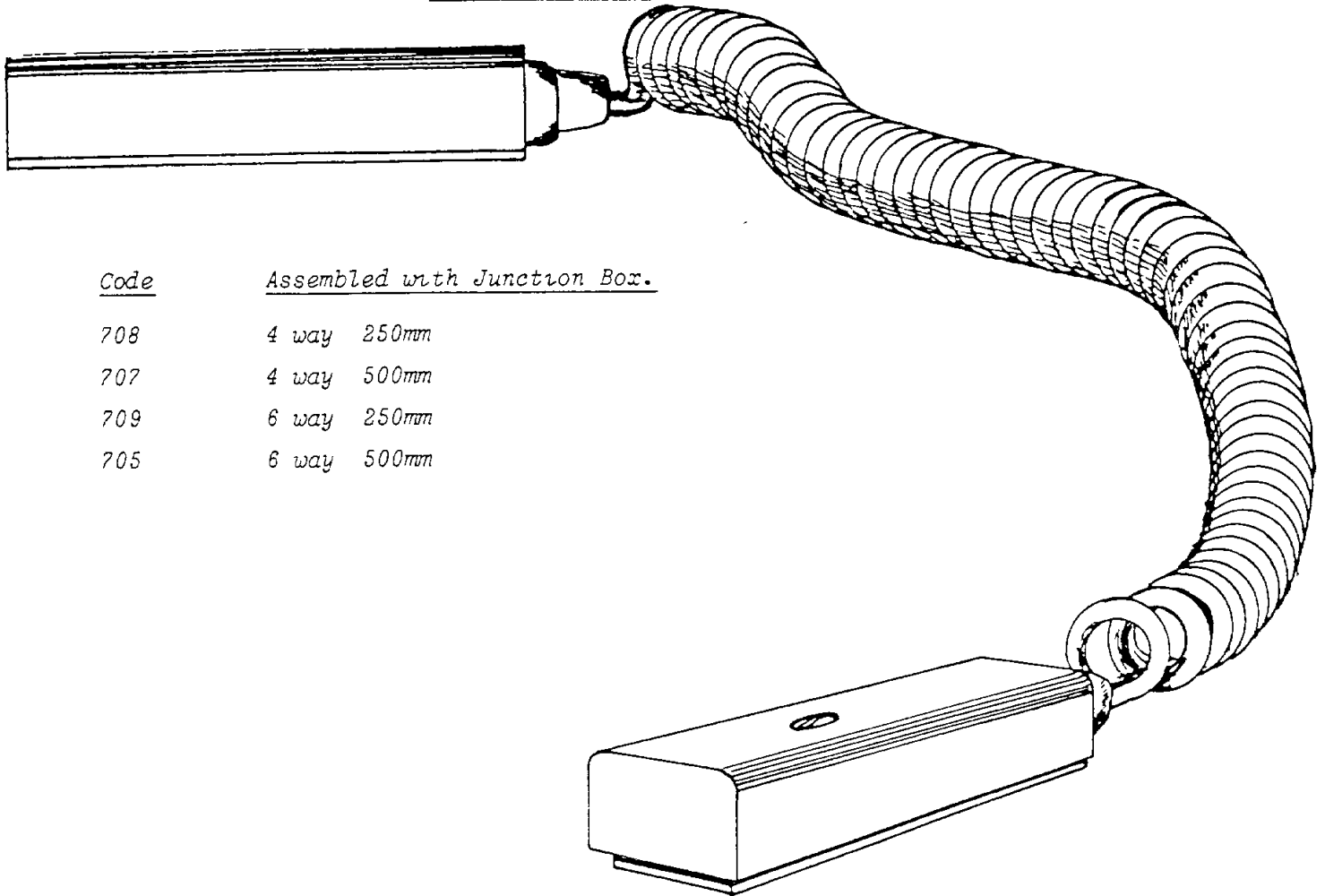
Specification:

Case material	High impact polystyrene
Terminals	6BA x $\frac{1}{4}$ " pan head brass screws
Lid contacts	.009" phosphor bronze nickel plated to 4 microns thickness
Lid screws	Captive 6BA x $\frac{1}{2}$ " cheese head brass nickel plated screws
Knock outs & cable entry	Both ends (one will accept the standard GPO grommet. Also two \varnothing 7mm holes in base)
Fixing	By panel pins or no. 4 x $\frac{1}{2}$ " conurel. surk wood screws
Temperature range	+ 50°C to -40°C
Colours	Ivory (cream), elephant g. e. (brown), keron grey (light grey), white

THIS
PAGE
IS
INTENTIONALLY
LEFT
BLANK

FREE DATA SHEETS FROM
FARNELL DATA SERVICE
TELEPHONE 0113 231 0160
FAX 0113 279 4449

EXTENDIBLE DOOR LOOPS.

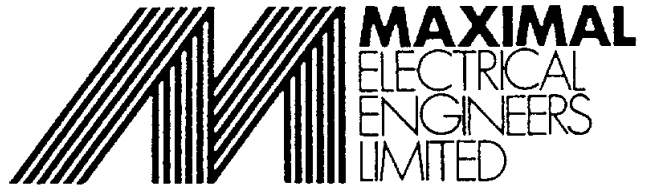


<u>Code</u>	<u>Assembled with Junction Box.</u>
708	4 way 250mm
707	4 way 500mm
709	6 way 250mm
705	6 way 500mm

<u>Code</u>	<u>Cable Only.</u>
758	4 way 250mm
757	4 way 500mm
759	6 way 250mm
760	6 way 500mm

Colours Available.

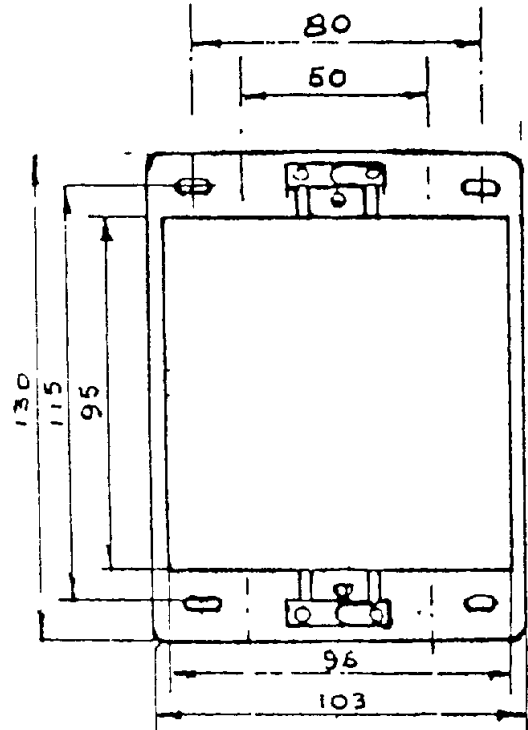
Ivory (Cream)
Elephant Grey (Brown)
Heron Grey (Light Grey)
White



A 24-way Junction box designed for the security industry.

FEATURES

- 1] Twin normally closed tamper contacts for lid.
- 2] Four sets of break-outs to accept $\frac{1}{2}$ " conduit, two at the top and two at the bottom.
- 3] Conduit is held in the clamped position by the final tightening of the fixing screws.
- 4] Four slotted fixing holes are provided so that box can be aligned before final tightening of fixing screws.
- 5] Two 12-way terminal strips are located in the base of the box.



SPECIFICATION

SIZE 130mm x 103mm x 55mm outside.
Usable internal dimensions.
95mm x 96mm x 49.5mm.

MATERIAL Box injection moulded in High Impact Polystyrene.

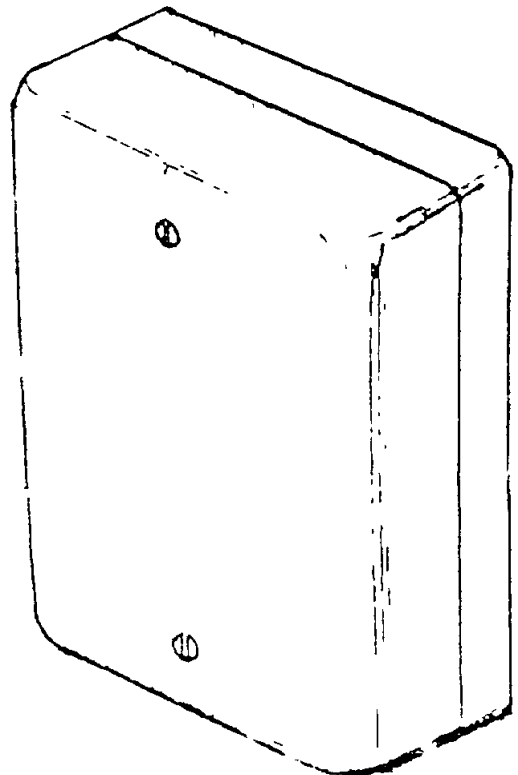
FIXING Hole size 5mm [$\frac{3}{16}$ "]
Suggested screw size [supplied if requested].
4.2mm dia. x 30mm long. Pan head self tapping. [No.8 x $\frac{1}{4}$ Round head wood screw]
Suggested wall plug [$\frac{3}{8}$ "] 20mm long.

TEMPERATURE Maximum service temperature of box 56°C to -30°C

TERMINAL 5 amp x 12-way strip type.
Moulded in P.V.C [Self-extinguishing].

BLOCKS Hole centres 8mm. hole size for wire 2.4mm dia. Screw size
Temperature range of terminal block 85°C to -40°C .

WEIGHT





FOIL MAKE-OFF BLOCKS

- 721 Single Foil make-off Block - clear acrylic plastic.
- 722 Double Foil make-off Block - clear acrylic plastic.
22mm Foil centres.
- 723 Single Foil make-off Block - clear acrylic plastic.
Extended foil protection plate. Single.
- 724 Double Foil make-off Block - clear acrylic plastic.
22mm Foil centres. Extended foil protection plate.
Double.
- 725 Aluminium Window Foil - 9mm. width.
- 726 Foil Block Cover.
- 727 Right Angle Foil make-off Block.
- 728 Aluminium Window Foil - 6mm. width.
- 725/728 A self adhesive foil for the Security Industry.
Designed to meet:- BS 4737 Part 3: Section 3.2.1977.

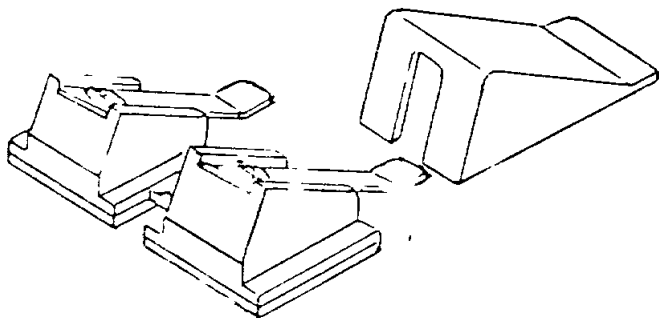
SPECIFICATION.

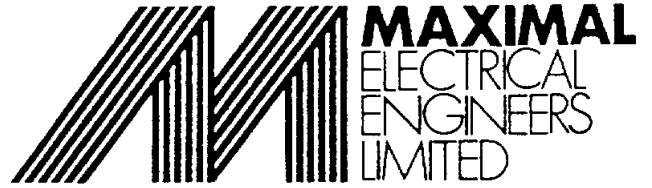
Soft tempered Aluminium Foil.

Acrylic adhesive. Long ageing and relatively unaffected by U.V. light.

THICKNESS. 0.04mm (40 U) (0.0015")

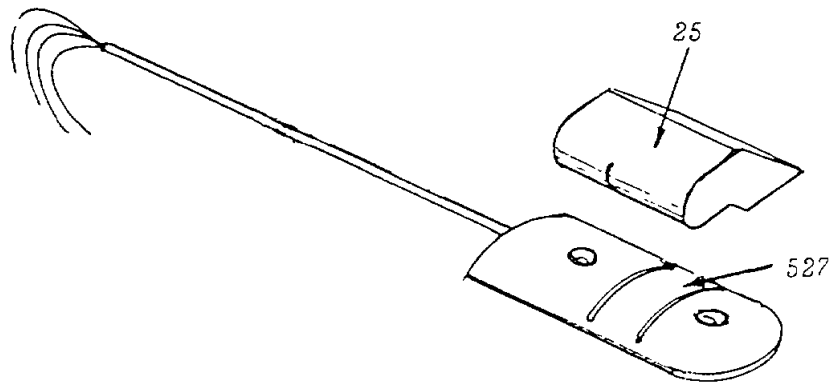
LENGTH. 50 metres.





527/25 Roller shutter Contact & Magnet Holder.

Black H.I. styrene with a low profile. One reed switch fully encapsulated to make the unit waterproof. Normally supplied with four outgoing wires housed in an aluminium tube, which can be formed by hand when installing the unit.

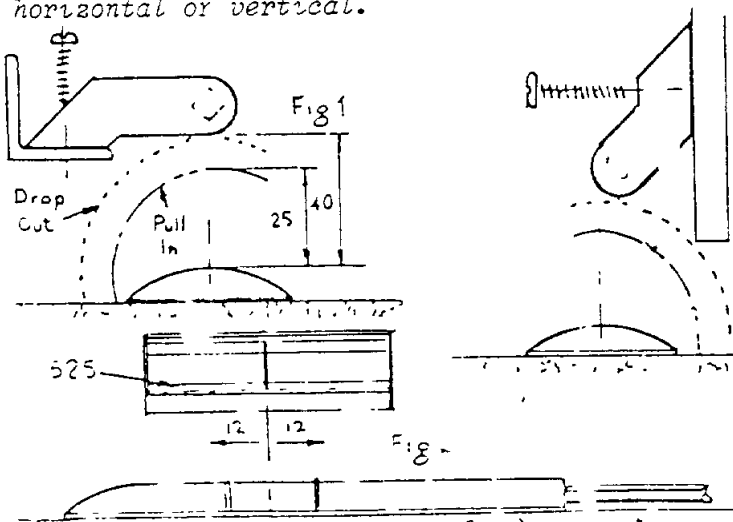


Specification 527

Material:	Black H.I. styrene
Reed switch contacts:	One SPST
Power handling:	10 VA
Current switching capability:	1 milliamp to 1 Amp
Voltage switching range:	1 millivolt to 250 Volts
Dimensions:	150mm long, 50mm wide, 10mm high

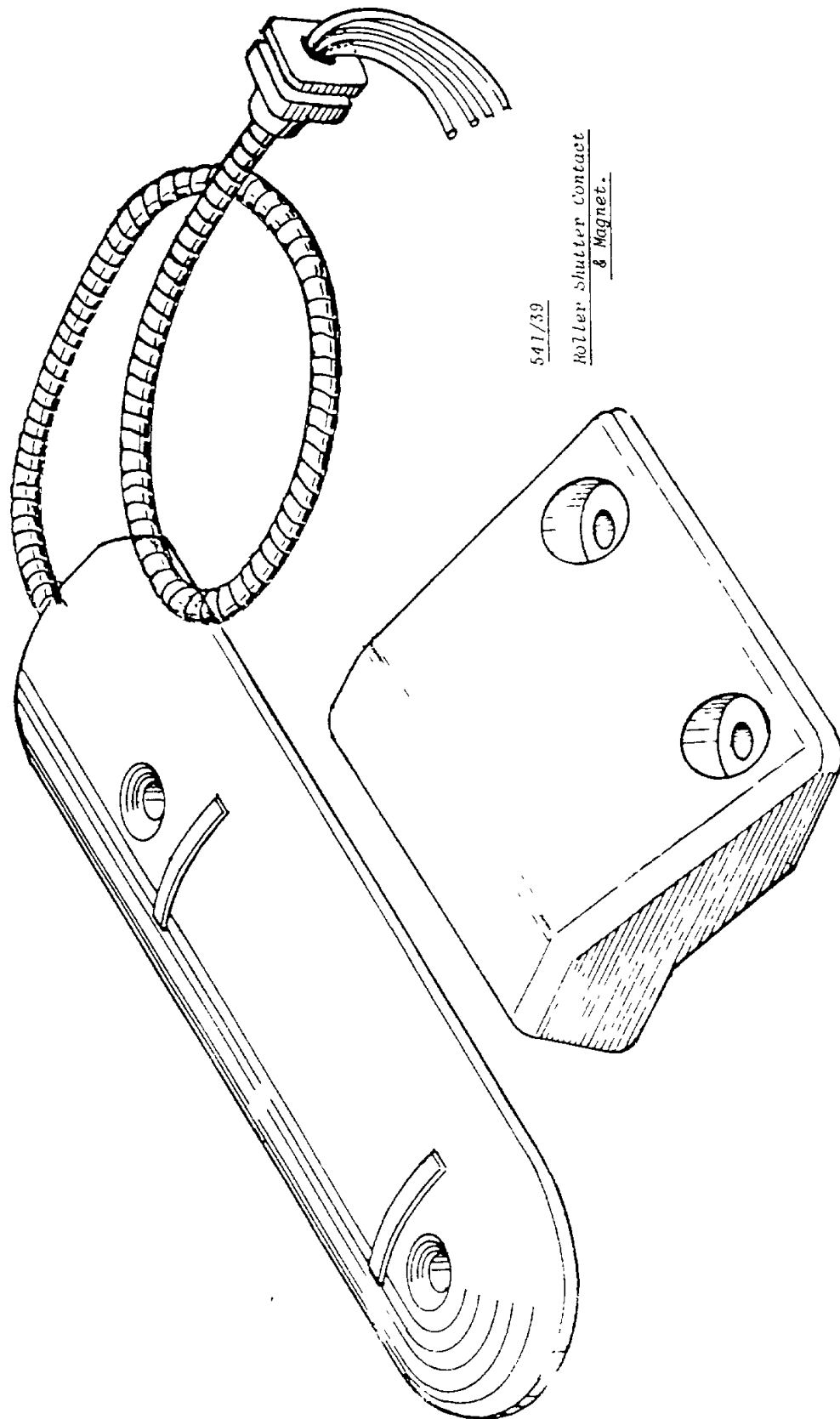
25 Magnet Holder.

Designed to suit 527 Roller Shutter Contacts. Injection two part moulding to form a box for strength and clear lines. The holder can be mounted on horizontal or vertical.

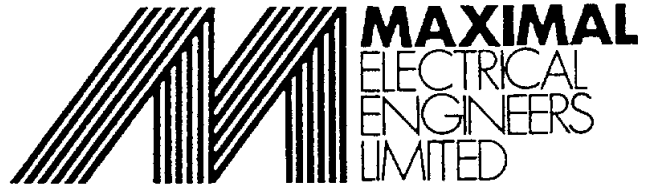


Specification 25.

Material:	H.I. Styrene
Colour:	Black
Range:	See fig. 1 & 2



541/39
Roller Shutter Contact
& Magnet.



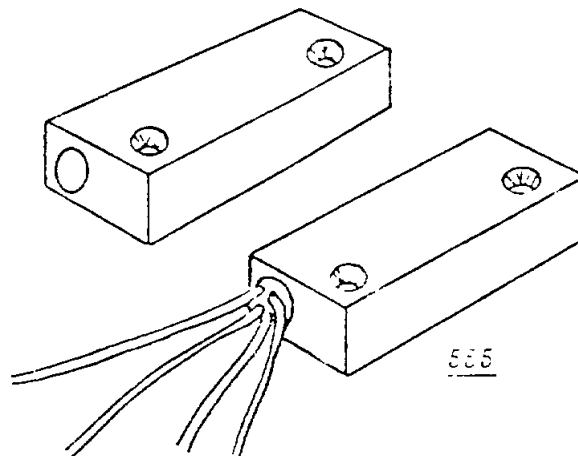
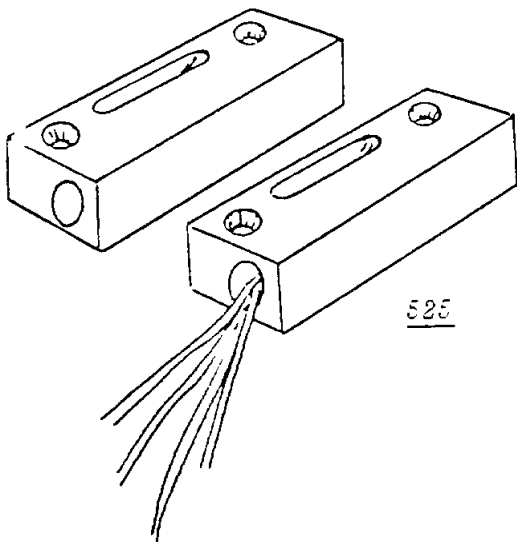
525/555 - Surface mounted reed contact. Designed for the security industry.

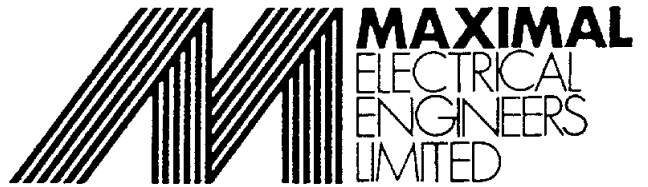
525 Specification.

Operating distance: pull in at 20mm on wood surfaces
Size reed case: 38mm x 14mm x 8mm
Size magnet case: 38mm x 14mm x 8mm
Material: high impact polystyrene
Wire: 7/02 copper P.V.C. 4 wires - 333mm long

555 Specification.

Operating distance: pull in at 20mm on wood surfaces
Size reed case: 38mm x 14mm x 8mm
Size magnet case: 38mm x 14mm x 8mm
Material: Anodised Aluminium
Wire: 7/02 copper P.V.C. 4 wires - 333mm long





REED / MAGNETIC CONTACT SURFACE

A surface mounted reed contact designed for use in the security industry. Available in the following types:

- 1 Reed for N.C. Circuits
- 1 Reed for N.O. Circuits
- 2 Reed for N.C. Circuits
- Change over Reed.

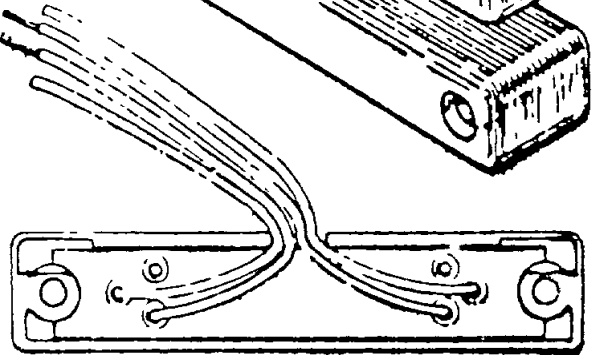
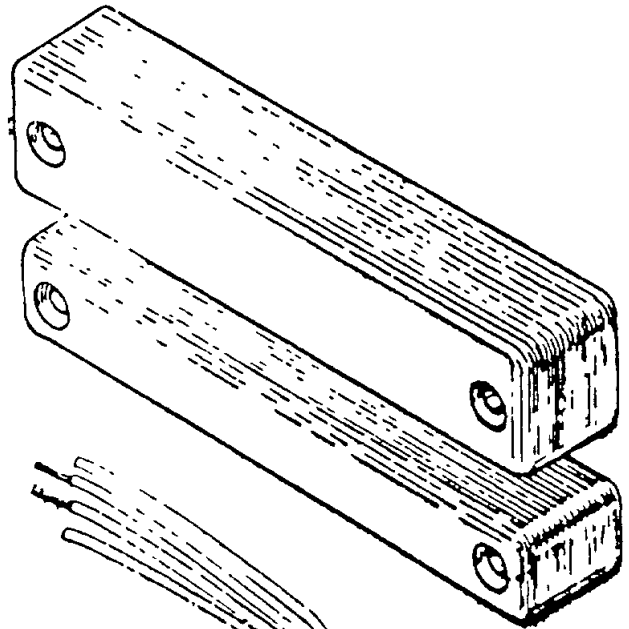
Special combinations of design can be made to order.

STANDARD CONTACTS

Illustrated to the right.....

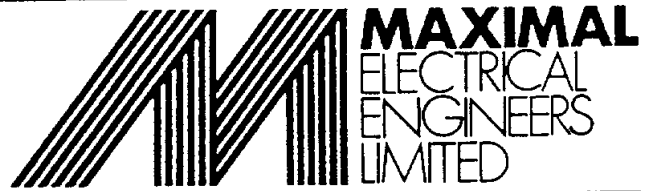
Code number

- 513/W 1 Reed (Normally closed when magnet is within operating distance) 4 Wires 300mm long.
- 517/W As No. 513 but with 5 terminals (2 terminals are used for the reed. The rest are for joining spare wires.)
- 519/W As No.517 but with 2 terminals only.



SPECIFICATION.

Operating Distance	Pull in at 20mm on wood surfaces
Size Reed Case	65 x 13.5 x 13mm
Magnet Case	65 x 10 x 13mm
Material Case	High Impact Polystyrene.
Terminals	6BA x 1/4" Pan head Brass screws.
Wire	7/02 copper/Pvc.
Illustrations	NOT TO SCALE.



503/W CONTACT - 1 REED - RECESSED MOUNTING

Normally closed when Magnet
is within operating distance.

4 Wires - 300mm long.

SPECIFICATION

Operating distance mounted in
Wood 10mm.

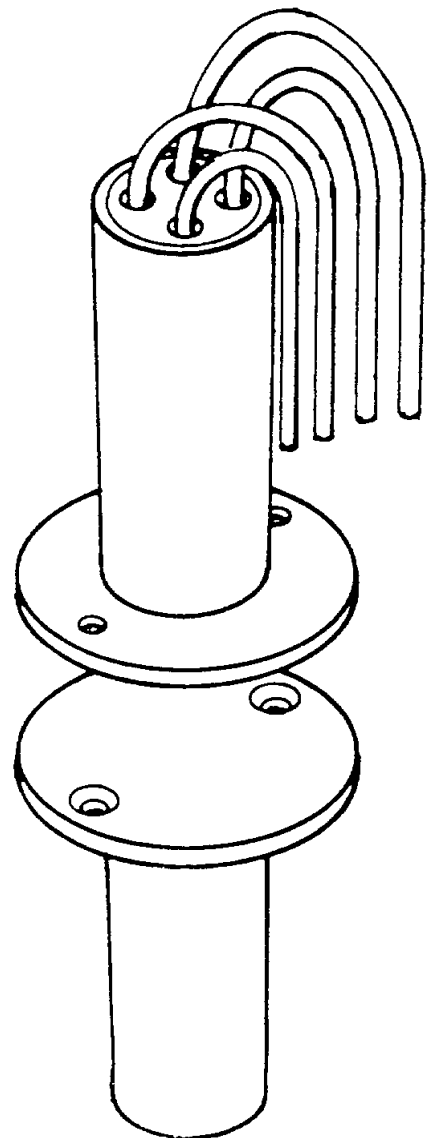
Body Size: 9.5mm dia x 25mm long

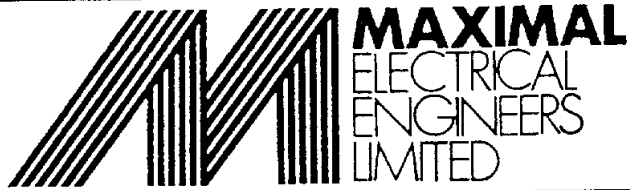
Wire: 7/02 Copper P.V.C.

Material: High Impact Polystyrene

Reed Switch encapsulated
in Silicon Rubber.

Packing: Reed, Magnet and Fixing
Pins packed in plastic
bag then packed in 50's





509/1 - Contact - 1 Reed 6 Terminal - Recessed mounting.

509/2 - Contact - 2 Reed 6 Terminal - Recessed mounting.

OPERATING DISTANCE

25mm minimum Pull in (mounted in wood or Non-Ferrous metal.)

TERMINALS

6 x 6BA x $\frac{1}{4}$ " Brass screws (the reed connecting terminals are nickel plated & have attached washers.)

REED SWITCH

Phodium Contacts.

CONTACT ARRANGEMENT

S.P.S.T. Form A.

POWER HANDLING CAPACITY

5 V4.

CURRENT SWITCHING CAPABILITY

1 micro Amp to 500mA.

VOLTAGE RANGE

1 millivolt to 50v DC.

1 milliohms max. measured at 10mA from 1 volt source.

BREAKDOWN VOLTAGE

250v DC minimum.

MAGNET

FERRITE-

Enclosed in plastic case.

CASE DIMENSIONS

PLATE size 57mm x 32mm x 1mm.

BODY dia. 25mm. Reed depth 13mm.

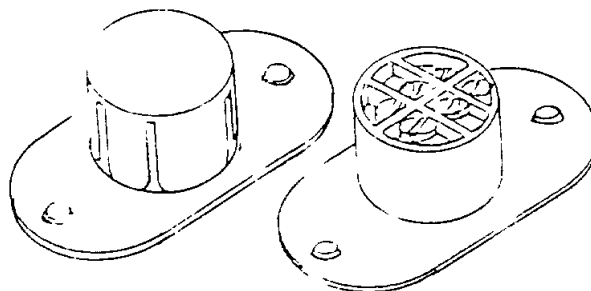
Magnet depth 1mm.

CASE MATERIAL

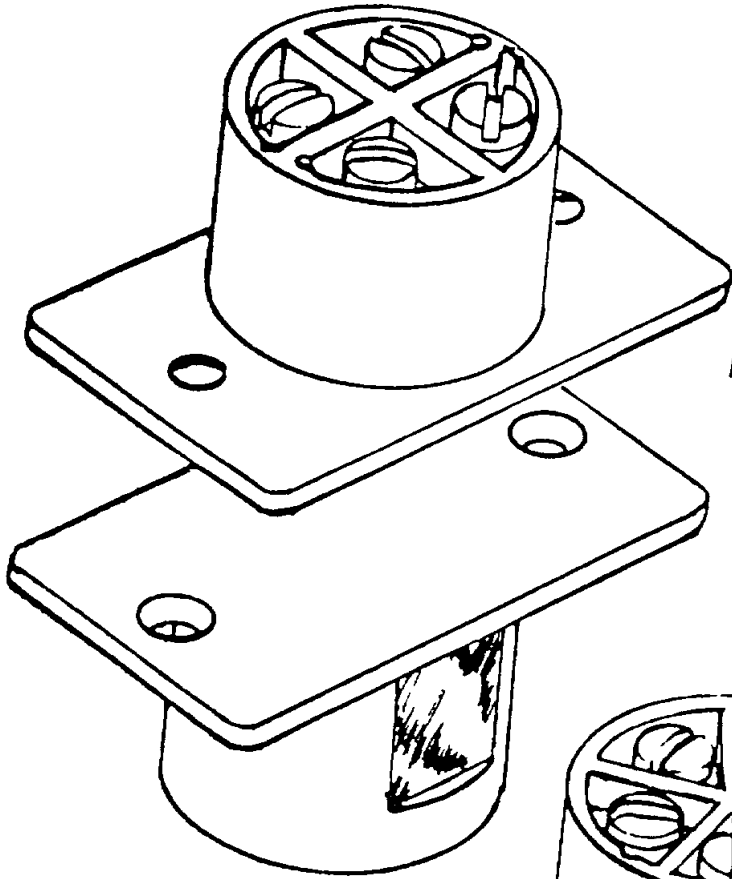
Can be supplied all plastic or with brass front plates nickel plated.

PACKING

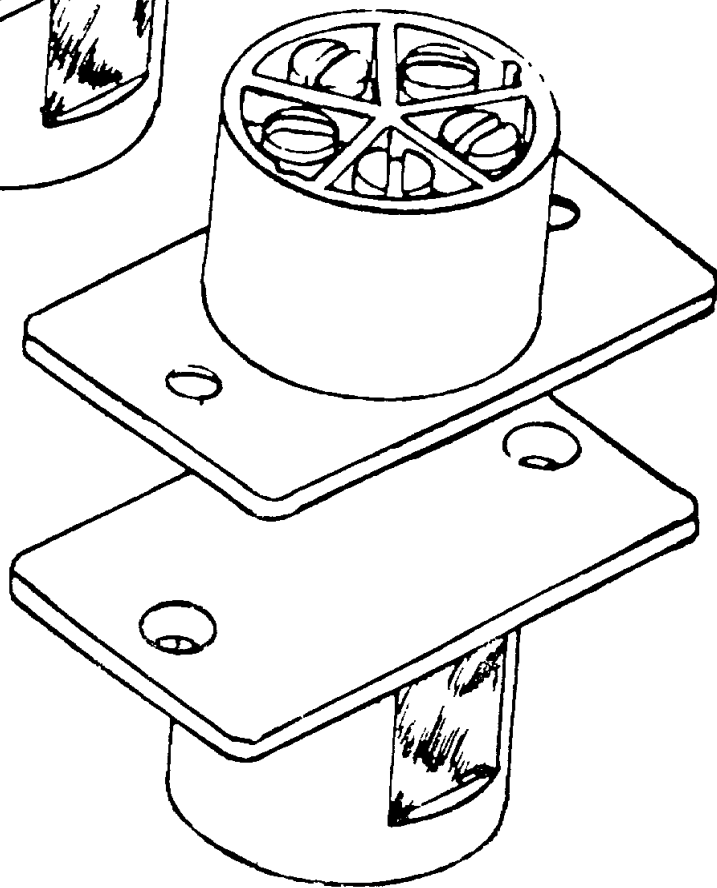
Reed & magnet are packed in small self seal plastic bags.



174/5
AL
5
—
—

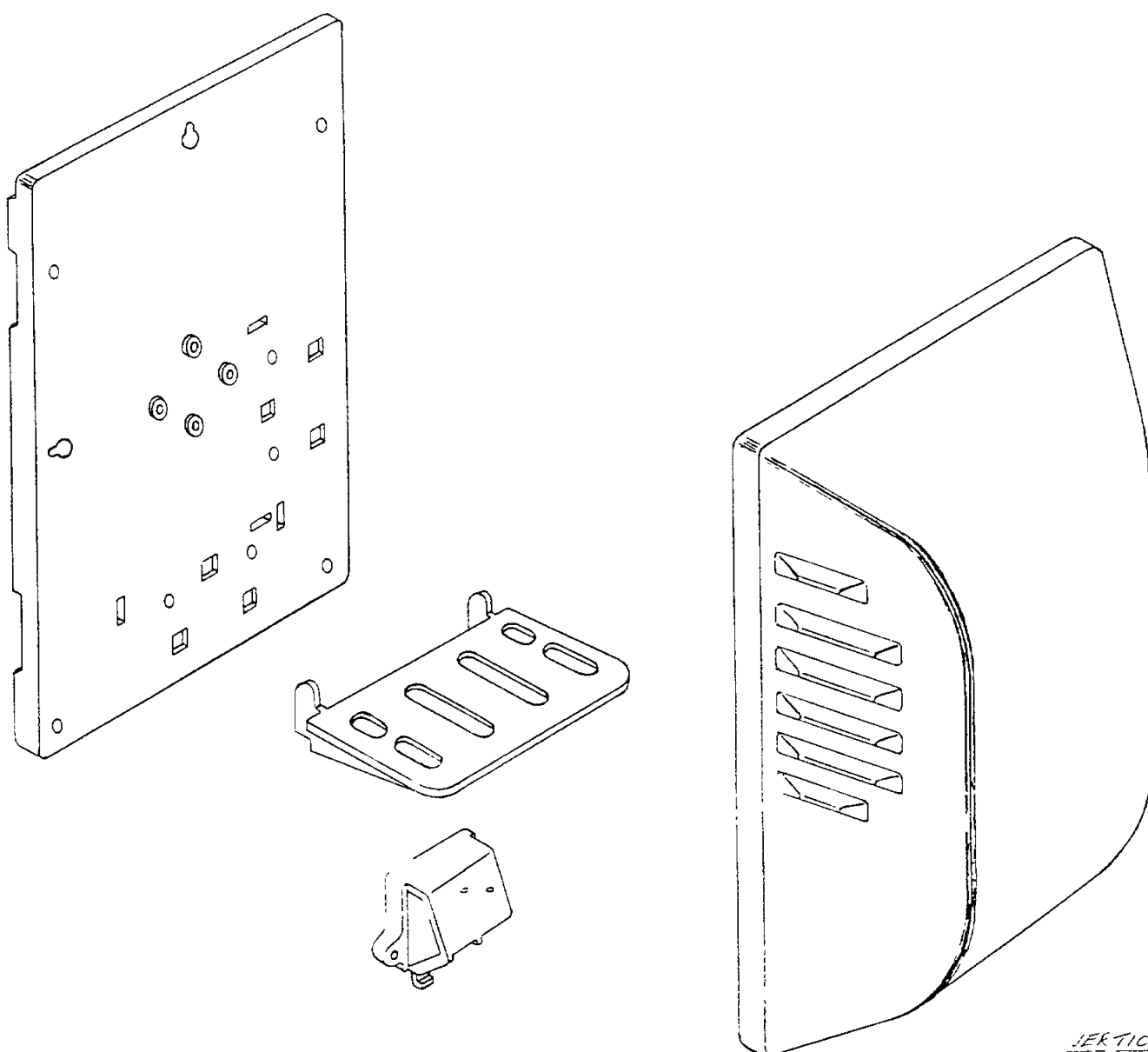
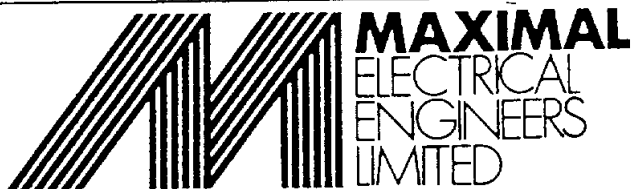


No 508/W
2 Reed 4 Terminal

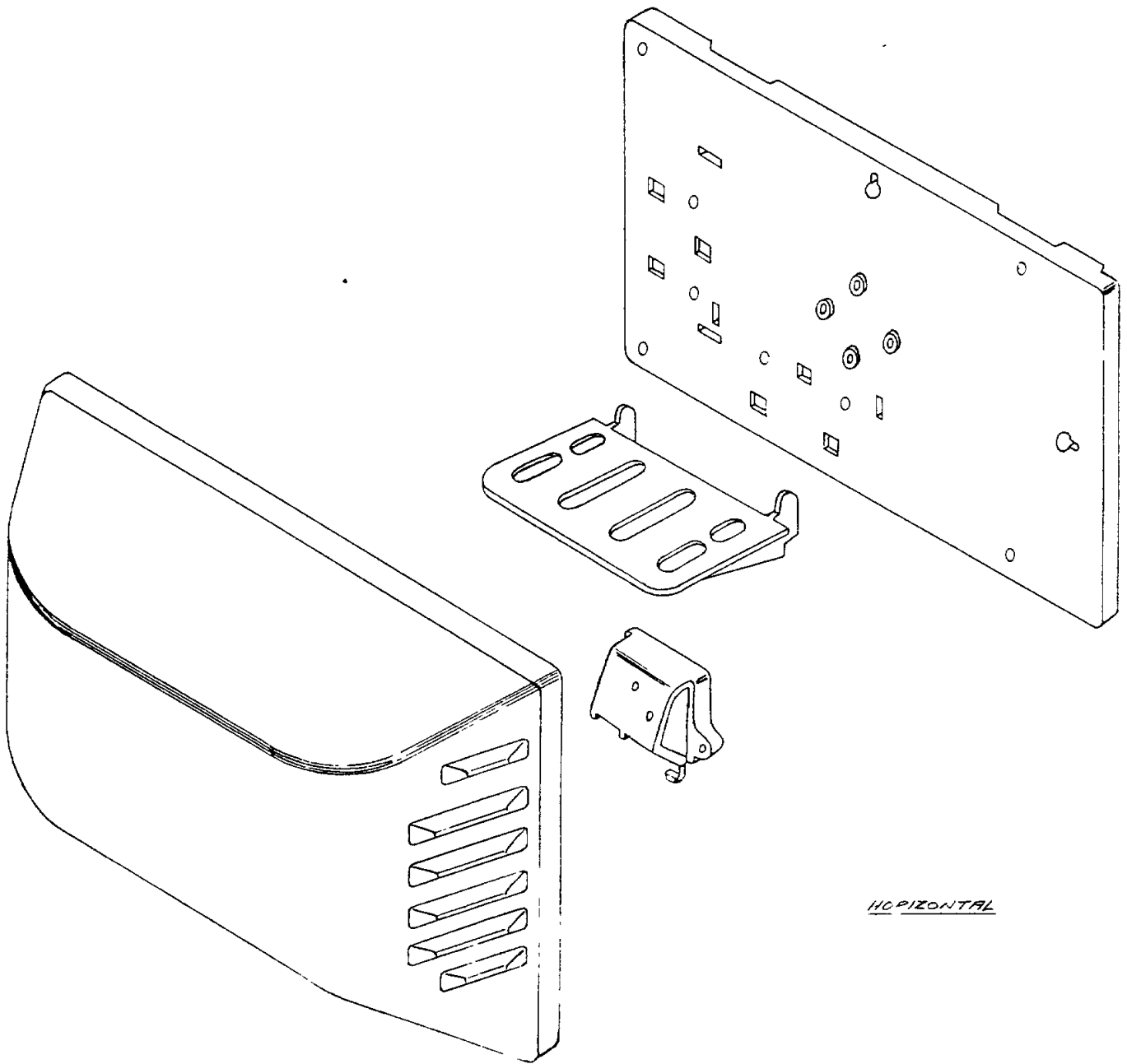
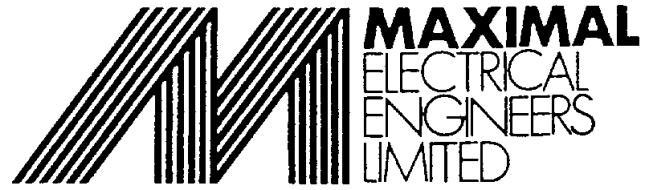


No. 507/W
1 Reed 5 Terminal

LE 2:1



JERTICA



HORIZONTAL



No.605 PERSONAL ATTACK SWITCH.LATCHING

Metal key reset. Stainless steel front cover.

Reed switch type. (For relay and transistor circuits)

SILENT OPERATION. Conforms to British Standard Number "4737 Deliberately operated devices."

ANTI-TAMPER LID As the reed switch activating magnet is located in in the lid of the device.When the lid is removed it will cause an Alarm condition.This reduces the risk of tampering by an un-authorized persons.

FINISH Brushed Stainless Steel front cover, contrasting with black high impact polystyrene insulating inner cover.

RE-SETTING KEY To re-set the device, the key is inserted into the key hole on the front panel.Turn the key 90 degrees in a clockwise direction.This will bring down the push button and show a (Yellow) normal condition in the window to the left of the key hole.Reverse the direction of the key until an inner stop is reached then withdraw the key.

REED SWITCH A reed switch was chosen for this device to give the following advantages.

- (1) To give silent operation
- (2) To give low contact resistance.
- (3) Because the low inertia reed blades

are held together by magnetic attraction, the device will withstand comparatively high shock loads as would be encountered with slamming doors and drawers, accidental knocking etc. Thus reducing the risk of false alarms caused by contact bounce in light pressure switches.

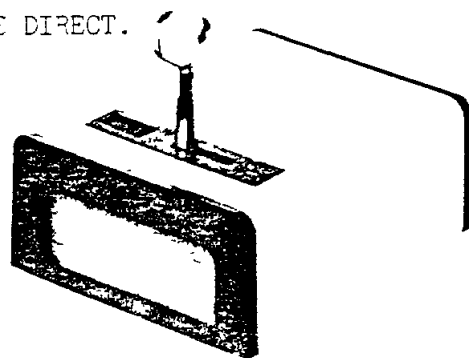
SWITCHING BELLS DIRECT THE REED SWITCH IS NOT SUITABLE FOR SWITCHING BELLS DIRECT.However Model No.614 in addition to the reed switch incorporates an additional separate leaf spring contact (Normally open) This is suitable for switching Bells and/or Sirens direct.

No.605 NOT SUITABLE FOR SWITCHING BELLS OR SIRENS DIRECT.

This device is set for closed circuit systems.

Power 5VA. 1mV - 50v.

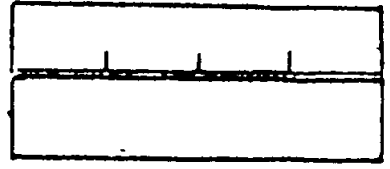
1 micro amp - 500mA non inductive.



74/10/06.58/03

MAXIMAL

(ELECTRICAL ENGINEERS) LIMITED.



101792

507/W - Contact - 1 Reed 5 Terminal - Recessed mounting.

Operating distance	12mm minimum Pull in (Mounted in wood or Non-Ferrous metal)
Terminals	5 x 6BA x 1/4" Pan head screws (The reed connecting terminals are nickel plated for identification).

REED SWITCH

Miniature Reed .625" glass length Non-stick contacts. Reed of U.K. manufacture.

Contact arrangement	S.P.S.T. Form A
Power handling capacity	5 VA
Current switching capability	1 micro Amp to 500mA
Voltage Range	1 millivolt to 50v DC 1 millivolt to 50v AC
Contact resistance	100 milliohms max measured at 10mA from 1 volt source
Breakdown Voltage	250v DC minimum

MAGNET

FERRITE-ANISOTROPIC
 Enclosed in plastic case to match the 507 Reed case.
 PLATE size 35mm x 22mm x 1.25mm thick
 Body size ϕ 19mm x 15mm deep.

Case dimensions

CASE MATERIAL
SCREW size

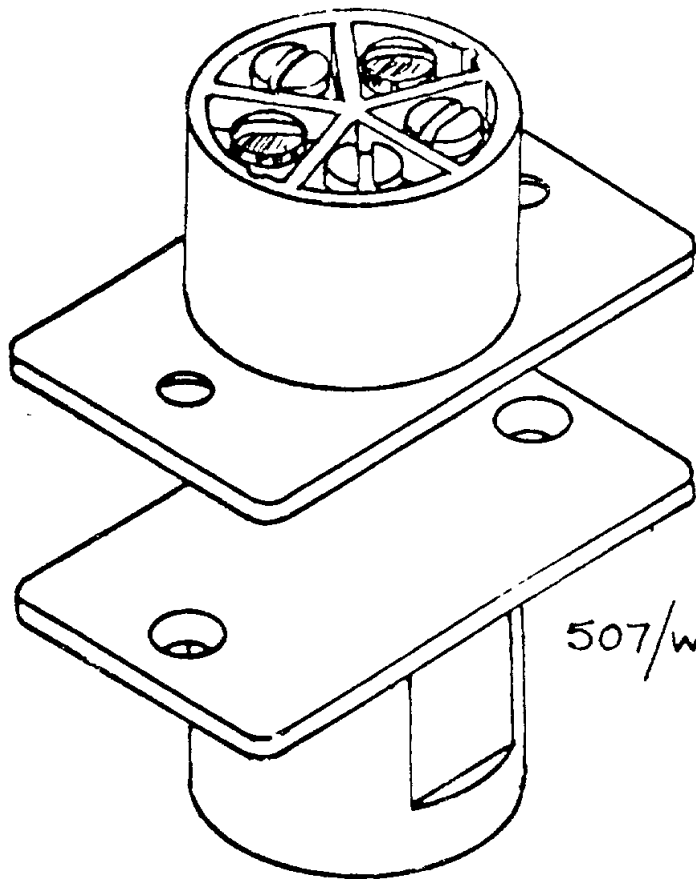
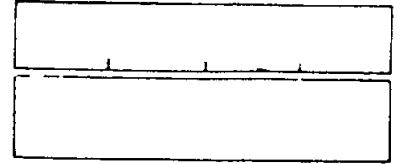
PACKING

TESTING

White - High impact Polystyrene
 Screws supplied 4-No.3 x 1/2" csk wood screw, steel nickel plated.
 Reed, Magnet and screws are packed in small self sea plastic bag.
 Then packed in 25's.
 All tested to operate at 12mm minimum, before packing.

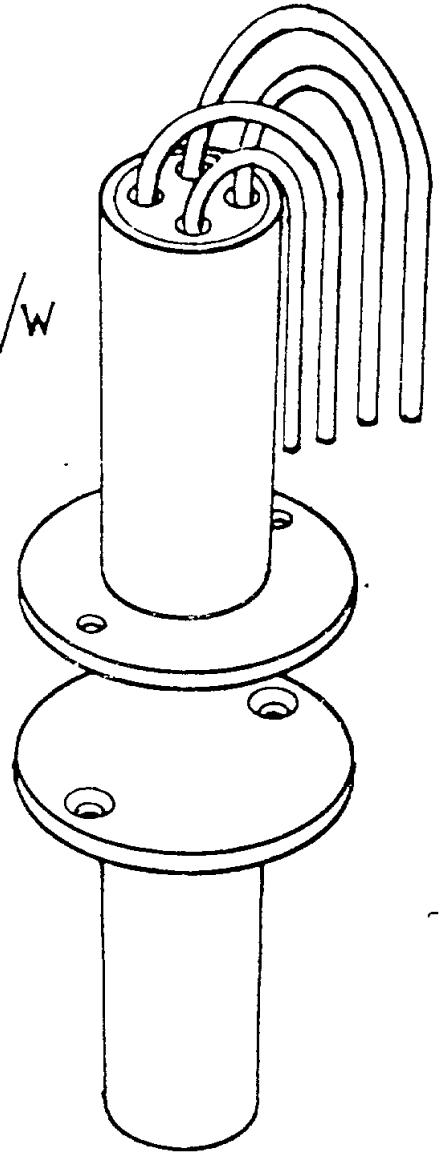
MAXIMAL

(ELECTRICAL ENGINEERS) LIMITED.



507/W

503/W



TWICE FULL SIZE.



507/W - Contact - 1 Reed 5 Terminal - Recessed mounting.

508/W - Contact - 2 Reed 4 Terminal - Recessed mounting.

OPERATING DISTANCE

12mm minimum Pull in (mounted in wood or Non-Ferrous metal.)

TERMINALS

5 x 6BA x $\frac{1}{4}$ " Pan head screws (the reed connecting terminals are nickel plated for identification.)

REED SWITCH

Miniature Reed .625" glass length Non-stick contact. Reed of U.K. manufacture.

CONTACT ARRANGEMENT

S.P.S.T. Form A.

POWER HANDLING CAPACITY

5 VA.

CURRENT SWITCHING CAPABILITY

1 micro Amp to 500 mA.

VOLTAGE RANGE

1 millivolt to 50v DC.
1 milliohms max. measured at 10mA from 1 volt source.

BREAKDOWN VOLTAGE

250v DC minimum.

MAGNET

FERRITE-
Enclosed in plastic case to match the 507 Reed case.

CASE DIMENSIONS

PLATE size 35mm x 22mm x 1.25mm thick.
BODY size 19mm x 15mm deep.

CASE MATERIAL

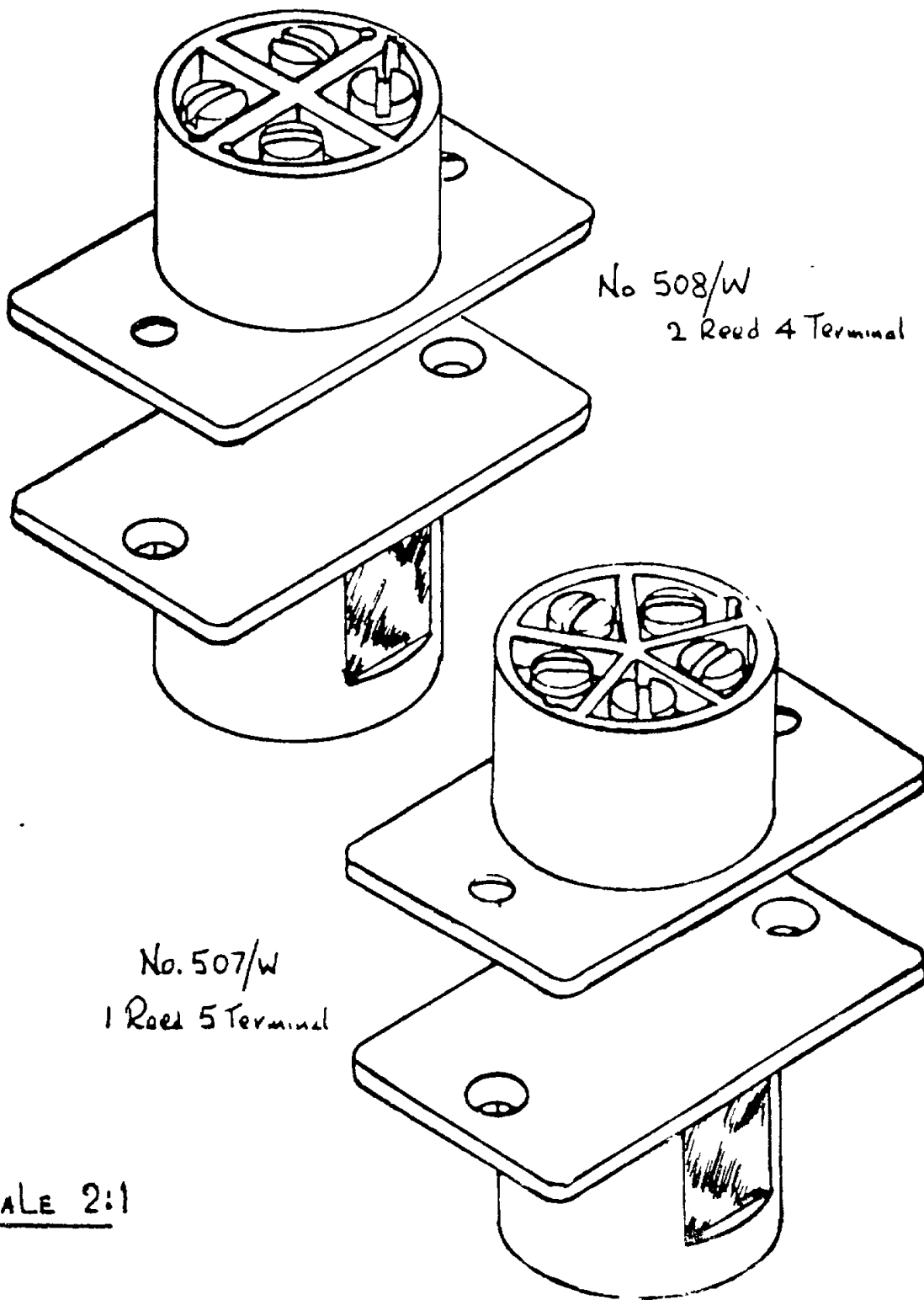
White-High impact polystyrene

SCREW size

Screws supplied 4-10.3 x $\frac{1}{4}$ " csk wood screw, brass nickel plated.

PACKING

Reed, magnet and screws are packed in small self seal plastic bags. They are packed in 25's.



No 508/W
2 Reed 4 Terminal

No. 507/W
1 Reed 5 Terminal

SCALE 2:1

503/W CONTACT - 1 REED - RECESSED MOUNTING

Normally closed when Magnet
is within operating distance.

4 Wires - 300mm long.

SPECIFICATION

Operating distance mounted in
Wood 10mm.

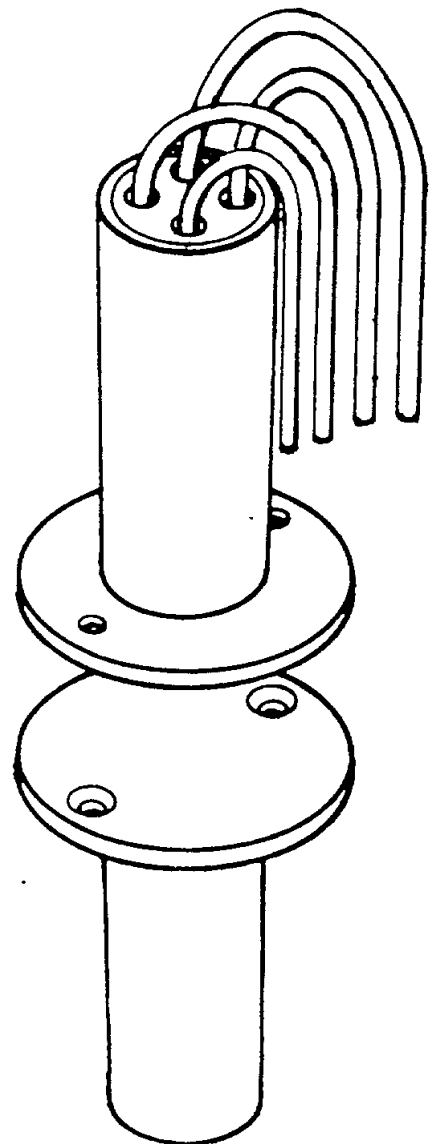
Body Size: 9.5mm dia x 25mm long

Wire: 7/02 Copper P.V.C.

Material: High Impact Polystyrene

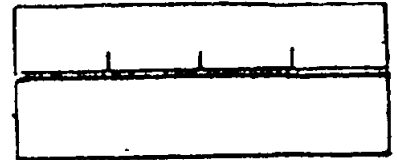
Reed Switch encapsulated
in Silicon Rubber.

Packing: Reed, Magnet and Fixing
Pins packed in plastic
bag then packed in 50's



MAXIMAL

(ELECTRICAL ENGINEERS) LIMITED.



101792

507/W - Contact - 1 Reed 5 Terminal - Recessed mounting.

Operating distance	12mm minimum Pull in (Mounted in wood or Non-Ferrous metal)
Terminals	5 x 6BA x 1/4" Pan head screws (The reed connecting terminals are nickel plated for identification).

REED SWITCH

Miniature Reed .625" glass length Non-stick contacts. Reed of U.K. manufacture.

Contact arrangement	S.P.S.T. Form A
Power handling capacity	5 VA
Current switching capability	1 micro Amp to 500mA
Voltage Range	1 millivolt to 50v DC 1 millivolt to 50v AC
Contact resistance	100 milliohms max measured at 10mA from 1 volt source
Breakdown Voltage	250v DC minimum

MAGNET

FERRITE-ANISOTROPIC
Enclosed in plastic case to match the 507 Reed case.

Case dimensions

PLATE size 35mm x 22mm x 1.25mm thick
Body size ϕ 19mm x 15mm deep.

CASE MATERIAL
SCREW size

White - High impact Polystyrene
Screws supplied 4-No.3 x 1/2" case wood screw, steel nickel plated.
Reed, Magnet and screws are packed in small self sea plastic bag.
Then packed in 25's.

PACKING

TESTING

All tested to operate at 12mm minimum, before packing.