

Features

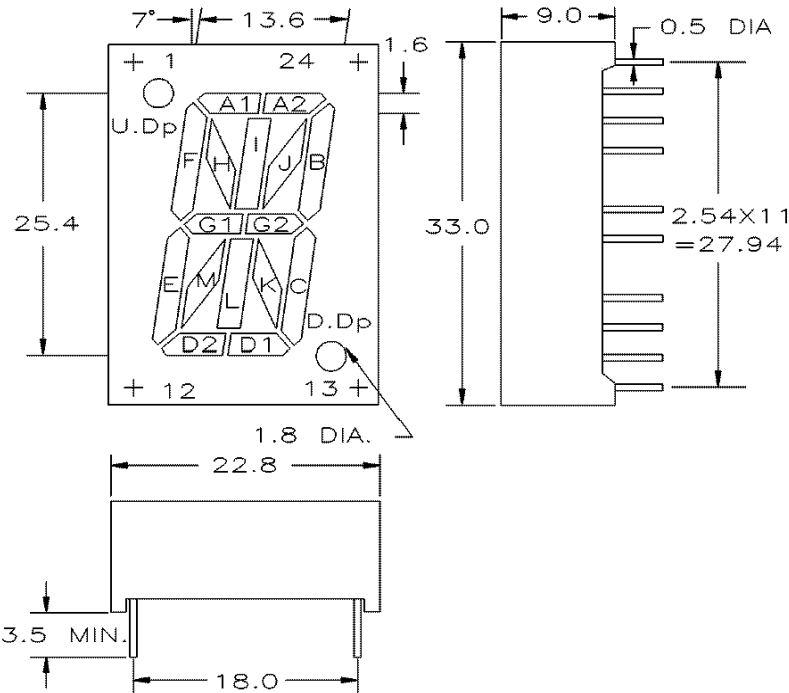
Additional Colors/Materials Available
 Excellent Character Appearance
 High Light Output
 IC Compatible
 Low Current Requirements
 Other Face/Epoxy Colors Available
 Right Hand Upper Left Hand Decimal

Notes

All Dimensions are in millimeters.
 Tolerance is $\pm 0.25\text{mm}$ unless otherwise stated.
 The slope angle of any pin may be $\pm 5.0^\circ$ MAX.
 Operating Temperature: $-25 \sim +85$
 Storage Temperature: $-25 \sim +100$
 Specifications are subject to change without notice.

Part Number	PWL λ_p	Material	Emitted Color	Face Colors		Maximum Ratings			Optical and Electrical Characteristics								Pin Out
				Epoxy Color	Surface Color	IF	VR	PD	Forward Voltage VF				Reverse Current IR		Luminous Intensity IV		
									typ. seg	IF@	typ. dec	IF@	max.	VR@	typ. seg	IF@	
MTAN2125-AG	567	GaP	YG	White	Grey	30	5.00	85.00	4.20	20mA	2.10	20mA	100	5V	10.40	20mA	1
MTAN2125-CG	567	GaP	YG	White	Grey	30	5.00	85.00	4.20	20mA	2.10	20mA	100	5V	10.40	20mA	2
MTAN4125-AHR	635	GaAsP	HR	Red	Red	30	5.00	85.00	4.20	20mA	2.10	20mA	100	5V	11.70	20mA	1
MTAN4125-AO	635	GaAsP	HR	White	Grey	30	5.00	85.00	4.20	20mA	2.10	20mA	100	5V	11.70	20mA	1
MTAN4125-CHR	635	GaAsP	HR	Red	Red	30	5.00	85.00	4.20	20mA	2.10	20mA	100	5V	11.70	20mA	2
MTAN4125-CO	635	GaAsP	HR	White	Grey	30	5.00	85.00	4.20	20mA	2.10	20mA	100	5V	11.70	20mA	2
MTAN7125M-21A	660	GaAlAs	SBUR	White	Grey	30	4.00	70.00	3.40	20mA	1.70	20mA	100	4V	45.60	20mA	1
MTAN7125M-21C	660	GaAlAs	UR	White	Grey	30	4.00	70.00	3.40	20mA	1.70	20mA	100	4V	45.60	20mA	2
Units	nm	-	-	-	-	mA	V	mW	V	-	V	-	μA	-	mcd	-	-

Package Dimensions and Pin Functions



PINOUT 1

COMMON ANODE

PIN NO. FUNCTION

1. CATHODE U.DP
2. CATHODE A1
3. CATHODE H
4. CATHODE F
5. NO PIN
6. COMMON ANODE
7. CATHODE G1
8. NO PIN
9. CATHODE E
10. CATHODE D2
11. CATHODE M
12. ANODE L
13. CATHODE D.DP
14. CATHODE D1
15. CATHODE K
16. CATHODE C
17. NO PIN
18. COMMON ANODE
19. CATHODE G2
20. NO PIN
21. CATHODE B
22. CATHODE A2
23. CATHODE J
24. CATHODE I

PINOUT 2

COMMON CATHODE

PIN NO. FUNCTION

1. ANODE U.DP
2. ANODE A1
3. ANODE H
4. ANODE F
5. NO PIN
6. COMMON CATHODE
7. ANODE G1
8. NO PIN
9. ANODE E
10. ANODE D2
11. ANODE M
12. ANODE L
13. ANODE D.DP
14. ANODE D1
15. ANODE K
16. ANODE C
17. NO PIN
18. COMMON CATHODE
19. ANODE G2
20. NO PIN
21. ANODE B
22. ANODE A2
23. ANODE J
24. ANODE I