

ASSP

Single Serial Input PLL Frequency Synthesizer On-chip 3.0 GHz Prescaler

MB15E06SR

■ DESCRIPTION

The Fujitsu MB15E06SR is a serial input Phase Locked Loop (PLL) frequency synthesizer with a 3.0 GHz prescaler. The 3.0 GHz prescaler has a dual modulus division ratio of 64/65 or 128/129 enabling pulse swallowing operation.

The supply voltage range is between 2.7 V and 4.0 V. A refined charge pump supplies well-balanced output currents of 4.0 mA.

The phase noise of MB15E06SR was drastically improved comparing with the former single PLL, MB15E06. The data format of serial data and the pin assignments except for ϕP and ϕR pins are same as the former one, so it is easy to replace the former one.

MB15E06SR is ideally suited for the high frequency wireless system such as ETC (Electronic Toll Collection System).

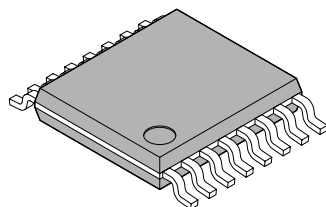
■ FEATURES

- High frequency operation: 3.0 GHz Max
- Low power supply voltage: $V_{CC} = 2.7 \text{ V to } 4.0 \text{ V}$
- Ultra Low power supply current: $I_{CC} = 8.0 \text{ mA Typ}$ ($V_{CC} = V_P = 3.0 \text{ V}$, $T_a = +25^\circ\text{C}$, in locking state)
- Direct power saving function: Power supply current in power saving mode
Typ $0.1 \mu\text{A}$ ($V_{CC} = V_P = 3.0 \text{ V}$, $T_a = +25^\circ\text{C}$)

(Continued)

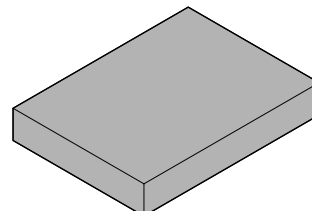
■ PACKAGES

16-pin plastic TSSOP



(FPT-16P-M07)

16-pad plastic BCC



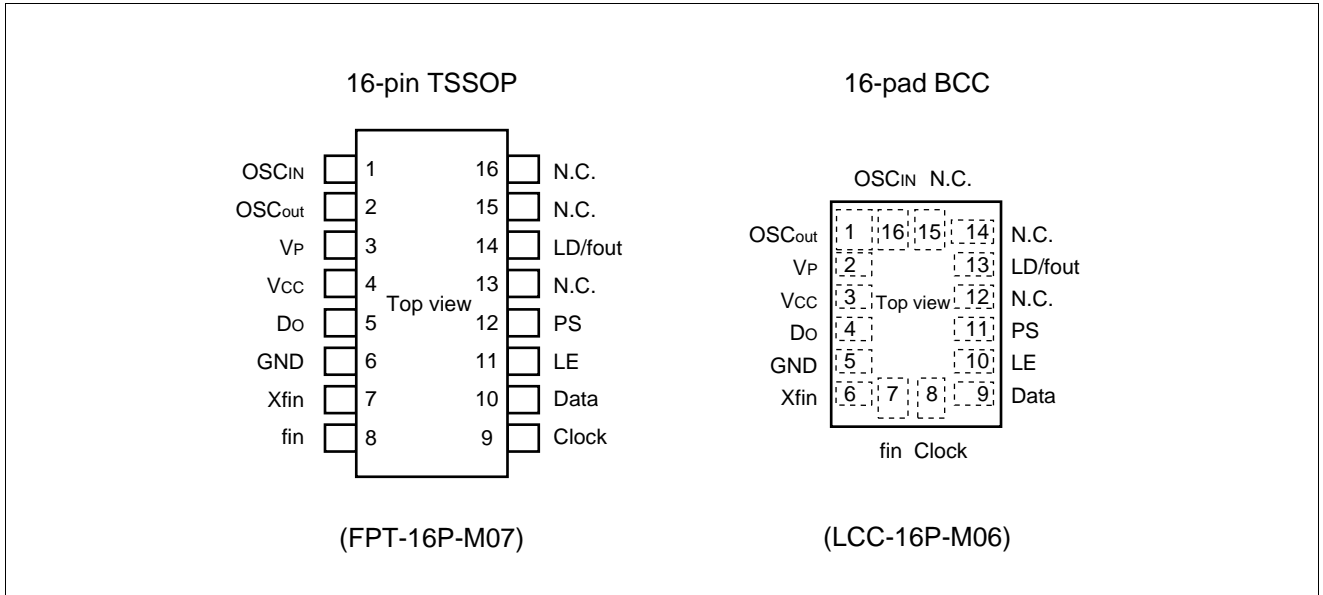
(LCC-16P-M06)

MB15E06SR

(Continued)

- Dual modulus prescaler: 64/65 or 128/129
- Serial input 14-bit programmable reference divider: R = 3 to 16,383
- Serial input programmable divider consisting of:
 - Binary 7-bit swallow counter: 0 to 127
 - Binary 11-bit programmable counter: 3 to 2,047
- Software selectable charge pump current
- On-chip phase control for phase comparator
- Built-in digital locking detector circuit to detect PLL locking and unlocking.
- Operating temperature: Ta = -40 °C to +85 °C

■ PIN ASSIGNMENTS

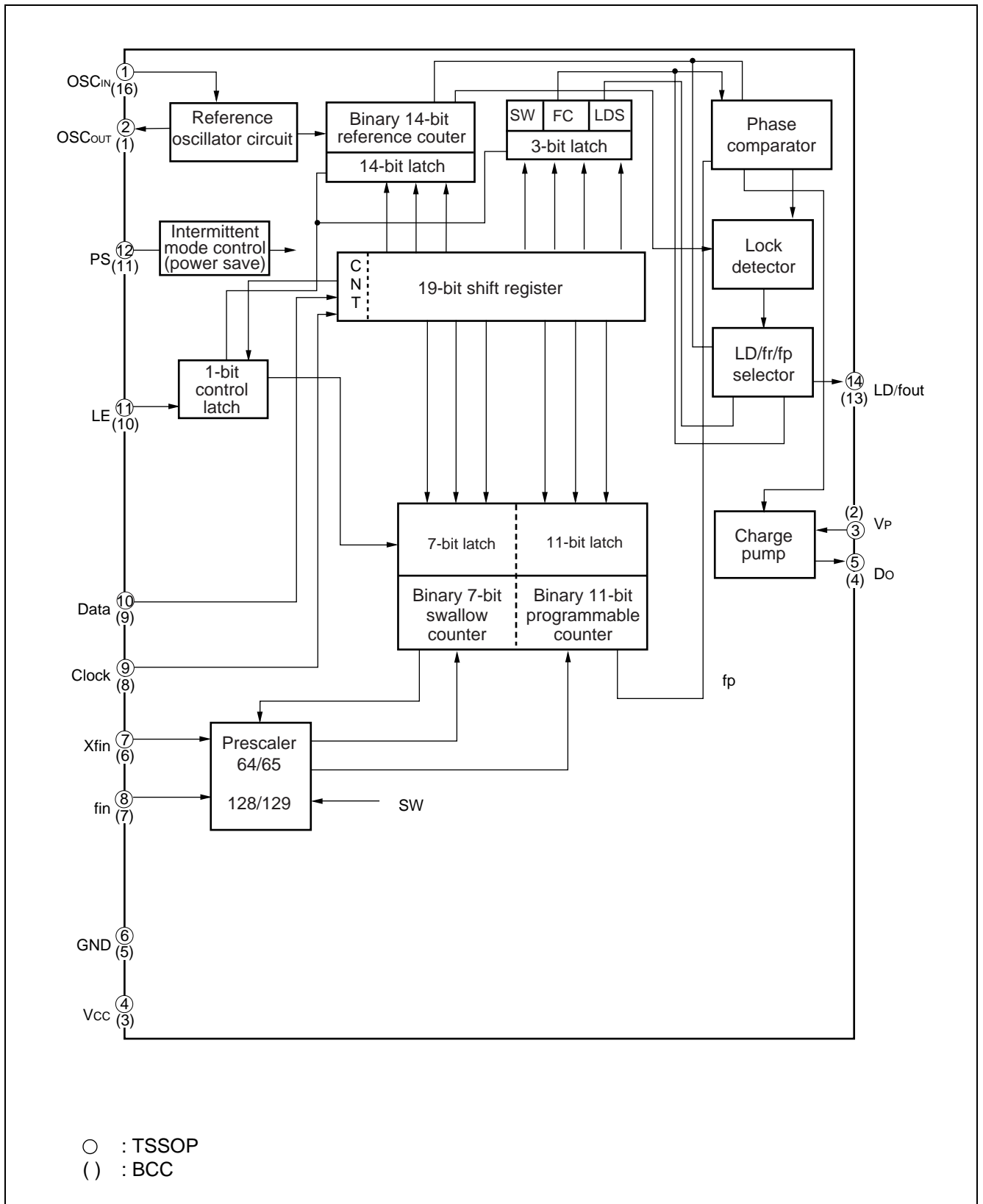


■ PIN DESCRIPTIONS

Pin no.		Pin name	I/O	Descriptions
TSSOP	BCC			
1	16	OSC _{IN}	I	Programmable reference divider input. Connection to a TCXO.
2	1	OSC _{OUT}	O	Oscillator output.
3	2	V _P	–	Power supply voltage input for the charge pump.
4	3	V _{CC}	–	Power supply voltage input.
5	4	D ₀	O	Charge pump output. Phase of the charge pump can be selected via programming of the FC bit.
6	5	GND	–	Ground.
7	6	Xfin	I	Prescaler complementary input, which should be grounded via a capacitor.
8	7	fin	I	Prescaler input. Connection to an external VCO should be done via AC coupling.
9	8	Clock	I	Clock input for the 19-bit shift register. Data is shifted into the shift register on the rising edge of the clock. (Open is prohibited.)
10	9	Data	I	Serial data input using binary code. The last bit of the data is a control bit. (Open is prohibited.)
11	10	LE	I	Load enable signal input. (Open is prohibited.) When LE is set high, the data in the shift register is transferred to a latch according to the control bit in the serial data.
12	11	PS	I	Power saving mode control. This pin must be set at “L” at Power-ON. (Open is prohibited.) PS = “H”; Normal mode PS = “L”; Power saving mode
13	12	N.C.	–	No connection.
14	13	LD/fout	O	Lock detect signal output (LD)/phase comparator monitoring output (fout). The output signal is selected via programming of the LDS bit. LDS = “H”; outputs fout (fr/fp monitoring output) LDS = “L”; outputs LD (“H” at locking, “L” at unlocking.)
15	14	N.C.	–	No connection.
16	15	N.C.	–	No connection.

MB15E06SR

■ BLOCK DIAGRAM



■ ABSOLUTE MAXIMUM RATINGS

Parameter	Symbol	Condition	Rating		Unit	Remark
			Min	Max		
Power supply voltage	V _{CC}	–	–0.5	5.0	V	
	V _P	–	V _{CC}	6.0	V	
Input voltage	V _I	–	–0.5	V _{CC} +0.5	V	
Output voltage	V _O	Except Do	GND	V _{CC}	V	
	V _O	Do	GND	V _P	V	
Storage temperature	T _{stg}	–	–55	+125	°C	

WARNING: Semiconductor devices can be permanently damaged by application of stress (voltage, current, temperature, etc.) in excess of absolute maximum ratings. Do not exceed these ratings.

■ RECOMMENDED OPERATING CONDITIONS

Parameter	Symbol	Value			Unit	Remark
		Min	Typ	Max		
Power supply voltage	V _{CC}	2.7	3.0	4.0	V	
	V _P	V _{CC}	–	5.5	V	
Input voltage	V _I	GND	–	V _{CC}	V	
Operating temperature	T _a	–40	–	+85	°C	

WARNING: The recommended operating conditions are required in order to ensure the normal operation of the semiconductor device. All of the device's electrical characteristics are warranted when the device is operated within these ranges.

Always use semiconductor devices within their recommended operating condition ranges. Operation outside these ranges may adversely affect reliability and could result in device failure.

No warranty is made with respect to uses, operating conditions, or combinations not represented on the data sheet. Users considering application outside the listed conditions are advised to contact their FUJITSU representatives beforehand.

MB15E06SR

■ ELECTRICAL CHARACTERISTICS

($V_{CC} = 2.7\text{ V to }4.0\text{ V}$, $T_a = -40\text{ }^\circ\text{C to }+85\text{ }^\circ\text{C}$)

Parameter	Symbol	Condition	Value			Unit	
			Min	Typ	Max		
Power supply current*1	I_{CC}	$f_{IN} = 3000\text{ MHz}$, $V_{CC} = V_P = 3.0\text{ V}$	6.0	8.0	11.5	mA	
Power saving current	I_{PS}	PS = "L"	–	0.1*2	20	μA	
Operating frequency	f_{IN}	–	700	–	3000	MHz	
	OSC _{IN}	fosc	3	–	40	MHz	
Input sensitivity	f_{IN}^{*3}	Pfin 50 Ω system (Refer to the measurement circuit.)	–10	–	+2	dBm	
	OSC _{IN} *3	Vosc	0.5	–	V_{CC}	Vp-p	
"H" level input voltage	Data, Clock, LE, PS	V_{IH}	–	$V_{CC} \times 0.7$	–	V	
"L" level input voltage		V_{IL}	–	–	$V_{CC} \times 0.3$		
"H" level input current	Data, Clock, LE, PS	I_{IH}^{*4}	–	–1.0	+1.0	μA	
"L" level input current		I_{IL}^{*4}	–	–1.0	+1.0		
"H" level input current	OSC _{IN}	I_{IH}	–	0	+100	μA	
"L" level input current		I_{IL}^{*4}	–	–100	0		
"H" level output voltage	LD/fout	V_{OH}	$V_{CC} = V_P = 3.0\text{ V}$, $I_{OH} = -1\text{ mA}$	$V_{CC} - 0.4$	–	V	
"L" level output voltage		V_{OL}	$V_{CC} = V_P = 3.0\text{ V}$, $I_{OL} = 1\text{ mA}$	–	–		0.4
"H" level output voltage	Do	V_{DOH}	$V_{CC} = V_P = 3.0\text{ V}$, $I_{DOH} = -0.5\text{ mA}$	$V_P - 0.4$	–	V	
"L" level output voltage		V_{DOL}	$V_{CC} = V_P = 3.0\text{ V}$, $I_{DOL} = 0.5\text{ mA}$	–	–		0.4
High impedance cutoff current	Do	I_{OFF}	$V_{CC} = V_P = 3.0\text{ V}$, $V_{OFF} = 0.5\text{ V to }V_P - 0.5\text{ V}$	–	–	2.5	nA
"H" level output current	LD/fout	I_{OH}	$V_{CC} = V_P = 3.0\text{ V}$	–	–	–1.0	mA
"L" level output current		I_{OL}	$V_{CC} = V_P = 3.0\text{ V}$	1.0	–	–	
"H" level output current	Do	I_{DOH}^{*4}	$V_{CC} = V_P = 3.0\text{ V}$, $V_{DO} = V_P/2$, $T_a = +25^\circ\text{C}$	–5.2	–4.0	–2.8	mA
"L" level output current		I_{DOL}		2.8	4.0	5.2	
Charge pump current rate	I_{DOL}/I_{DOH}	I_{DOMT}^{*5}	$V_{DO} = V_P/2$	–	5	–	%
	vs V_{DO}	I_{DOVD}^{*6}	$0.5\text{ V} \leq V_{DO} \leq V_P - 0.7\text{ V}$	–	10	–	%
	vs T_a	I_{DOTA}^{*7}	$-40^\circ\text{C} \leq T_a \leq +85^\circ\text{C}$, $V_{DO} = V_P/2$	–	5	–	%

*1: Conditions; fosc = 13 MHz, Vosc = 1.2 V_{PR}, T_a = +25°C, in locking state.

*2: V_{CC} = V_P = 3.0 V, fosc = 13 MHz, Vosc = 1.2 V_{PR}, T_a = +25°C, in power saving mode

*3: AC coupling. 1000 pF capacitor is connected under the condition of min. operating frequency.

*4: The symbol "–" (minus) means direction of current flow.

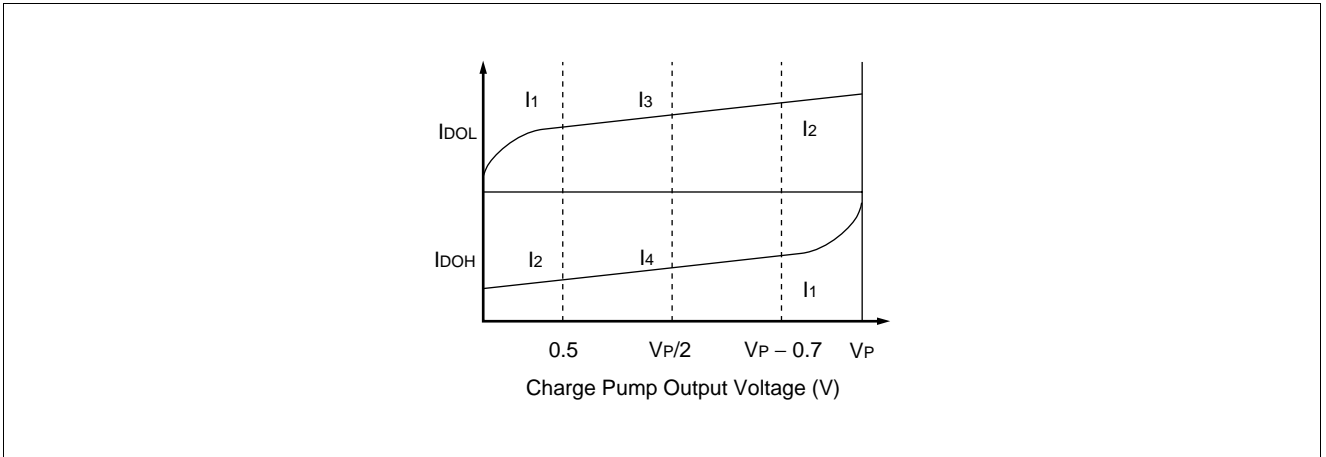
*5: V_{CC} = V_P = 3.0 V, T_a = +25°C ($(|I_3| - |I_4|) / [(|I_3| + |I_4|) / 2] \times 100(\%)$)

*6: V_{CC} = V_P = 3.0 V, T_a = +25°C ($(|I_2| - |I_1|) / 2 / [(|I_1| + |I_2|) / 2] \times 100(\%)$) (Applied to each I_{DOL}, I_{DOH})

(Continued)

(Continued)

*7: $V_{CC} = V_P = 3.0\text{ V}$, $V_{DO} = V_P/2$ ($(|I_{DO(+85^\circ\text{C})}| - |I_{DO(-40^\circ\text{C})}|) / 2) / (|I_{DO(+85^\circ\text{C}}| + |I_{DO(-40^\circ\text{C}}|) / 2) \times 100(\%)$
 (Applied to each I_{DOL} , I_{DOH})



MB15E06SR

■ FUNCTIONAL DESCRIPTION

1. Pulse Swallow Function

The divide ratio can be calculated using the following equation:

$$f_{VCO} = [(P \times N) + A] \times f_{osc} \div R \quad (A < N)$$

- f_{VCO} : Output frequency of external voltage controlled oscillator (VCO)
- N : Preset divide ratio of binary 11-bit programmable counter (3 to 2,047)
- A : Preset divide ratio of binary 7-bit swallow counter ($0 \leq A \leq 127$)
- f_{osc} : Output frequency of the reference frequency oscillator
- R : Preset divide ratio of binary 14-bit programmable reference counter (3 to 16,383)
- P : Preset divide ratio of modulus prescaler (64 or 128)

2. Serial Data Input

Serial data is processed using the Data, Clock, and LE pins. Serial data controls the programmable reference divider and the programmable divider separately.

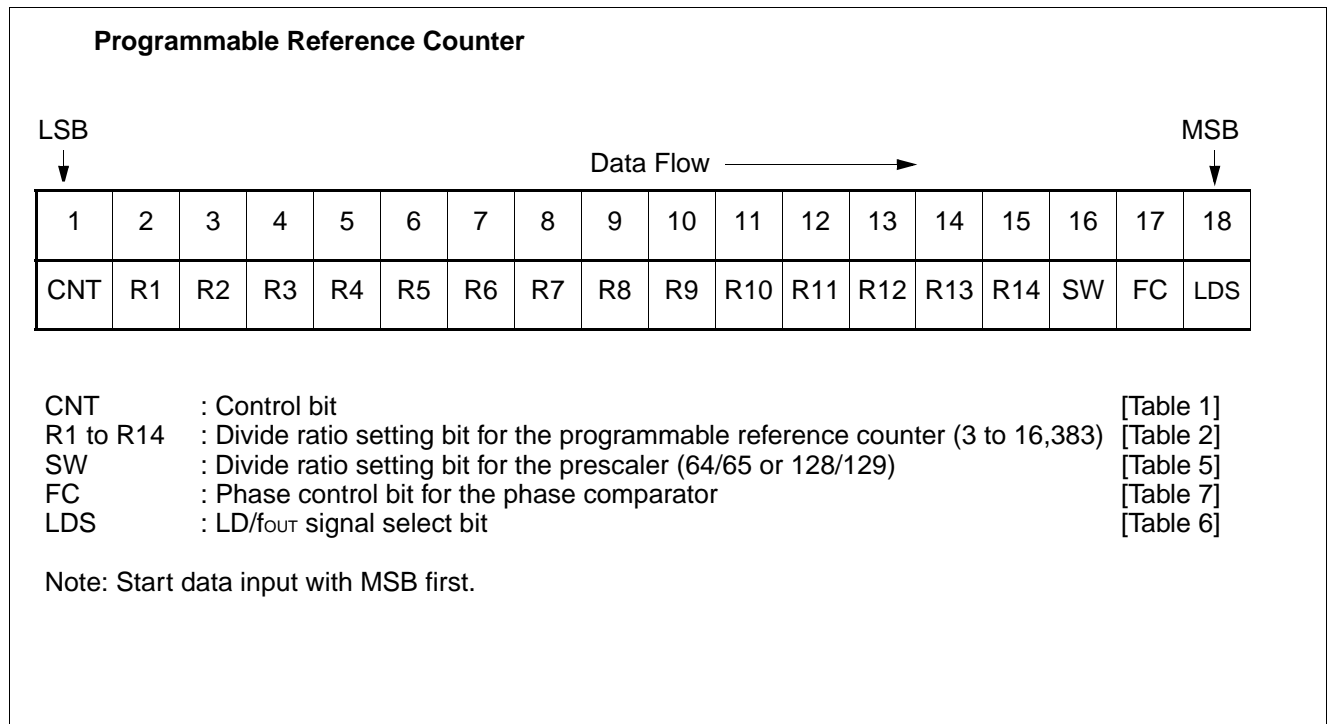
Binary serial data is entered through the Data pin.

One bit of data is shifted into the shift register on the rising edge of the Clock. When the LE signal pin is taken high, stored data is latched according to the control bit data as follows:

Table 1. Control Bit

Control bit (CNT)	Destination of serial data
H	For the programmable reference divider
L	For the programmable divider

(1) Shift Register Configuration



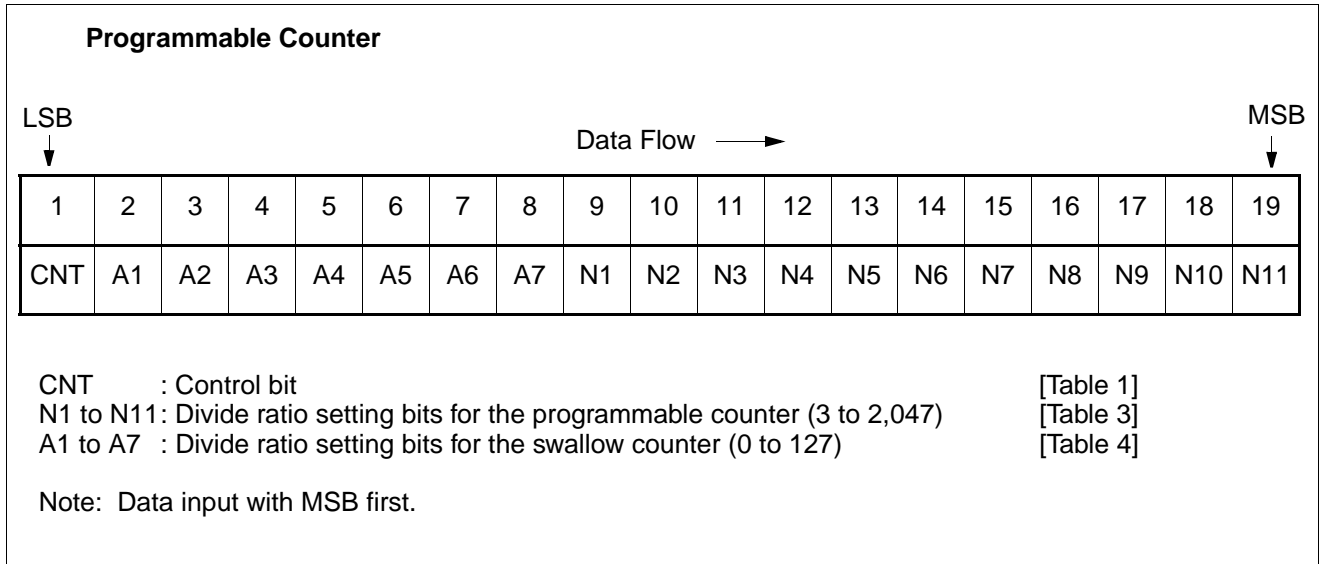


Table 2. Binary 14-bit Programmable Reference Counter Data Setting

Divide ratio(R)	R14	R13	R12	R11	R10	R9	R8	R7	R6	R5	R4	R3	R2	R1
3	0	0	0	0	0	0	0	0	0	0	0	0	1	1
4	0	0	0	0	0	0	0	0	0	0	0	1	0	0
·	·	·	·	·	·	·	·	·	·	·	·	·	·	·
16383	1	1	1	1	1	1	1	1	1	1	1	1	1	1

Note: Divide ratio less than 3 is prohibited.

Table 3. Binary 11-bit Programmable Counter Data Setting

Divide ratio(N)	N11	N10	N9	N8	N7	N6	N5	N4	N3	N2	N1
3	0	0	0	0	0	0	0	0	0	1	1
4	0	0	0	0	0	0	0	0	1	0	0
·	·	·	·	·	·	·	·	·	·	·	·
2047	1	1	1	1	1	1	1	1	1	1	1

Note: Divide ratio less than 3 is prohibited.

MB15E06SR

Table 4. Binary 7-bit Swallow Counter Data Setting

Divide ratio (A)	A7	A6	A5	A4	A3	A2	A1
0	0	0	0	0	0	0	0
1	0	0	0	0	0	0	1
·	·	·	·	·	·	·	·
127	1	1	1	1	1	1	1

Table 5. Prescaler Data Setting

SW	Prescaler divide ratio
1	64/65
0	128/129

Table 6. LD/fout Output Select Data Setting

LDS	LD/fout output signal
1	fout signal
0	LD signal

(2) Relation between the FC Input and Phase Characteristics

The FC bit changes the phase characteristics of the phase comparator. The internal charge pump output level (Do) is reversed according to the FC bit. Also, the monitor pin (fout) output is controlled by the FC bit. The relationship between the FC bit and Do is shown below.

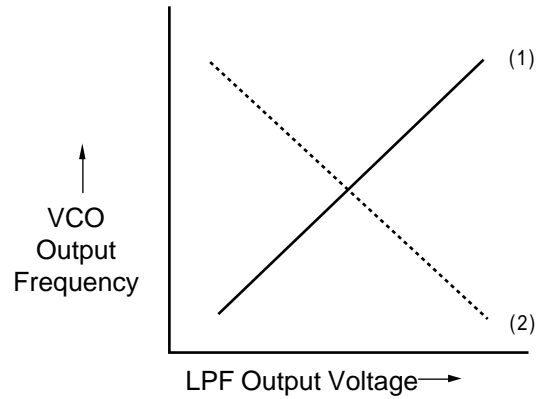
Table 7. FC Bit Data Setting (LDS = "1")

	FC = 1		FC = 0	
	Do	LD/fout	Do	LD/fout
$f_r > f_p$	H	fout = fr	L	fout = fp
$f_r < f_p$	L		H	
$f_r = f_p$	Z		Z	

Z : High impedance

When designing a synthesizer, the FC pin setting depends on the VCO and LPF characteristics.

- When the LPF and VCO characteristics are similar to (1), set FC bit high.
- When the VCO characteristics are similar to (2), set FC bit low.



Note : Give attention to the polarity for using active type LPF.

MB15E06SR

3. Power Saving Mode (Intermittent Mode Control Circuit)

Table 10. PS Pin Setting

PS pin	Status
H	Normal mode
L	Power saving mode

The intermittent mode control circuit reduces the PLL power consumption.

By setting the PS pin low, the device enters into the power saving mode, reducing the current consumption. See the Electrical Characteristics chart for the specific value.

The phase detector output, Do, becomes high impedance.

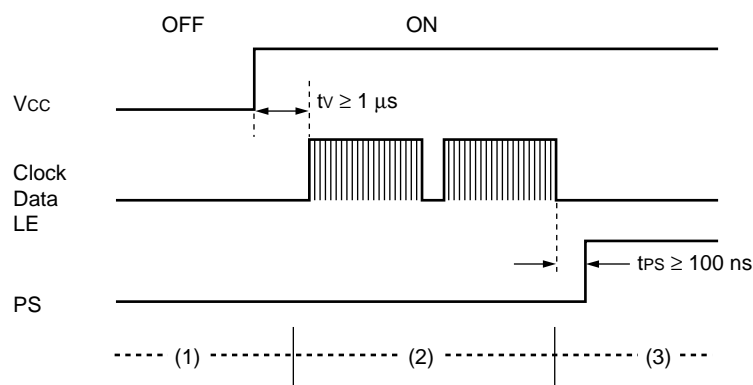
For the signal PLL, the lock detector, LD, remains high, indicating a locked condition.

Setting the PS pin high, releases the power saving mode, and the device works normally.

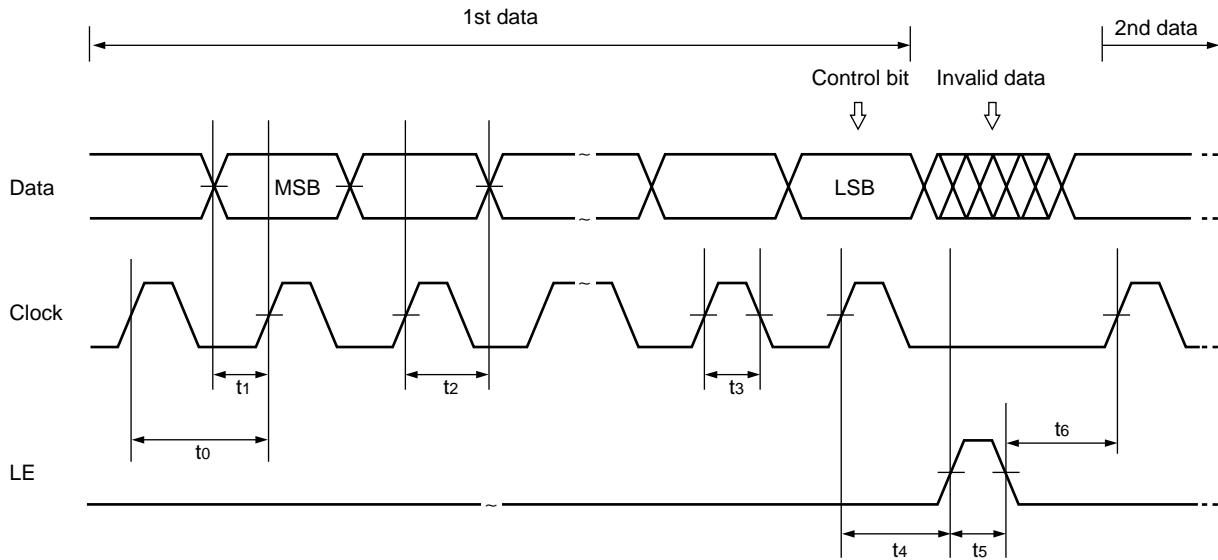
The intermittent mode control circuit also ensures a smooth startup when the device returns to normal operation. When the PLL is returned to normal operation, the phase comparator output signal is unpredictable. This is because of the unknown relationship between the comparison frequency (f_p) and the reference frequency (f_r) which can cause a major change in the comparator output, resulting in a VCO frequency jump and an increase in lockup time.

To prevent a major VCO frequency jump, the intermittent mode control circuit limits the magnitude of the error signal from the phase detector when it returns to normal operation.

- Notes :
- When power (V_{CC}) is first applied, the device must be in standby mode, PS = Low.
 - The serial data input after the power supply becomes stable and the the power saving mode is released after completed the data input..



■ SERIAL DATA INPUT TIMING



On the rising edge of the clock, one bit of data is transferred into the shift register.

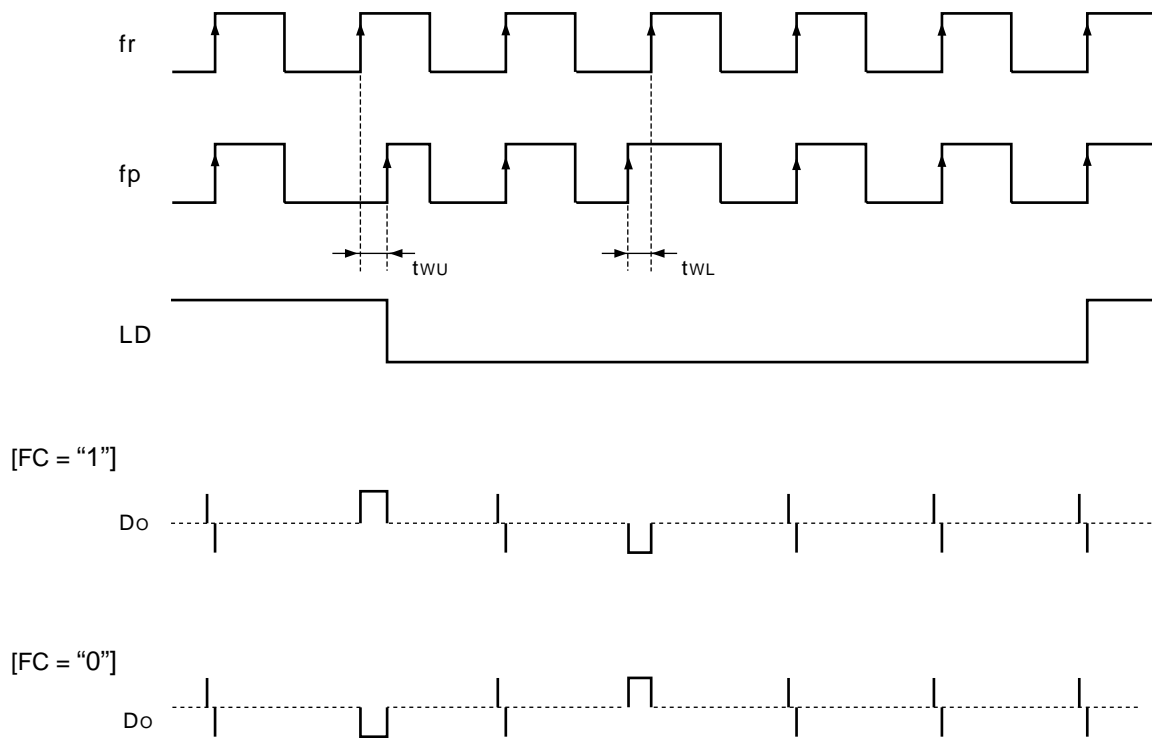
Parameter	Min	Typ	Max	Unit
t_1	20	–	–	ns
t_2	20	–	–	ns
t_3	30	–	–	ns
t_4	30	–	–	ns

Parameter	Min	Typ	Max	Unit
t_5	100	–	–	ns
t_6	20	–	–	ns
t_7	100	–	–	ns

Note: LE should be "L" when the data is transferred into the shift register.

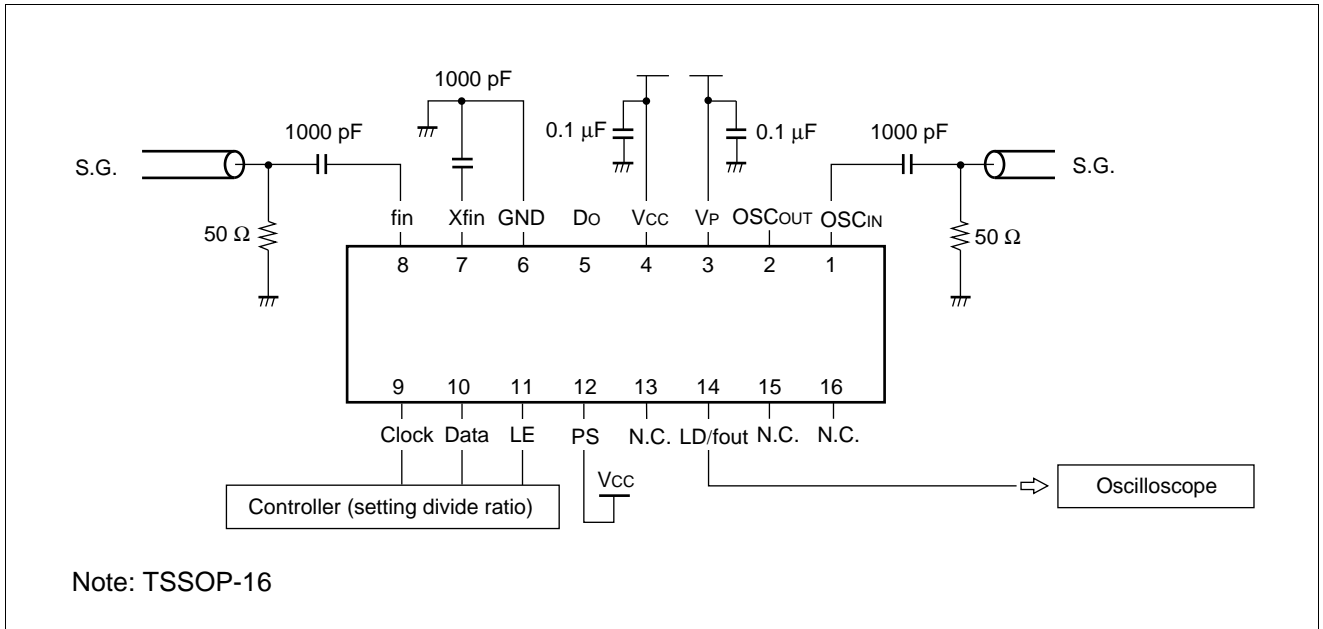
MB15E06SR

■ PHASE COMPARATOR OUTPUT WAVEFORM



- Notes:
- Phase error detection range: -2π to $+2\pi$
 - Pulses on Do signal during locked state are output to prevent dead zone.
 - LD output becomes low when phase is t_{wU} or more. LD output becomes high when phase error is t_{wL} or less and continues to be so for three cycles or more.
 - t_{wU} and t_{wL} depend on OSC_{IN} input frequency.
 - $t_{wU} > 2/f_{osc}$ (s) (e. g. $t_{wU} > 153.8$ ns, $f_{osc} = 13$ MHz)
 - $t_{wL} < 4/f_{osc}$ (s) (e. g. $t_{wL} < 307.7$ ns, $f_{osc} = 13$ MHz)
 - LD becomes high during the power saving mode (PS = "L").

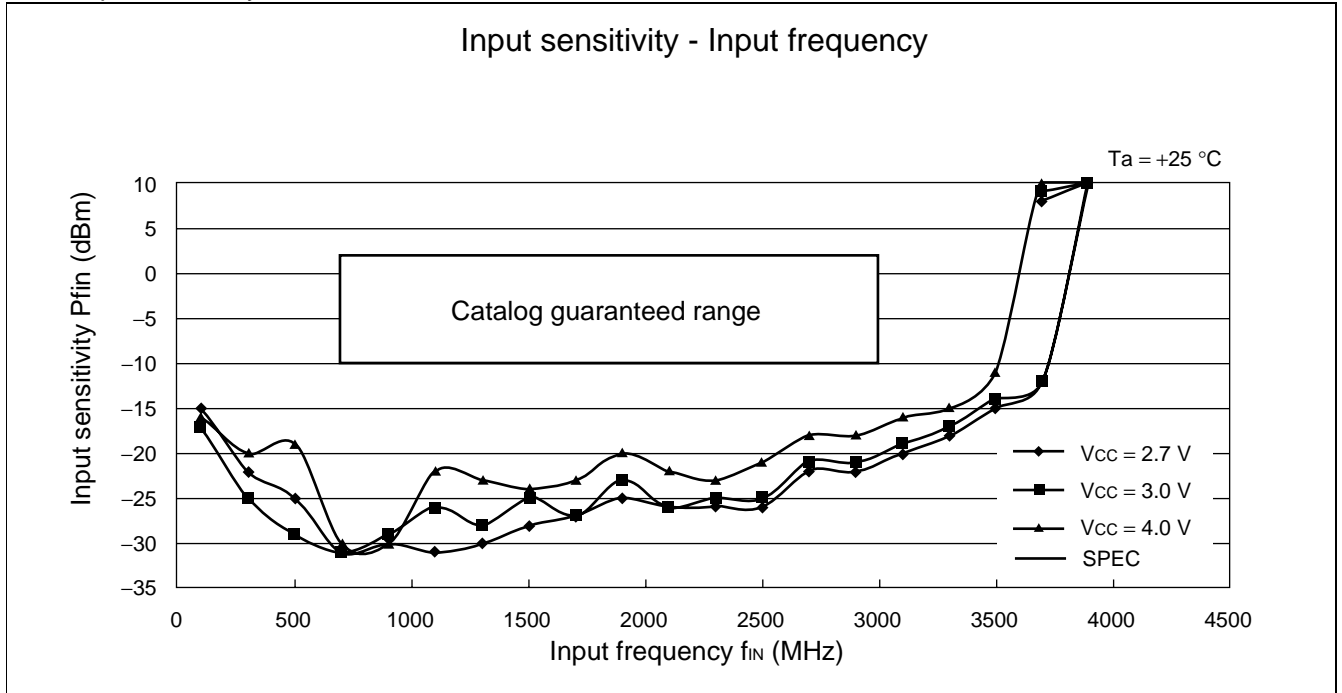
MEASUREMENT CIRCUIT (for Measuring Input Sensitivity fin/OSCIN)



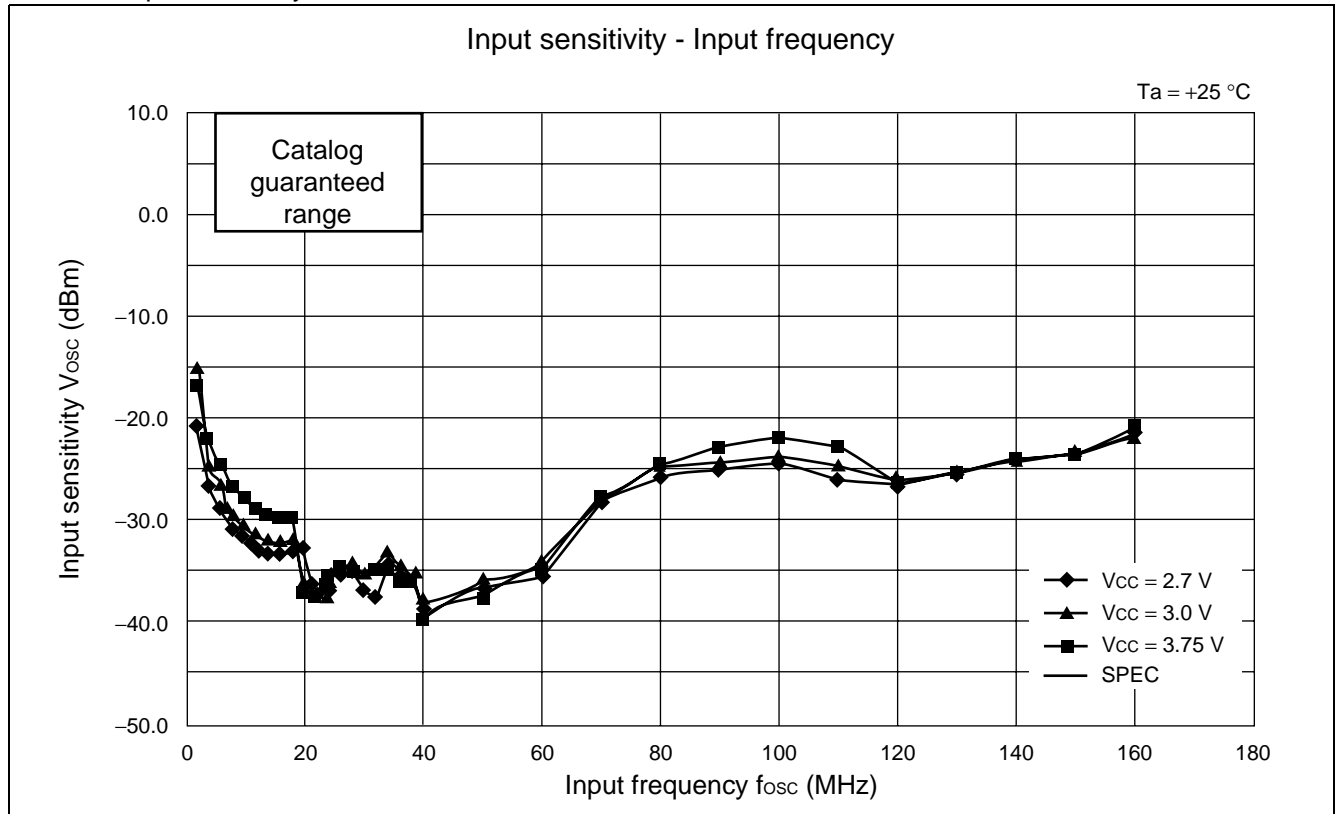
MB15E06SR

■ TYPICAL CHARACTERISTICS

1. f_{IN} input sensitivity

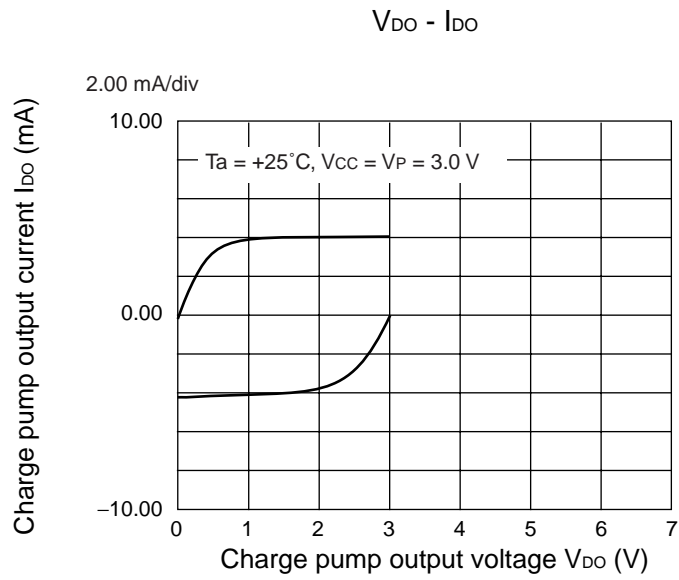


2. OSC_{IN} input sensitivity

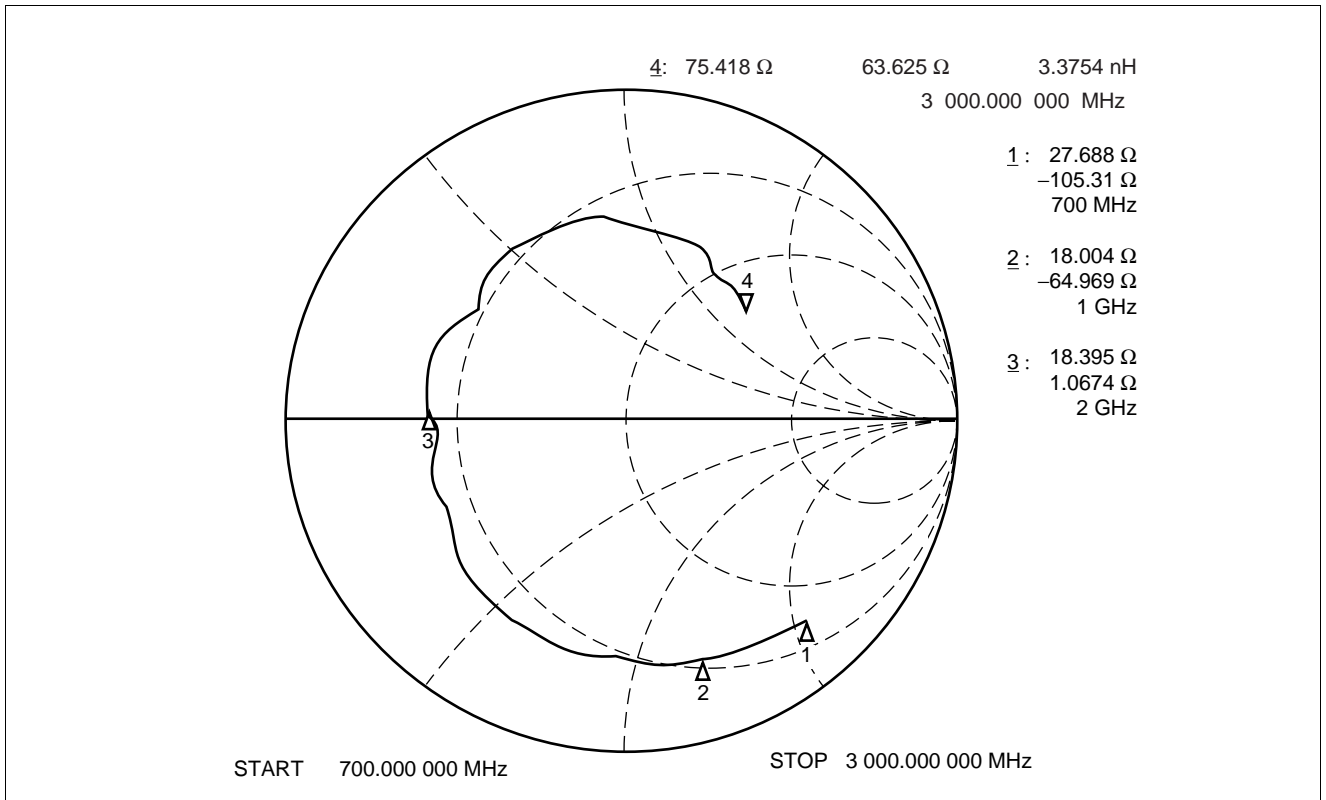


3. Do output current

- 4.0 mA

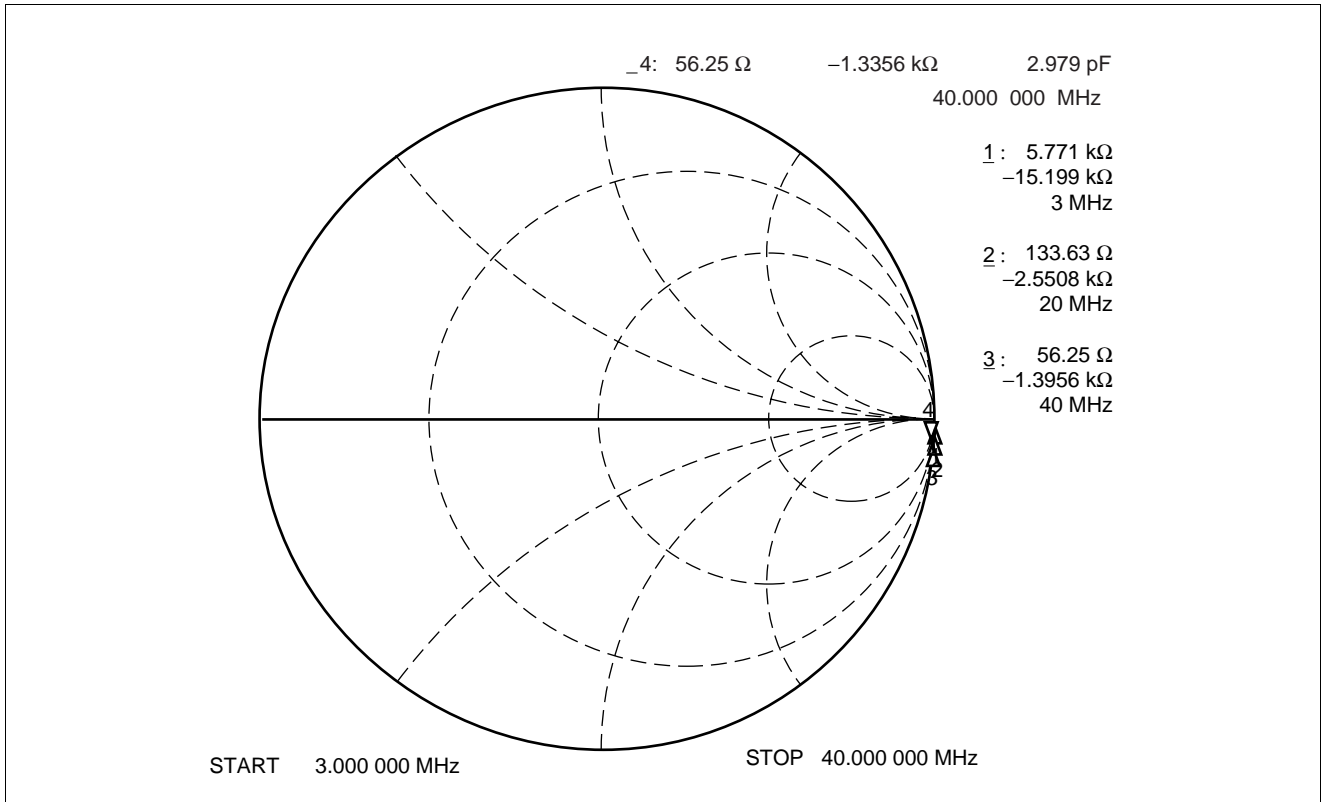


4. fin input impedance

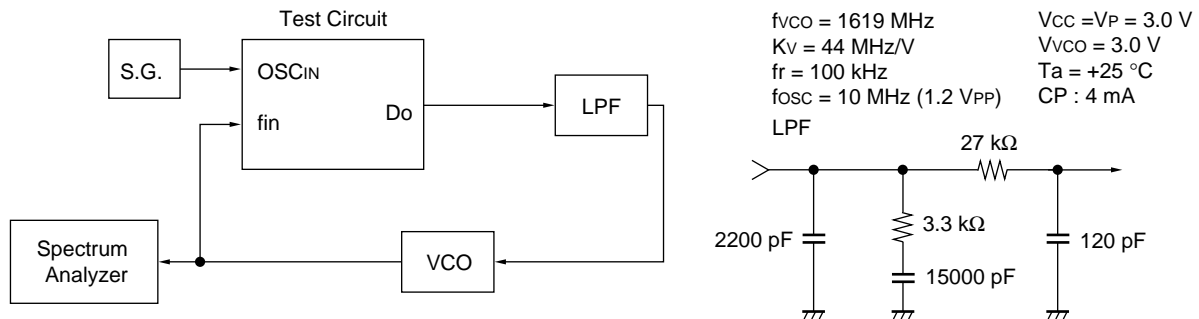


MB15E06SR

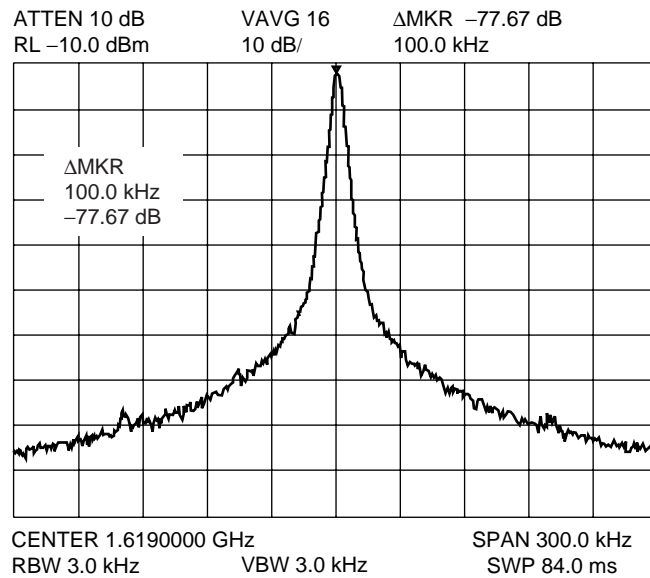
5. OSC_{IN} input impedance



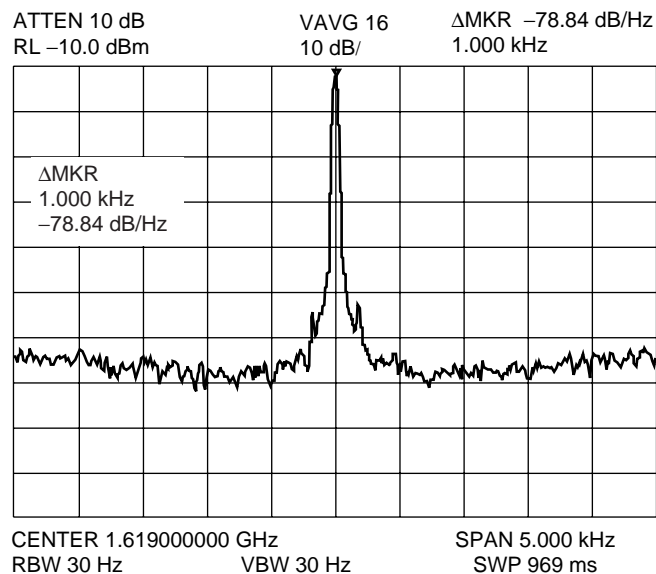
REFERENCE INFORMATION



• PLL Reference Leakage



• PLL Phase Noise

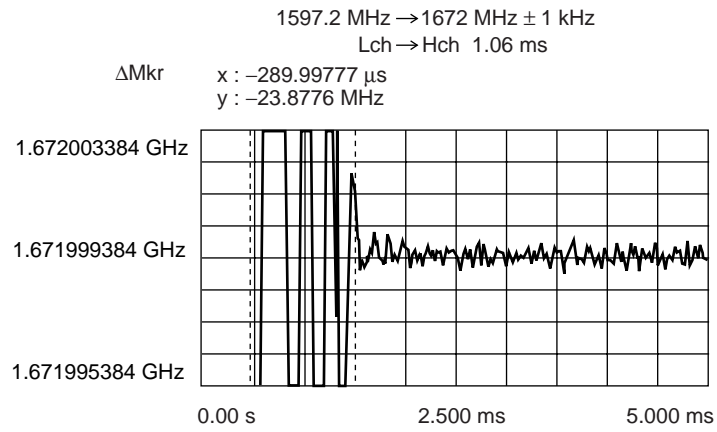


(Continued)

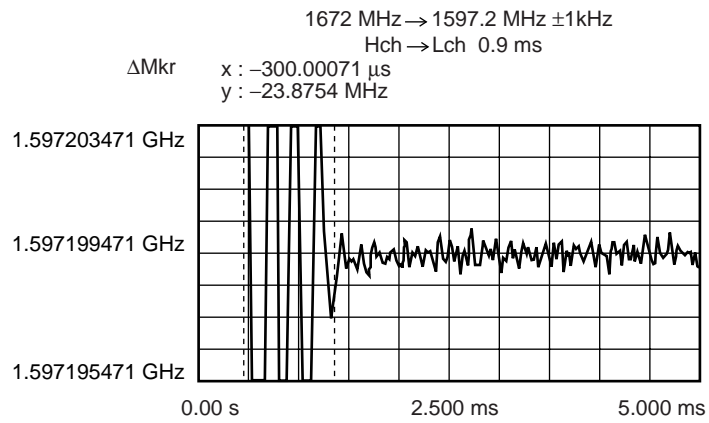
MB15E06SR

(Continued)

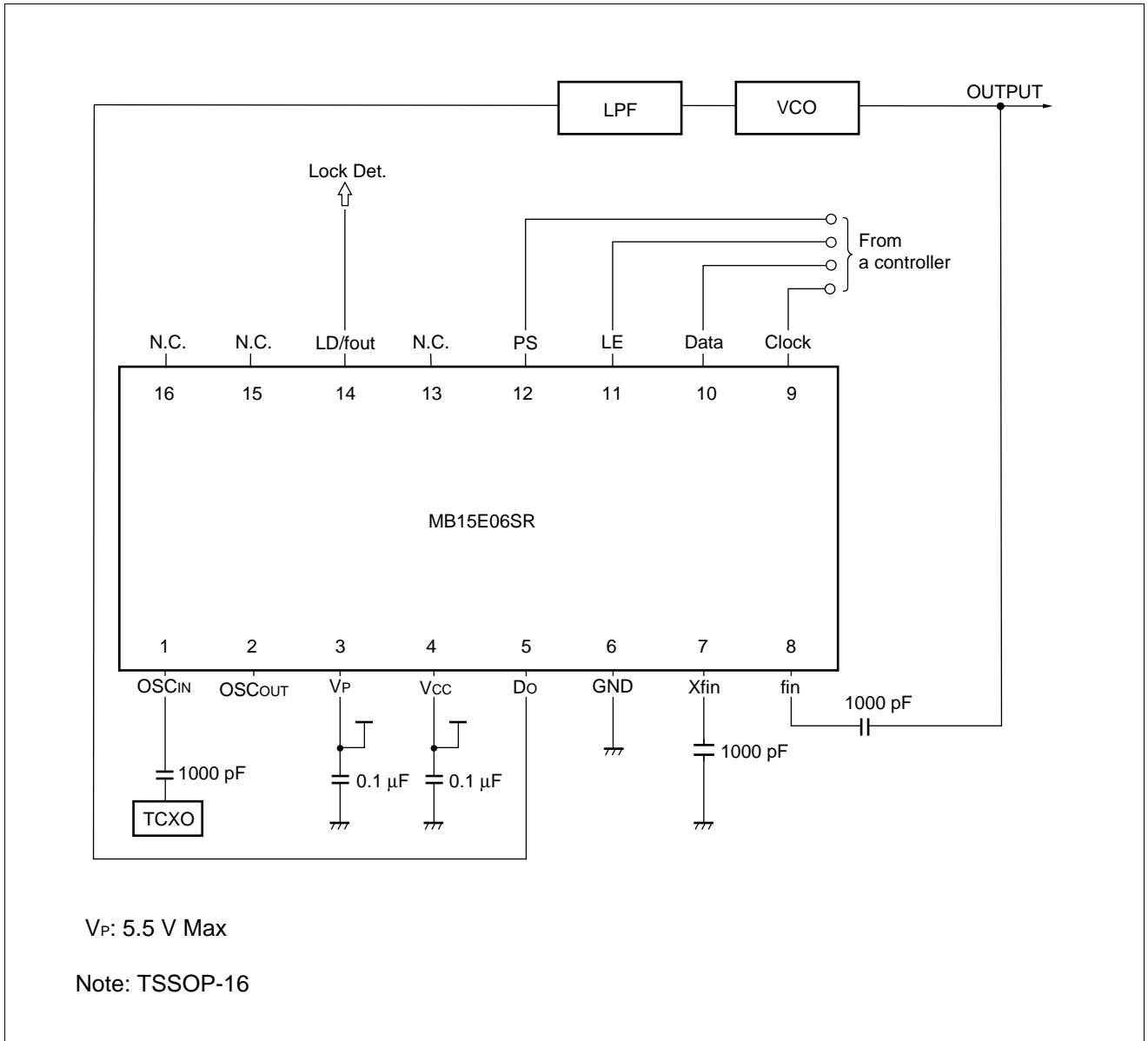
- PLL Lock Up time



- PLL Lock Up time



APPLICATION EXAMPLE



USAGE PRECAUTIONS

- To protect against damage by electrostatic discharge, note the following handling precautions:
- Store and transport devices in conductive containers.
 - Use properly grounded workstations, tools, and equipment.
 - Turn off power before inserting device into or removing device from a socket.
 - Protect leads with a conductive sheet when transporting a board-mounted device.

MB15E06SR

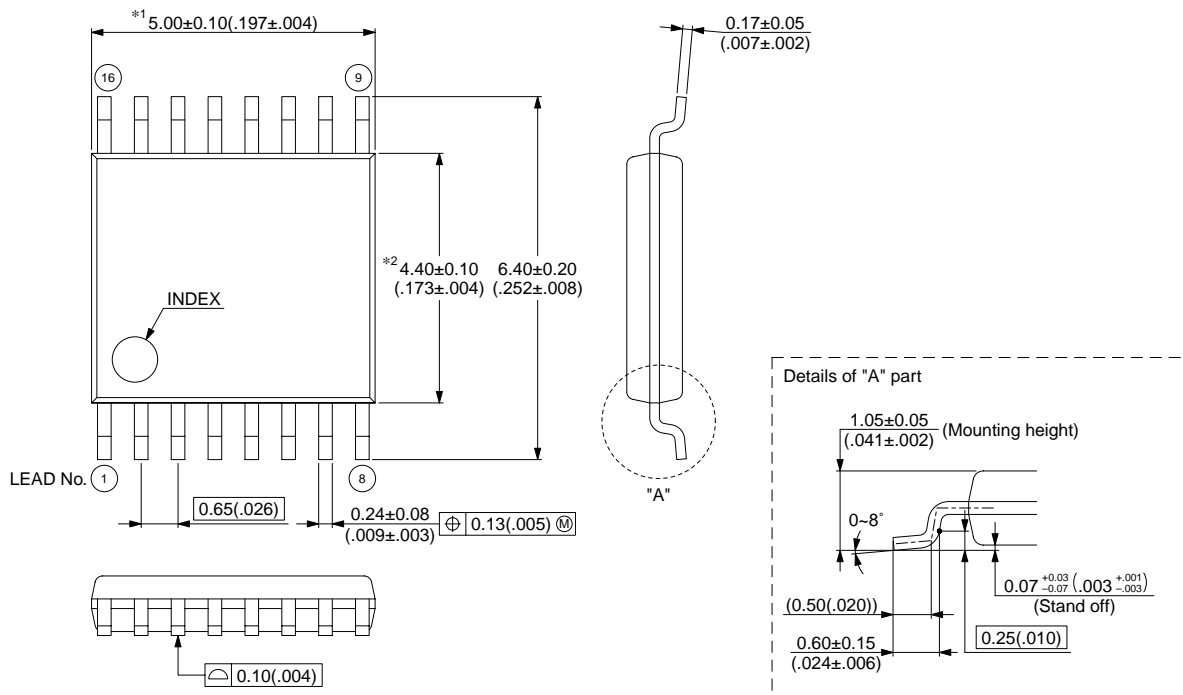
■ ORDERING INFORMATION

Part number	Package	Remarks
MB15E06SRPFT	16-pin, Plastic TSSOP (FPT-16P-M07)	
MB15E06SRPV1	16-pad, Plastic BCC (LCC-16P-M06)	

■ PACKAGE DIMENSIONS

16-pin, Plastic TSSOP
(FPT-16P-M07)

- Note 1) *1 : Resin protrusion. (Each side : +0.15 (.006) Max) .
 Note 2) *2 : These dimensions do not include resin protrusion.
 Note 3) Pins width and pins thickness include plating thickness.
 Note 4) Pins width do not include tie bar cutting remainder.



© 2003 FUJITSU LIMITED F16020S-c-3-3

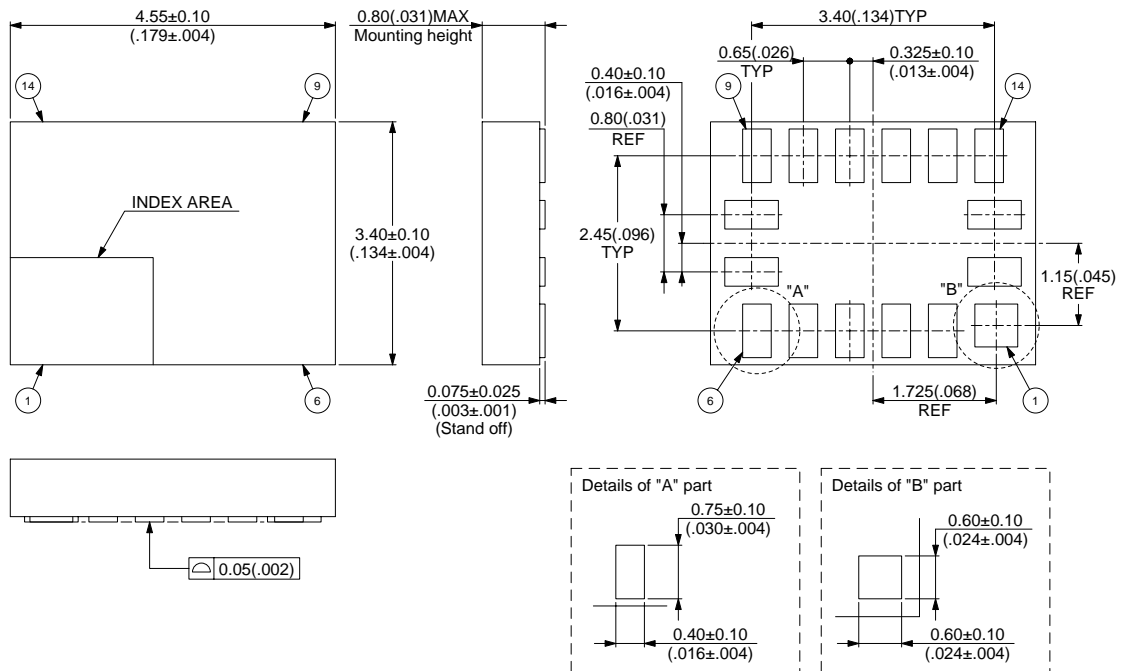
Dimensions in mm (inches) .
 Note : The values in parentheses are reference values.

(Continued)

MB15E06SR

(Continued)

16-pad plastic BCC
(LCC-16P-M06)



© 1999 FUJITSU LIMITED C16017S-1C-1

Dimensions in mm (inches).
Note : The values in parentheses are reference values.

MB15E06SR

FUJITSU LIMITED

All Rights Reserved.

The contents of this document are subject to change without notice. Customers are advised to consult with FUJITSU sales representatives before ordering.

The information, such as descriptions of function and application circuit examples, in this document are presented solely for the purpose of reference to show examples of operations and uses of Fujitsu semiconductor device; Fujitsu does not warrant proper operation of the device with respect to use based on such information. When you develop equipment incorporating the device based on such information, you must assume any responsibility arising out of such use of the information. Fujitsu assumes no liability for any damages whatsoever arising out of the use of the information.

Any information in this document, including descriptions of function and schematic diagrams, shall not be construed as license of the use or exercise of any intellectual property right, such as patent right or copyright, or any other right of Fujitsu or any third party or does Fujitsu warrant non-infringement of any third-party's intellectual property right or other right by using such information. Fujitsu assumes no liability for any infringement of the intellectual property rights or other rights of third parties which would result from the use of information contained herein.

The products described in this document are designed, developed and manufactured as contemplated for general use, including without limitation, ordinary industrial use, general office use, personal use, and household use, but are not designed, developed and manufactured as contemplated (1) for use accompanying fatal risks or dangers that, unless extremely high safety is secured, could have a serious effect to the public, and could lead directly to death, personal injury, severe physical damage or other loss (i.e., nuclear reaction control in nuclear facility, aircraft flight control, air traffic control, mass transport control, medical life support system, missile launch control in weapon system), or (2) for use requiring extremely high reliability (i.e., submersible repeater and artificial satellite).

Please note that Fujitsu will not be liable against you and/or any third party for any claims or damages arising in connection with above-mentioned uses of the products.

Any semiconductor devices have an inherent chance of failure. You must protect against injury, damage or loss from such failures by incorporating safety design measures into your facility and equipment such as redundancy, fire protection, and prevention of over-current levels and other abnormal operating conditions.

If any products described in this document represent goods or technologies subject to certain restrictions on export under the Foreign Exchange and Foreign Trade Law of Japan, the prior authorization by Japanese government will be required for export of those products from Japan.

F0401

© FUJITSU LIMITED Printed in Japan