

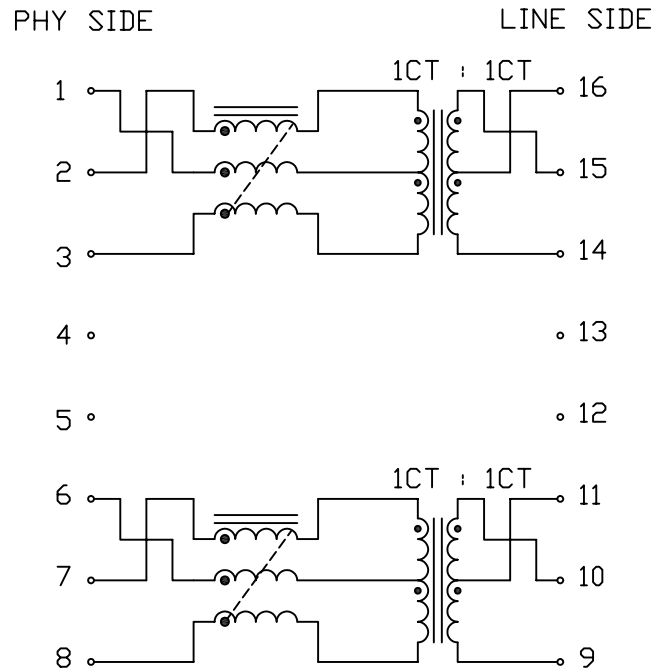
THE INFORMATION CONTAINED HEREIN IS CONSIDERED 'PROPRIETARY' TO BEL FUSE INC. AND SHALL NOT BE COPIED, REPRODUCED OR DISCLOSED WITHOUT THE WRITTEN APPROVAL OF BEL FUSE INC.

PRELIMINARY



ELECTRICAL CHARACTERISTICS @25°C

SCHEMATIC



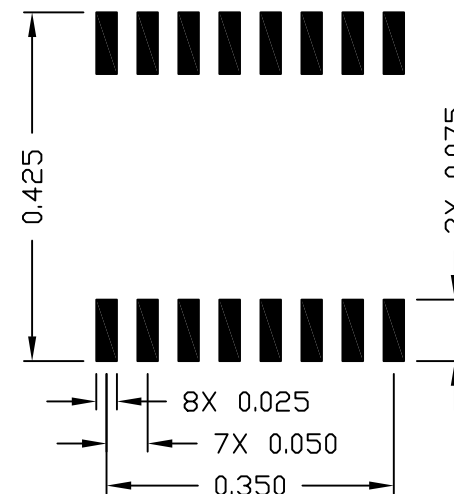
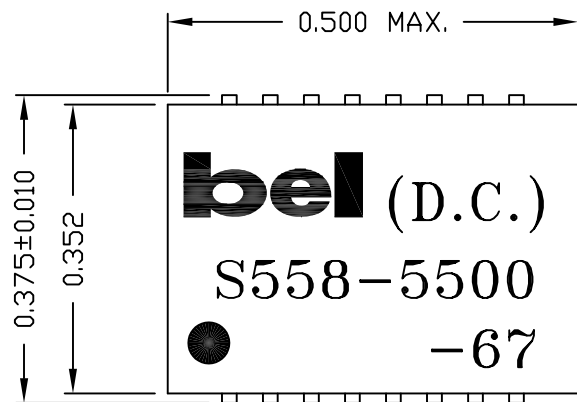
|  |  |
|--|--|
| TURNS RATIO<br>(2-1-3) : (15-16-14)<br>(7-6-8) : (10-11-9)                           | 1CT : 1CT ±2%<br>1CT : 1CT ±2%   |
| □CL<br>-40°C TO +85°C<br>-40°C TO +85°C  | @100kHz, 100mV<br>350uH MIN WITH 11mA DC BIAS<br>120uH MIN WITH 19mA DC BIAS |
| INTERWINDING CAPACITANCE, Cw/w   | @1MHz, 20mV<br>30pF MAX  |
| INSERTION LOSS<br>0.3MHz - 1MHz<br>1MHz - 65MHz<br>65MHz - 100MHz<br>100MHz - 125MHz | 1.1dB MAX<br>0.8dB MAX<br>1.0dB MAX<br>1.2dB MAX                             |
| RETURN LOSS @100ΩHM<br>0.5MHz - 40MHz<br>40MHz - 100MHz                              | 18dB MIN<br>12-20LOG(f/80MHz)dB MIN  |
| CROSSTALK<br>0.3MHz - 100MHz   | 33-20LOG(f/100MHz)dB MIN   |
| CM TO CM REJ<br>0.3MHz - 100MHz  | 30dB MIN   |
| CM TO DM REJ<br>0.3MHz - 100MHz  | 35dB MIN   |
| BALANCED DC LINE CURRENT   | 720mA MAX @57VDC CONTINUOUS<br>1.2A MAX @57VDC FOR 200mS                     |
| HIPOT  | 1500 Vrms  |

|               |          |                          |                        |                            |                              |
|---------------|----------|--------------------------|------------------------|----------------------------|------------------------------|
| ORIGINATED BY | DATE     | TITLE                    | PART NO. / DRAWING NO. | STANDARD DIM. TOL. IN INCH | [ ] METRIC DIM. AS REFERENCE |
| CHAN CH       | 03-06-09 | ELECTRICAL SPECIFICATION | S558-5500-67           | .X                         | UNIT : INCH [mm] REV. : PB   |
| DRAWN BY      | DATE     |                          | FILE NAME              | .XX                        | SCALE : N/A SIZE : A4        |
| YH Lai        | 03-06-09 |                          | S558550067PB.DWG       | .XXX                       | PAGE : 2                     |

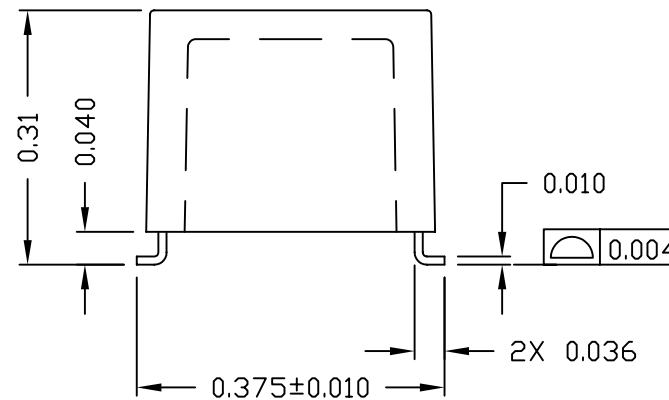
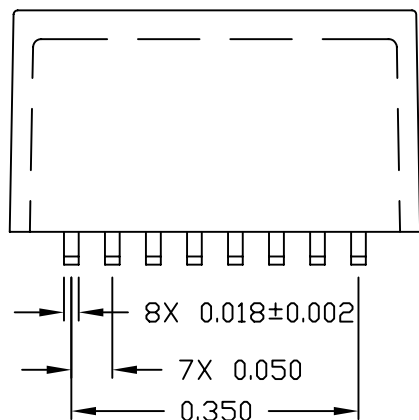


THE INFORMATION CONTAINED HEREIN IS CONSIDERED "PROPRIETARY" TO BEL FUSE INC. AND SHALL NOT BE COPIED, REPRODUCED OR DISCLOSED WITHOUT THE WRITTEN APPROVAL OF BEL FUSE INC.

PRELIMINARY



SUGGESTED PCB PAD LAYOUT



NOTES:

- STANDARD MARKING REFER TO DOC. HAND-WORK-04.
- PACKAGE CODE: "RPS001".

|                |          |                    |                        |                            |                              |
|----------------|----------|--------------------|------------------------|----------------------------|------------------------------|
| ORIGINATED BY  | DATE     | TITLE              | PART NO. / DRAWING NO. | STANDARD DIM. TOL. IN INCH | [ ] METRIC DIM. AS REFERENCE |
| LAWRENCE TSANG | 03-06-09 | MECHANICAL OUTLINE | S558-5500-67           | .X                         | UNIT : INCH [mm]             |
| DRAWN BY       | DATE     |                    | FILE NAME              | .XX ±0.01                  | SCALE : N/A                  |
| YH Lai         | 03-06-09 |                    | S558550067PB.DWG       | .XXX ±0.005                | REV. : PB                    |
|                |          |                    |                        |                            | SIZE : A4                    |
|                |          |                    |                        |                            | PAGE : 3                     |

