

# SONY CXK58257AP/ASP/AM -70L/85L/10L/12L -70LL/85LL/10LL/12LL \*

## 32768-word × 8-bit High Speed CMOS Static RAM

SONY CORP/COMPONENT PRODS

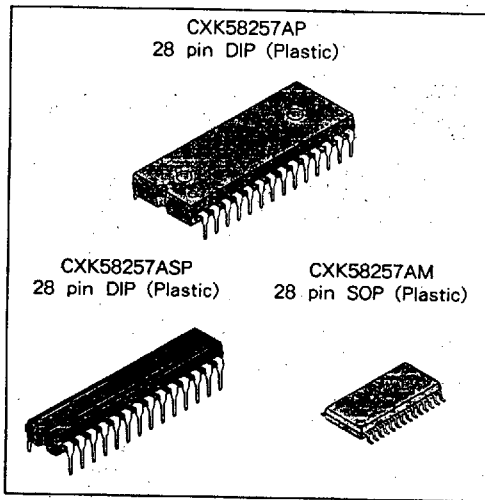
### Description

CXK58257AP/ASP/AM is 262,144 bits high speed CMOS static RAM organized as 32,768 words by 8 bits and operates from a single 5V supply. This device is suitable for use in high speed and low power applications in which battery back up for nonvolatility is required.

\* 300mil DIP covers only L-version.

### Features

- Fast access time: (Access time)  
CXK58257AP/ASP/AM-70L, 70LL 70ns(Max.)  
CXK58257AP/ASP/AM-85L, 85LL 85ns(Max.)  
CXK58257AP/ASP/AM-10L, 10LL 100ns(Max.)  
CXK58257AP/ASP/AM-12L, 12LL 120ns(Max.)
- Low power operation:  
CXK58257AP/AM-70LL, 85LL, 10LL, 12LL ;  
Standby : 1 μW (Typ.)  
Operation : 15mW (Typ.)  
CXK58257AP/ASP/AM-70L, 85L, 10L, 12L ;  
Standby : 2.5 μW (Typ.)  
Operation : 15mW (Typ.)
- Single +5V supply : +5V ± 10%
- Fully static memory...No clock or timing strobe required
- Equal access and cycle time
- Common data input and output : three state output
- Directly TTL compatible : All inputs and outputs



- Low voltage data retention : 2.0V (Min.)
- Available in 28 pin 600mil DIP, 300mil DIP and 450mil SOP

### Function

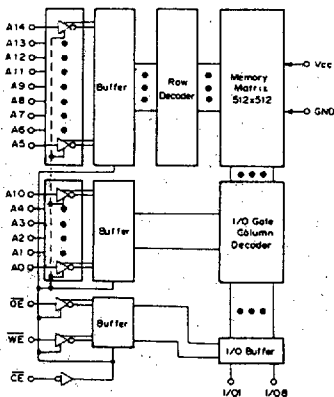
32768-word × 8-bit static RAM

### Structure

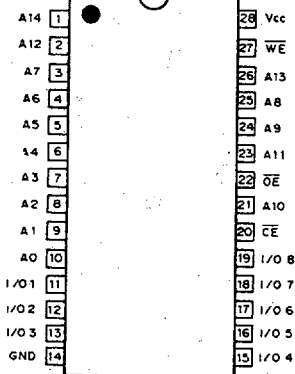
Silicon gate CMOS IC

5

### Block Diagram



### Pin Configuration (Top View)



### Pin Description

Symbol	Description
A0 to A14	Address input
I/O1 to I/O8	Data input/output
CE	Chip enable input
WE	Write enable input
OE	Output enable input
Vcc	+5V power supply
GND	Ground

SONY

SONY CORP/COMPONENT PRODS

CXK58257AP/ASP/AM

T-46-23-13

## Absolute Maximum Ratings

(Ta = 25°C, GND = 0V)

Item	Symbol	Rating	Unit
Supply voltage	V <sub>CC</sub>	-0.5 to +7.0	V
Input voltage	V <sub>IN</sub>	-0.5* to V <sub>CC</sub> + 0.5	V
Input and output voltage	V <sub>I/O</sub>	-0.5* to V <sub>CC</sub> + 0.5	V
Allowable power dissipation	P <sub>D</sub>	CXK58257AP/ASP	1.0
		CXK58257AM	0.7
Operating temperature	T <sub>opr</sub>	0 to +70	°C
Storage temperature	T <sub>stg</sub>	-55 to +150	°C
Soldering temperature	T <sub>solder</sub>	260 ± 10	°C · sec

\* V<sub>IN</sub>, V<sub>I/O</sub> = -3.0V Min. for pulse width less than 50ns.

## Truth Table

$\overline{CE}$	$\overline{OE}$	WE	Mode	I/O1 to I/O8	V <sub>CC</sub> Current
H	x	x	Not selected	High Z	I <sub>SB1</sub> , I <sub>SB2</sub>
L	H	H	Not selected	High Z	I <sub>CC1</sub> , I <sub>CC2</sub>
L	L	H	Read	Data out	I <sub>CC1</sub> , I <sub>CC2</sub>
L	x	L	Write	Data in	I <sub>CC1</sub> , I <sub>CC2</sub>

x : "H" or "L"

## DC Recommended Operating Conditions (Ta = 0 to +70°C, GND = 0V)

Item	Symbol	Min.	Typ.	Max.	Unit
Supply voltage	V <sub>CC</sub>	4.5	5.0	5.5	V
Input high voltage	V <sub>IH</sub>	2.2	—	V <sub>CC</sub> + 0.3	V
Input low voltage	V <sub>IL</sub>	-0.3*	—	0.8	V

\* V<sub>IL</sub> = -3.0V Min. for pulse width less than 50ns.

SONY

SONY CORP/COMPONENT PRODS

CXK58257AP/ASP/AM

T-46-23-13

## Electrical Characteristics

## • DC and operating characteristics

(V<sub>CC</sub> = 5V ± 10%, GND = 0V, T<sub>a</sub> = 0 to +70°C)

Item	Symbol	Test conditions	-70L/85L/10L/12L			-70LL/85LL/10LL/12LL			Unit	
			Min.	Typ.*	Max.	Min.	Typ.*	Max.		
Input leakage current	I <sub>LI</sub>	V <sub>IN</sub> = GND to V <sub>CC</sub>	-0.5	—	0.5	-0.5	—	0.5	μA	
Output leakage current	I <sub>LO</sub>	$\overline{CE} = V_{IH}$ or $\overline{OE} = V_{IH}$ V <sub>I/O</sub> = GND to V <sub>CC</sub>	-0.5	—	0.5	-0.5	—	0.5	μA	
Operating power supply current	I <sub>CC1</sub>	$\overline{CE} = V_{IL}$ , V <sub>IN</sub> = V <sub>IH</sub> or V <sub>IL</sub> , I <sub>OUT</sub> = 0mA	—	3	10	—	3	10	mA	
		$\overline{CE} \leq 0.2V$ V <sub>IN</sub> $\leq 0.2V$ or $\geq V_{CC} - 0.2V$	—	1	5	—	1	5		
Average operating current	I <sub>CC2</sub>	Cycle = Min, Duty = 100%, I <sub>OUT</sub> = 0mA	70L/70LL	—	30	50	—	30	50	mA
			85L/85LL	—	25	50	—	25	50	
			10L/10LL	—	23	50	—	23	50	
			12L/12LL	—	20	50	—	20	50	
Standby current	I <sub>SB1</sub>	$\overline{CE} \geq V_{CC} - 0.2V$	0 to 70°C	—	—	25	—	—	5	μA
			0 to 40°C	—	—	5	—	—	1	
			25°C	—	0.5	2	—	0.2	0.5	
	I <sub>SB2</sub>	$\overline{CE} = V_{IH}$	—	0.4	2	—	0.4	2	mA	
Output high voltage	V <sub>OH</sub>	I <sub>OH</sub> = -1.0mA	2.4	—	—	2.4	—	—	V	
Output low voltage	V <sub>OL</sub>	I <sub>OL</sub> = 2.1mA	—	—	0.4	—	—	0.4	V	

\* V<sub>CC</sub> = 5V, T<sub>a</sub> = 25°C

## I/O capacitance

(T<sub>a</sub> = 25°C, f = 1MHz)

Item	Symbol	Test conditions	Min.	Max.	Unit
Input capacitance	C <sub>IN</sub>	V <sub>IN</sub> = 0V	—	6	pF
I/O capacitance	C <sub>I/O</sub>	V <sub>I/O</sub> = 0V	—	8	pF

**Note)** This parameter is sampled and is not 100% tested.

5

SONY

SONY CORP/COMPONENT PRODS

CXK58257AP/ASP/AM

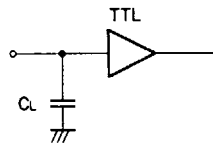
## AC characteristics

## ● AC test conditions:

(V<sub>CC</sub> = 5V ± 10%, T<sub>a</sub> = 0 to +70°C)

T-46-23-13

Item	Conditions	
Input pulse high level	V <sub>IH</sub> = 2.2V	
Input pulse low level	V <sub>IL</sub> = 0.8V	
Input rise time	tr = 5ns	
Input fall time	tf = 5ns	
Input and output reference level	1.5V	
Output load conditions	85L/85LL/10L/10LL/12L/12LL	C <sub>L</sub> * = 100pF, 1TTL
	70L/70LL	C <sub>L</sub> * = 30pF, 1TTL

\* C<sub>L</sub> includes scope and jig capacitances.

SONY

SONY CORP/COMPONENT PRODS

CXK58257AP/ASP/AM

## • Read cycle

T-46-23-13

Item	Symbol	-70L/70LL		-85L/85LL		-10L/10LL		-12L/12LL		Unit
		Min.	Max.	Min.	Max.	Min.	Max.	Min.	Max.	
Read cycle time	trc	70	—	85	—	100	—	120	—	ns
Address access time	tAA	—	70	—	85	—	100	—	120	ns
Chip enable access time	tco	—	70	—	85	—	100	—	120	ns
Output enable to output valid	toE	—	35	—	45	—	50	—	60	ns
Output hold from address change	toH	20	—	20	—	20	—	20	—	ns
Chip enable to output in low Z (CE)	tLZ	10	—	10	—	10	—	10	—	ns
Output enable to output in low Z (OE)	toLZ	5	—	5	—	5	—	5	—	ns
Chip disable to output in high Z (CE)	thZ*	0	30	0	30	0	30	0	30	ns
Chip disable to output in high Z (OE)	toHZ*	0	30	0	30	0	30	0	30	ns

\* thZ and toHZ are defined as the time required for outputs to turn to high impedance state and are not referred to as output voltage levels.

## • Write cycle

Item	Symbol	-70L/70LL		-85L/85LL		-10L/10LL		-12L/12LL		Unit
		Min.	Max.	Min.	Max.	Min.	Max.	Min.	Max.	
Write cycle time	twc	70	—	85	—	100	—	120	—	ns
Address valid to end of write	tAW	65	—	75	—	80	—	100	—	ns
Chip enable to end of write	tcw	65	—	75	—	80	—	100	—	ns
Data to write time overlap	tdw	30	—	30	—	35	—	40	—	ns
Data hold from write time	tdH	0	—	0	—	0	—	0	—	ns
Write pulse width	tWP	50	—	50	—	60	—	70	—	ns
Address setup time	tAS	0	—	0	—	0	—	0	—	ns
Write recovery time (WE)	tWR	0	—	0	—	0	—	0	—	ns
Write recovery time (CE)	tWR1	0	—	0	—	0	—	0	—	ns
Output active from end of write	tow	10	—	10	—	10	—	10	—	ns
Write to output in high Z	twhZ*	0	25	0	25	0	25	0	25	ns

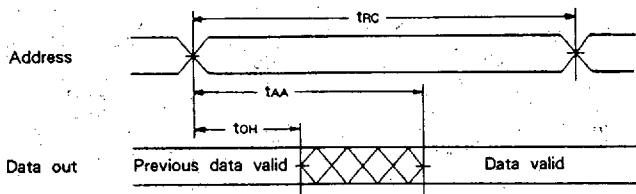
\* twhZ is defined as the time required for outputs to turn to high impedance state and is not referred to as output voltage level.

5

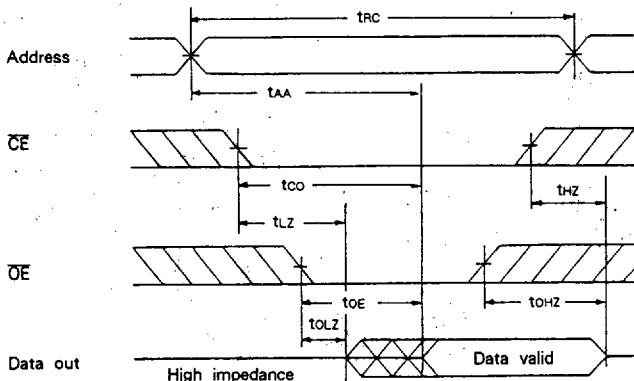
Timing Waveform

T-46-23-13

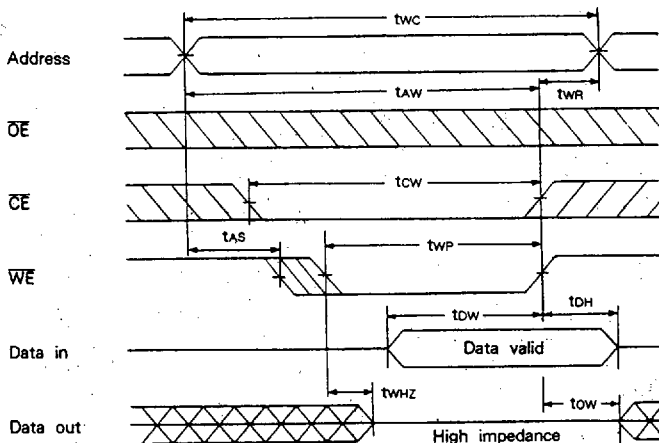
- Read cycle (1) :  $\overline{CE} = \overline{OE} = V_{IL}$ ,  $\overline{WE} = V_{IH}$



- Read cycle (2) :  $\overline{WE} = V_{IH}$

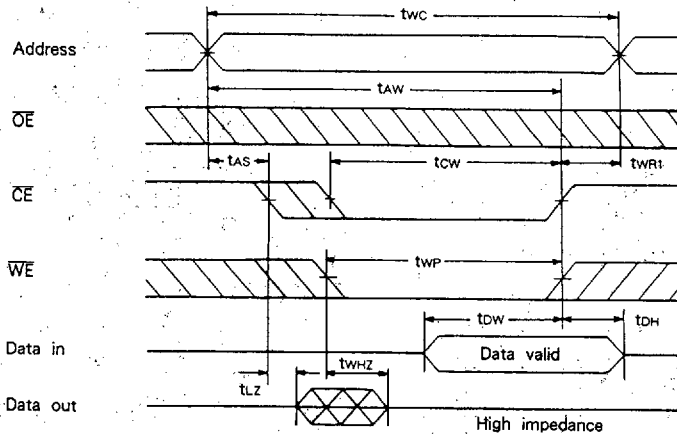


- Write cycle (1) :  $\overline{WE}$  control



• Write cycle (2) :  $\overline{CE}$  control

T-46-23-13



During I/O pins are in the output state, the data input signals of opposite phase to the output must not be applied.

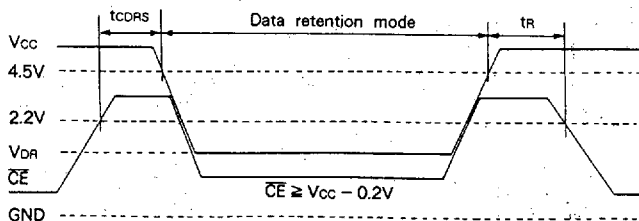
**Data Retention Characteristics**

(Ta = 0 to 70°C)

Item	Symbol	Test conditions	-70L/85L/10L/12L			-70LL/85LL/10LL/12LL			Unit	
			Min.	Typ.	Max.	Min.	Typ.	Max.		
Data retention voltage	VDR	$\overline{CE} \geq V_{CC} - 0.2V$	2.0	—	5.5	2.0	—	5.5	V	
Data retention current	I <sub>CCDR1</sub>	$V_{CC} = 3.0V$ $\overline{CE} \geq 2.8V$	Ta = 0 to 70°C	—	—	10	—	—	3	μA
			Ta = 0 to 40°C	—	—	2	—	—	0.6	
		25°C	—	0.25	1	—	0.1	0.3		
	I <sub>CCDR2</sub>	$V_{CC} = 2.0$ to $5.5V$ $\overline{CE} \geq V_{CC} - 0.2V$	—	0.5	25	—	0.2	5	μA	
Data retention setup time	t <sub>CDRS</sub>	Chip disable to data retention mode	0	—	—	0	—	—	ns	
Recovery time	t <sub>R</sub>		t <sub>RC</sub> *	—	—	t <sub>RC</sub> *	—	—	ns	

\* t<sub>RC</sub> : Read cycle time

**Data retention waveform**

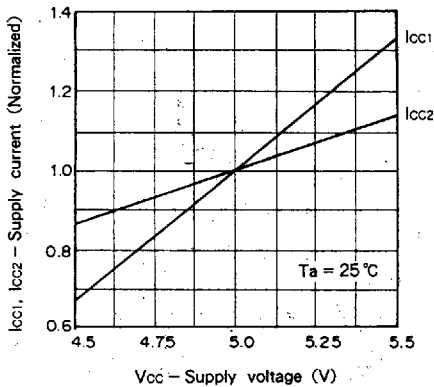


5

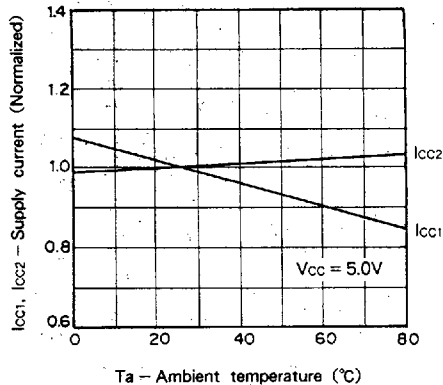
Example of Representative Characteristics

T-46-23-13

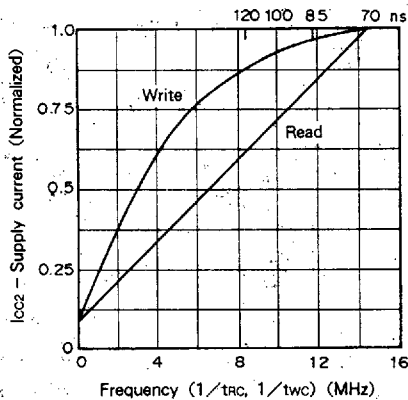
Supply current vs. Supply voltage



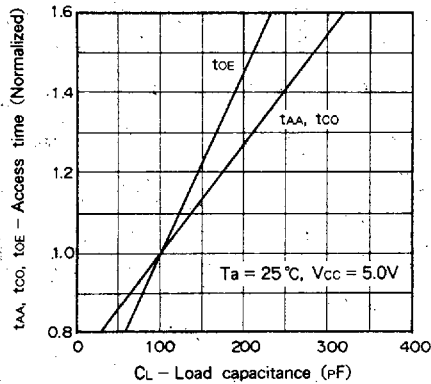
Supply current vs. Ambient temperature



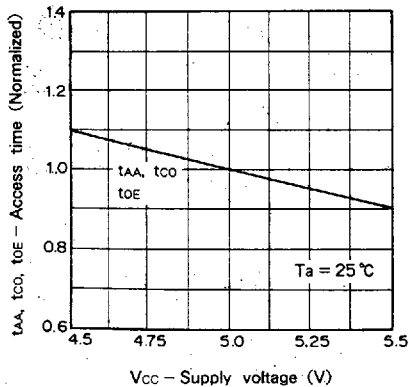
Supply current vs. Frequency



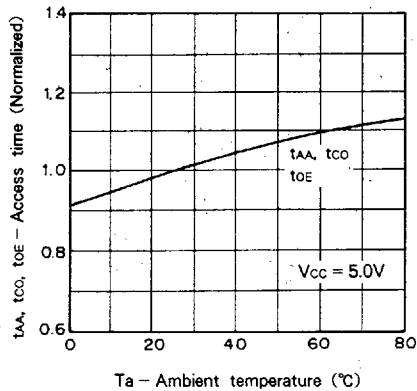
Access time vs. Load capacitance



Access time vs. Supply voltage



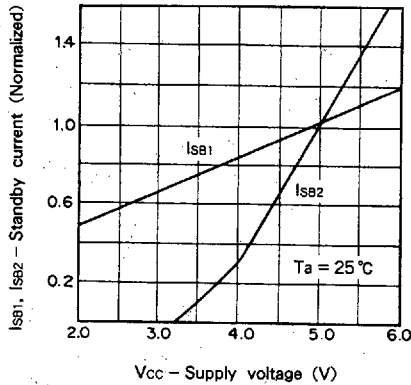
Access time vs. Ambient temperature



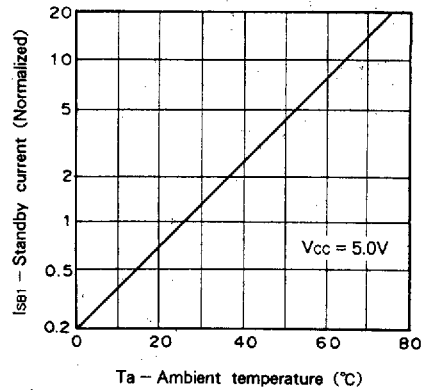


T-46-23-13

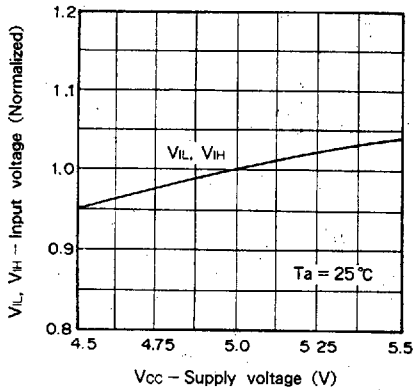
Standby current vs. Supply voltage



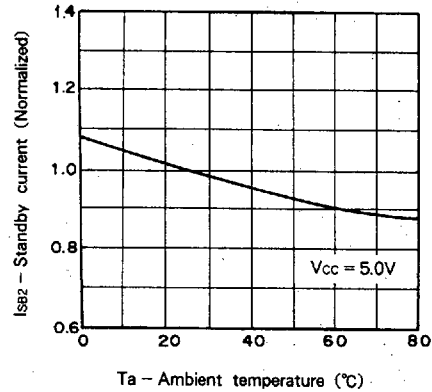
Standby current vs. Ambient temperature



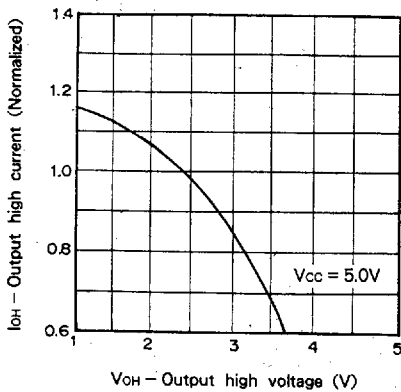
Input voltage level vs. Supply voltage



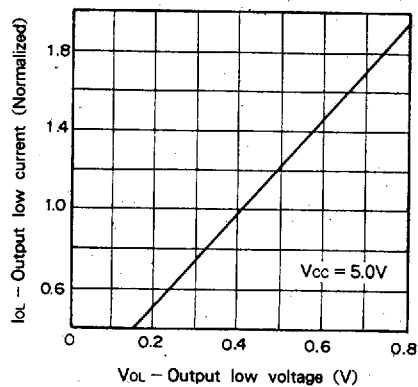
Standby current vs. Ambient temperature



Output high current vs. Output high voltage



Output low current vs. Output low voltage



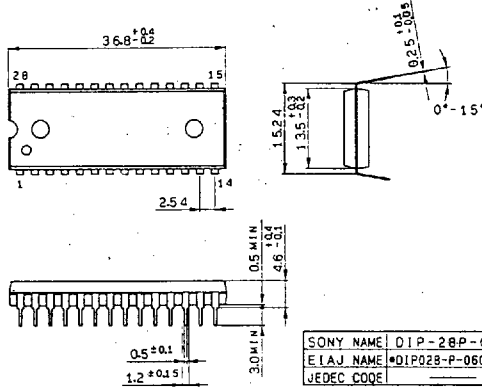
5

Package Outline Unit : mm

T-46-23-13

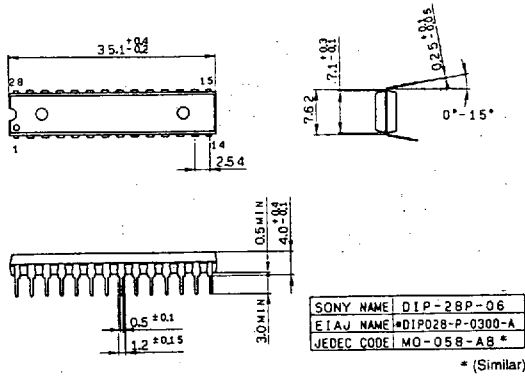
CXK58257AP

28pin DIP (Plastic) 600mil 4.2g



CXK58257ASP

28pin DIP (Plastic) 300mil 2.0g



CXK58257AM

28pin SOP (Plastic) 450mil 0.7g

