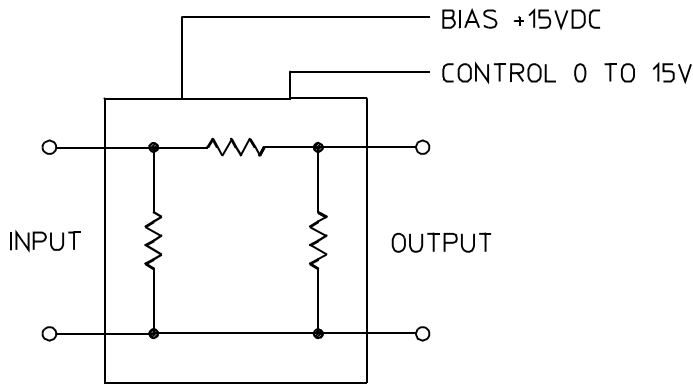


AEF-35A-500

PIN DIODE ATTENUATOR

10 to 1000 MHz / 0 to 30 dB Attenuation Range / Voltage Controlled / Multi-Octave / Hi-Rel Flat-pack



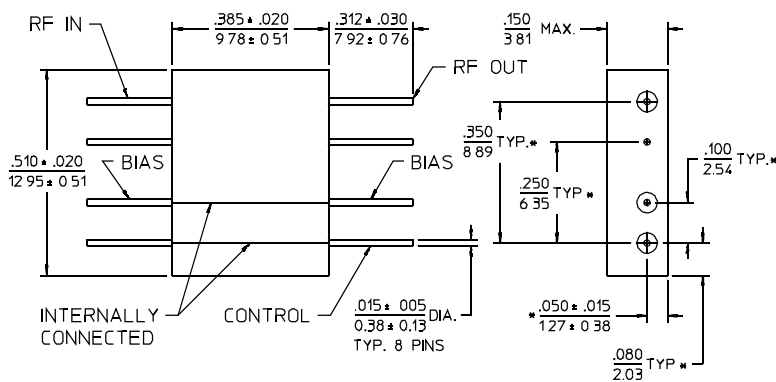
PRINCIPAL SPECIFICATIONS

Operating Frequency Range, MHz	Attenuation Range, dB, Min.	Insertion Loss, Max., @ $V_c=15V$
10 - 100	0 - 50	3.0 dB
100 - 500	0 - 35	3.0 dB
500 - 1000	0 - 30	3.0 dB

GENERAL SPECIFICATIONS

Impedance: 50 Ω nom.
 VSWR: 1.5:1 typ., 2.5:1 max.
 Bias: +15 VDC @ 1 mA nom.
 Control Voltage: 0 to +15 VDC
 Control Current: 0 to 10 mA
 Control Bandwidth : DC to 100 kHz
 Input Intercept Point +21 dB nom.
 (2 Tone, 3rd Order, @ Input o f-10 dBm)
 Switching Time : 20 μ s typ.
 (Step Input, 50 Ω Source Impedance)
 Weight, nominal: 0.1 oz (2.8 grams)
 Operating Temp: -20° to +85°C

A-Size Flatpack Outline



- NOTES:
1. Tolerance on 3 place decimal $\pm .010(.25)$ except as noted.
 2. Dimensions in inches over millimeters.
 3. Dimensions marked with * apply only at body.
 4. All unmarked terminals are ground.

General Notes:

1. The AEF-35A-500 is a constant impedance, voltage controlled, PIN diode π network variable attenuator covering 10 to 1,000 MHz.
2. Careful design of thick film resistive pads and detailed selection of suitable PIN diodes provide a wide operating bandwidth and attenuation range. Units with closely controlled phase shift are available as AFF-20A series.
3. Screened versions with extended reliability components are available on request for Hi-Reliability and similar applications.

