

PLEASE CHECK WWW.MOLEX.COM FOR LATEST PART INFORMATION

Part Number: [0877594650](#)
Status: **Active**
Overview: milligrid
Description: 2.00mm (.079") Pitch Milli-Grid™ Header, Surface Mount, Vertical, 46 Circuits, 0.38µm (15µ") Gold (Au) Selective Plating, with Press-fit Plastic Pegs, Lead-free

Documents:

[3D Model](#) [Product Specification PS-87761-100 \(PDF\)](#)
[Drawing \(PDF\)](#) [RoHS Certificate of Compliance \(PDF\)](#)

Agency Certification

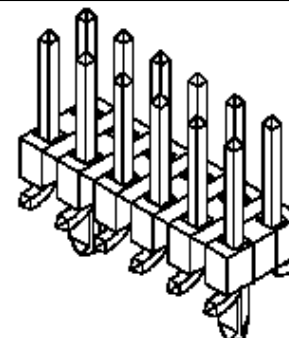
UL E29179

General

Product Family PCB Headers
 Series [87759](#)
 Application Board-to-Board
 Overview [milligrid](#)
 Product Name Milli-Grid™

Physical

Breakaway Yes
 Circuits (Loaded) 46
 Circuits (maximum) 46
 Color - Resin Black
 Durability (mating cycles max) 100
 First Mate / Last Break No
 Flammability 94V-0
 Glow-Wire Compliant No
 Guide to Mating Part No
 Keying to Mating Part None
 Lock to Mating Part None
 Mated Height (in) 0.150 In
 Mated Height (mm) 3.80 mm
 Material - Metal Phosphor Bronze
 Material - Plating Mating Gold
 Material - Plating Termination Tin
 Material - Resin High Temperature Thermoplastic
 Number of Rows 2
 Orientation Vertical
 PCB Locator Yes
 PCB Retention None
 Packaging Type Tube
 Pitch - Mating Interface (in) 0.079 In
 Pitch - Mating Interface (mm) 2.00 mm
 Pitch - Term. Interface (in) 0.079 In
 Pitch - Term. Interface (mm) 2.00 mm
 Plating min: Mating (µin) 15
 Plating min: Mating (µm) 0.38
 Polarized to Mating Part No
 Polarized to PCB No
 Shrouded No
 Stackable Yes
 Temperature Range - Operating -55°C to +105°C
 Termination Interface: Style Surface Mount



Series

image - Reference only

EU RoHS

ELV and RoHS Compliant
REACH SVHC Contains SVHC: No
Halogen-Free Status
Not Reviewed

China RoHS



Need more information on product environmental compliance?

Email productcompliance@molex.com
 For a multiple part number RoHS Certificate of Compliance, [click here](#)

Please visit the [Contact Us](#) section for any non-product compliance questions.

Search Parts in this Series

[87759Series](#)

Mates With

[79107](#) Milli-Grid™ Receptacle, Vertical, Through Hole. [79108](#) Milli-Grid™ Flex-to-Board, Vertical Receptacle. Milli-Grid™ Receptacle, Surface Mount. [79109](#). [87381](#)

Electrical

Current - Maximum per Contact	2A
Voltage - Maximum	125V

Solder Process Data

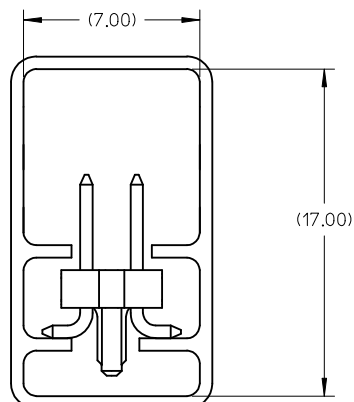
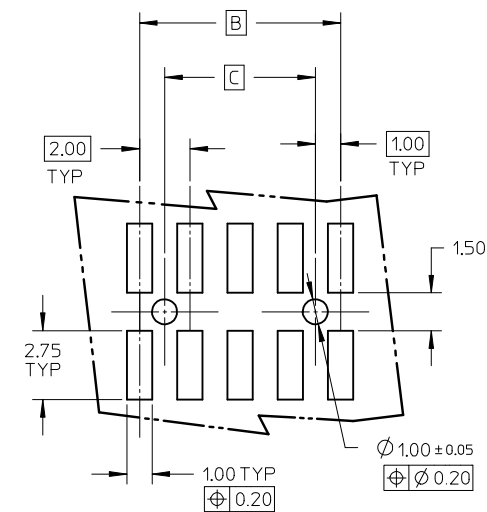
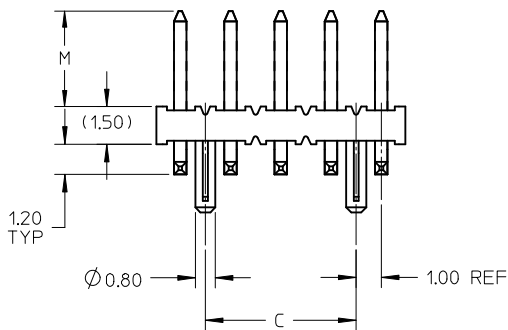
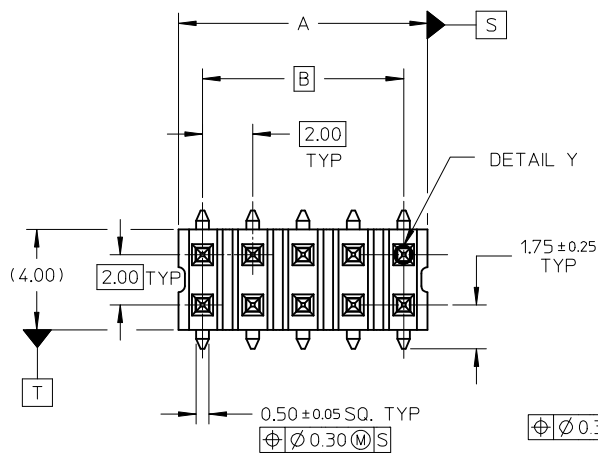
Duration at Max. Process Temperature (seconds)	10
Lead-free Process Capability	Reflow Capable (SMT only)
Max. Cycles at Max. Process Temperature	3
Process Temperature max. C	260

Material Info**Reference - Drawing Numbers**

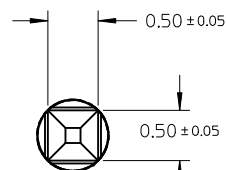
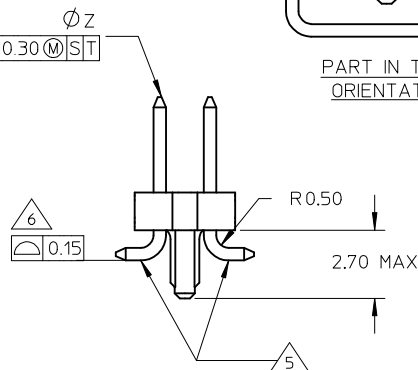
Packaging Specification	PK-89990-475
Product Specification	PS-87761-100
Sales Drawing	SD-87759-113

This document was generated on 05/25/2010

PLEASE CHECK WWW.MOLEX.COM FOR LATEST PART INFORMATION



PART IN TUBE ORIENTATION



DETAIL Y

NOTE:

1. MATERIAL:

HSG - HIGH TEMPERATURE THERMOPLASTIC,
UL 94V-0, COLOUR BLACK

PIN - 0.50 SQ PHOSPHOR BRONZE

2. PLATING:

**50 / **52 - 0.38um MIN GOLD PLATE AT CONTACT AREA,
TIN PLATE AT SOLDER AREA,
BOTH OVER NICKEL UNDERPLATE

**51 - 0.76um MIN GOLD PLATE AT CONTACT AREA,
TIN PLATE AT SOLDER AREA,
BOTH OVER NICKEL UNDERPLATE

(** - REPRESENTS DIFFERENT CKT SIZE . SEE TABLE AT SHT 2)

3. PIN PUSHOUT FORCE: 1KG MIN IN EITHER DIRECTION

4. PRODUCT SPEC PS-87761-100 APPLIES.

5. BEND DEPRESSION IS ACCEPTABLE SO LONG AS IT DOES NOT AFFECT THE OVERALL COPLANARITY OF TAIL.

6. COPLANARITY IS TO BE MEASURED BY RESTING THE SOLDER TAIL ON A FLAT SURFACE.

7. FOR ILLUSTRATION PURPOSES, 10CKT IS SHOWN

8. TUBE LENGTH IS 560MM REF STANDARD.

9. RECOMMENDED PCB BOARD THK IS 1.60±0.10 MM.

PDR#S-001876-00-00 EC NO: S2009-0182 DRWN:SKANG 2008/09/24 CHKD:ATSEE 2008/09/24 APPR:MLONG 2008/09/25	QUALITY SYMBOLS	GENERAL TOLERANCES (UNLESS SPECIFIED)	DIMENSION STYLE	SCALE	DESIGN UNITS	THIRD ANGLE PROJECTION														
	<p>▽=0</p> <p>∇=0</p>	<table border="1"> <thead> <tr> <th></th> <th>mm</th> <th>INCH</th> </tr> </thead> <tbody> <tr> <td>4 PLACES</td> <td>± ---</td> <td>± ---</td> </tr> <tr> <td>3 PLACES</td> <td>± ---</td> <td>± ---</td> </tr> <tr> <td>2 PLACES</td> <td>± 0.2</td> <td>± ---</td> </tr> <tr> <td>1 PLACE</td> <td>± ---</td> <td>± ---</td> </tr> </tbody> </table> <p>ANGULAR ± 3 °</p>		mm	INCH	4 PLACES	± ---	± ---	3 PLACES	± ---	± ---	2 PLACES	± 0.2	± ---	1 PLACE	± ---	± ---	MM ONLY	NTS	METRIC
	mm	INCH																		
4 PLACES	± ---	± ---																		
3 PLACES	± ---	± ---																		
2 PLACES	± 0.2	± ---																		
1 PLACE	± ---	± ---																		

DRAWN BY KSEE CHECKED BY KCLING APPROVED BY SKTOH MATERIAL NO. SEE TABLE	DATE 2003/12/24	TITLE CUSTOM HEADER MGRID, 2MM DUAL ROW HDR WITH PEG, SMT
	DATE 2004/01/12	DATE 2004/01/12
DRAFT WHERE APPLICABLE MUST REMAIN WITHIN DIMENSIONS		DOCUMENT NO. SD-87759-113
SIZE A3	THIS DRAWING CONTAINS INFORMATION THAT IS PROPRIETARY TO MOLEX INCORPORATED AND SHOULD NOT BE USED WITHOUT WRITTEN PERMISSION	

DATE 2003/12/24	TITLE CUSTOM HEADER MGRID, 2MM DUAL ROW HDR WITH PEG, SMT
DATE 2004/01/12	DATE 2004/01/12
DOCUMENT NO. SD-87759-113	
THIS DRAWING CONTAINS INFORMATION THAT IS PROPRIETARY TO MOLEX INCORPORATED AND SHOULD NOT BE USED WITHOUT WRITTEN PERMISSION	

DATE 2003/12/24	TITLE CUSTOM HEADER MGRID, 2MM DUAL ROW HDR WITH PEG, SMT
DATE 2004/01/12	DATE 2004/01/12
DOCUMENT NO. SD-87759-113	
THIS DRAWING CONTAINS INFORMATION THAT IS PROPRIETARY TO MOLEX INCORPORATED AND SHOULD NOT BE USED WITHOUT WRITTEN PERMISSION	

	10	9	8	7	6	5	4	3	2	1
	PART NUMBER WITHOUT CAP IN TUBE	CKT SIZE	A	B	C	M				
F	87759-0850/0851	08	7.90	6.00	4.00	3.80				
	87759-0852	08	7.90	6.00	4.00	9.60				
	87759-1050/1051	10	9.90	8.00	6.00	3.80				
	87759-1250/1251	12	11.90	10.00	8.00	3.80				
	87759-1450/1451	14	13.90	12.00	10.00	3.80				
	87759-1650/1651	16	15.90	14.00	12.00	3.80				
E	87759-1850/1851	18	17.90	16.00	14.00	3.80				
	87759-2050/2051	20	19.90	18.00	16.00	3.80				
	87759-2250/2251	22	21.90	20.00	18.00	3.80				
	87759-2450/2451	24	23.90	22.00	20.00	3.80				
	87759-2650/2651	26	25.90	24.00	22.00	3.80				
	87759-2850/2851	28	27.90	26.00	24.00	3.80				
D	87759-3050/3051	30	29.90	28.00	26.00	3.80				
	87759-3250/3251	32	31.90	30.00	28.00	3.80				
	87759-3450/3451	34	33.90	32.00	30.00	3.80				
	87759-3650/3651	36	35.90	34.00	32.00	3.80				
	87759-3850/3851	38	37.90	36.00	34.00	3.80				
	87759-4050/4051	40	39.90	38.00	36.00	3.80				
C	87759-4250/4251	42	41.90	40.00	38.00	3.80				
	87759-4450/4451	44	43.90	42.00	40.00	3.80				
	87759-4650/4651	46	45.90	44.00	42.00	3.80				
	87759-4850/4851	48	47.90	46.00	44.00	3.80				
	87759-5050/5051	50	49.90	48.00	46.00	3.80				

PDR#S-001876-00-00 EC NO: S2009-0182 DRWN:SKANG 2008/09/24 CHKD:ATSEE 2008/09/24 APPR:MLONG 2008/09/25	QUALITY SYMBOLS	GENERAL TOLERANCES (UNLESS SPECIFIED)		DIMENSION STYLE MM ONLY		SCALE NTS	DESIGN UNITS METRIC	THIRD ANGLE PROJECTION		
	▽=0 ∇=0	mm	INCH	DRAWN BY	DATE	TITLE				
		4 PLACES ± --- ± ---	KSEE	2003/12/24	CUSTOM HEADER					
		3 PLACES ± --- ± ---	CHECKED BY	DATE	MGRID, 2MM DUAL ROW					
	2 PLACES ± 0.2 ± ---	KCLING	2004/01/12	HDR WITH PEG, SMT						
	1 PLACE ± --- ± ---	APPROVED BY	DATE	MOLEX INCORPORATED						
	ANGULAR ± 3 °	SKTOH	2004/01/12	MATERIAL NO.		DOCUMENT NO.				
	DRAFT WHERE APPLICABLE MUST REMAIN WITHIN DIMENSIONS	SEE TABLE		SD-87759-113		SHEET NO. 2 OF 2				
		SIZE	THIS DRAWING CONTAINS INFORMATION THAT IS PROPRIETARY TO MOLEX INCORPORATED AND SHOULD NOT BE USED WITHOUT WRITTEN PERMISSION							
		A3								