

PLEASE CHECK WWW.MOLEX.COM FOR LATEST PART INFORMATION

Part Number: [0877590851](#)
Status: **Active**
Overview: milligrd
Description: 2.00mm (.079") Pitch Milli-Grid™ Header, Surface Mount, Vertical, 8 Circuits, 0.76µm (30µ") Gold (Au) Selective Plating, with Press-fit Plastic Pegs, Lead-free

Documents:

[3D Model](#) [Product Specification PS-87761-100 \(PDF\)](#)
[Drawing \(PDF\)](#) [RoHS Certificate of Compliance \(PDF\)](#)

Agency Certification

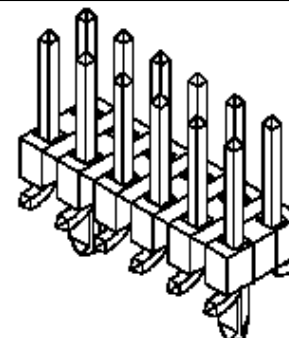
UL E29179

General

Product Family PCB Headers
 Series [87759](#)
 Application Board-to-Board
 Overview [milligrd](#)
 Product Name Milli-Grid™

Physical

Breakaway Yes
 Circuits (Loaded) 8
 Circuits (maximum) 8
 Color - Resin Black
 Durability (mating cycles max) 100
 First Mate / Last Break No
 Flammability 94V-0
 Glow-Wire Compliant No
 Guide to Mating Part No
 Keying to Mating Part None
 Lock to Mating Part None
 Mated Height (in) 0.150 In
 Mated Height (mm) 3.80 mm
 Material - Metal Phosphor Bronze
 Material - Plating Mating Gold
 Material - Plating Termination Tin
 Material - Resin High Temperature Thermoplastic
 Number of Rows 2
 Orientation Vertical
 PCB Locator No
 PCB Retention None
 Packaging Type Tube
 Pitch - Mating Interface (in) 0.079 In
 Pitch - Mating Interface (mm) 2.00 mm
 Pitch - Term. Interface (in) 0.079 In
 Pitch - Term. Interface (mm) 2.00 mm
 Plating min: Mating (µin) 30
 Plating min: Mating (µm) 0.76
 Polarized to Mating Part No
 Polarized to PCB No
 Shrouded No
 Stackable Yes
 Temperature Range - Operating -55°C to +105°C
 Termination Interface: Style Surface Mount



Series

image - Reference only

EU RoHS

ELV and RoHS Compliant
REACH SVHC Contains SVHC: No
Halogen-Free Status
Not Reviewed

China RoHS



Need more information on product environmental compliance?

Email productcompliance@molex.com
 For a multiple part number RoHS Certificate of Compliance, [click here](#)

Please visit the [Contact Us](#) section for any non-product compliance questions.

Search Parts in this Series

[87759Series](#)

Mates With

[79107](#) Milli-Grid™ Receptacle, Vertical, Through Hole. [79108](#) Milli-Grid™ Flex-to-Board, Vertical Receptacle. Milli-Grid™ Receptacle, Surface Mount. [79109](#). [87381](#)

Electrical

Current - Maximum per Contact	2A
Voltage - Maximum	125V

Solder Process Data

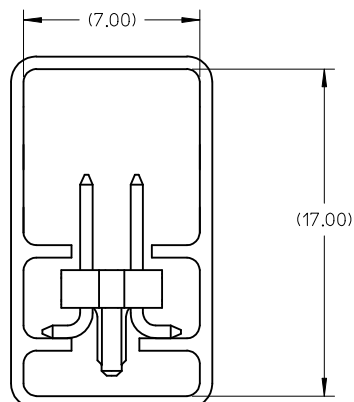
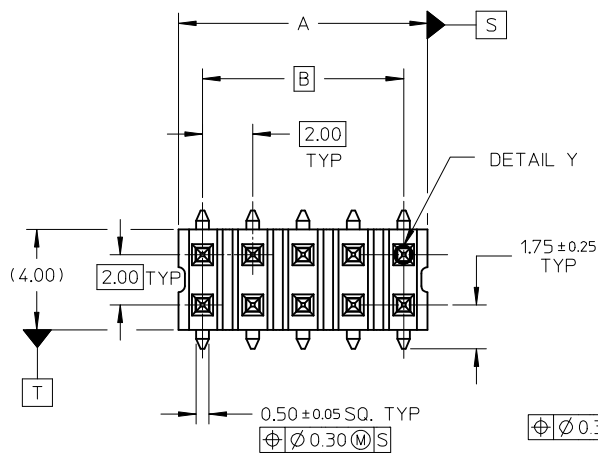
Duration at Max. Process Temperature (seconds)	10
Lead-free Process Capability	Reflow Capable (SMT only)
Max. Cycles at Max. Process Temperature	3
Process Temperature max. C	260

Material Info**Reference - Drawing Numbers**

Packaging Specification	PK-89990-475
Product Specification	PS-87761-100
Sales Drawing	SD-87759-113

This document was generated on 05/25/2010

PLEASE CHECK WWW.MOLEX.COM FOR LATEST PART INFORMATION



NOTE:

1. MATERIAL:

HSG - HIGH TEMPERATURE THERMOPLASTIC,
UL 94V-0, COLOUR BLACK

PIN - 0.50 SQ PHOSPHOR BRONZE

2. PLATING:

**50 / **52 - 0.38um MIN GOLD PLATE AT CONTACT AREA,
TIN PLATE AT SOLDER AREA,
BOTH OVER NICKEL UNDERPLATE

**51 - 0.76um MIN GOLD PLATE AT CONTACT AREA,
TIN PLATE AT SOLDER AREA,
BOTH OVER NICKEL UNDERPLATE

(** - REPRESENTS DIFFERENT CKT SIZE . SEE TABLE AT SHT 2)

3. PIN PUSHOUT FORCE: 1KG MIN IN EITHER DIRECTION

4. PRODUCT SPEC PS-87761-100 APPLIES.

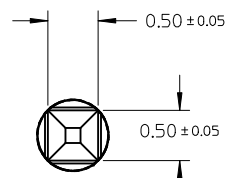
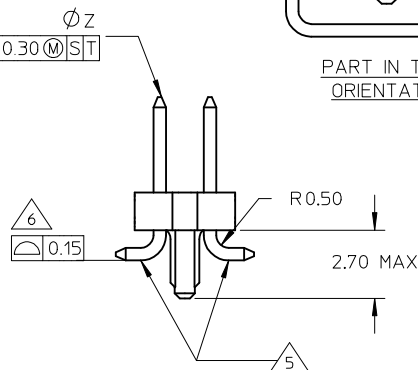
5 BEND DEPRESSION IS ACCEPTABLE SO LONG AS IT DOES NOT
AFFECT THE OVERALL COPLANARITY OF TAIL.

6 COPLANARITY IS TO BE MEASURED BY RESTING THE SOLDER TAIL
ON A FLAT SURFACE.

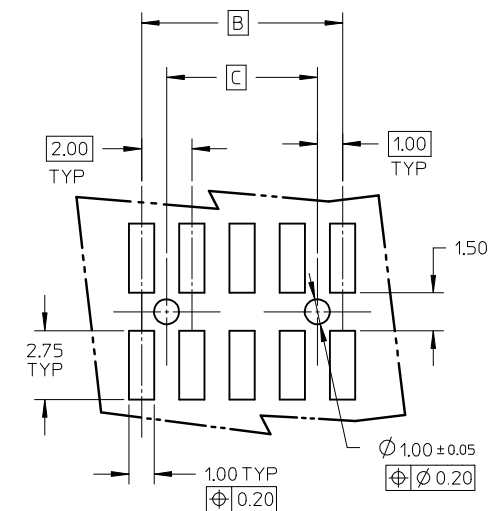
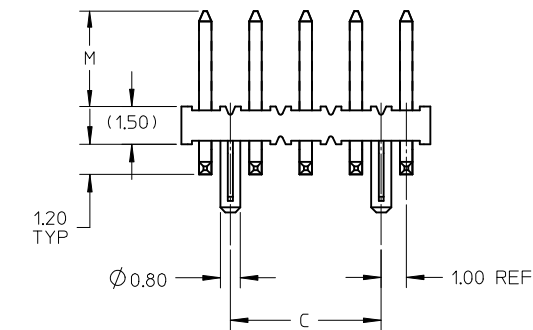
7. FOR ILLUSTRATION PURPOSES, 10CKT IS SHOWN

8. TUBE LENGTH IS 560MM REF STANDARD.

9. RECOMMENDED PCB BOARD THK IS 1.60±0.10 MM.



DETAIL Y



PDR#S-001876-00-00 EC NO: S2009-0182 DRWN:SKANG 2008/09/24 CHKD:ATSEE 2008/09/24 APPR:MLONG 2008/09/25	QUALITY SYMBOLS	GENERAL TOLERANCES (UNLESS SPECIFIED)	DIMENSION STYLE	SCALE	DESIGN UNITS	THIRD ANGLE PROJECTION														
	$\nabla=0$ $\nabla C=0$	<table border="1"> <thead> <tr> <th></th> <th>mm</th> <th>INCH</th> </tr> </thead> <tbody> <tr> <td>4 PLACES</td> <td>± ---</td> <td>± ---</td> </tr> <tr> <td>3 PLACES</td> <td>± ---</td> <td>± ---</td> </tr> <tr> <td>2 PLACES</td> <td>± 0.2</td> <td>± ---</td> </tr> <tr> <td>1 PLACE</td> <td>± ---</td> <td>± ---</td> </tr> </tbody> </table>		mm	INCH	4 PLACES	± ---	± ---	3 PLACES	± ---	± ---	2 PLACES	± 0.2	± ---	1 PLACE	± ---	± ---	MM ONLY	NTS	METRIC
	mm	INCH																		
4 PLACES	± ---	± ---																		
3 PLACES	± ---	± ---																		
2 PLACES	± 0.2	± ---																		
1 PLACE	± ---	± ---																		

DRAWN BY KSEE CHECKED BY KCLING APPROVED BY SKTOH MATERIAL NO. SEE TABLE	DATE 2003/12/24	TITLE CUSTOM HEADER MGRID, 2MM DUAL ROW HDR WITH PEG, SMT
	DATE 2004/01/12	DATE 2004/01/12
ANGULAR ± 3 °		DOCUMENT NO. SD-87759-113
DRAFT WHERE APPLICABLE MUST REMAIN WITHIN DIMENSIONS		SHEET NO. 1 OF 2

SIZE A3	THIS DRAWING CONTAINS INFORMATION THAT IS PROPRIETARY TO MOLEX INCORPORATED AND SHOULD NOT BE USED WITHOUT WRITTEN PERMISSION
------------	---

	10	9		8		7	6	5	4	3	2	1
	PART NUMBER WITHOUT CAP IN TUBE	CKT SIZE	A	B	C	M						
F	87759-0850/0851	08	7.90	6.00	4.00	3.80						
	87759-0852	08	7.90	6.00	4.00	9.60						
	87759-1050/1051	10	9.90	8.00	6.00	3.80						
	87759-1250/1251	12	11.90	10.00	8.00	3.80						
	87759-1450/1451	14	13.90	12.00	10.00	3.80						
	87759-1650/1651	16	15.90	14.00	12.00	3.80						
E	87759-1850/1851	18	17.90	16.00	14.00	3.80						
	87759-2050/2051	20	19.90	18.00	16.00	3.80						
	87759-2250/2251	22	21.90	20.00	18.00	3.80						
	87759-2450/2451	24	23.90	22.00	20.00	3.80						
	87759-2650/2651	26	25.90	24.00	22.00	3.80						
	87759-2850/2851	28	27.90	26.00	24.00	3.80						
D	87759-3050/3051	30	29.90	28.00	26.00	3.80						
	87759-3250/3251	32	31.90	30.00	28.00	3.80						
	87759-3450/3451	34	33.90	32.00	30.00	3.80						
	87759-3650/3651	36	35.90	34.00	32.00	3.80						
	87759-3850/3851	38	37.90	36.00	34.00	3.80						
	87759-4050/4051	40	39.90	38.00	36.00	3.80						
C	87759-4250/4251	42	41.90	40.00	38.00	3.80						
	87759-4450/4451	44	43.90	42.00	40.00	3.80						
	87759-4650/4651	46	45.90	44.00	42.00	3.80						
	87759-4850/4851	48	47.90	46.00	44.00	3.80						
	87759-5050/5051	50	49.90	48.00	46.00	3.80						

PDR#S-001876-00-00 EC NO: S2009-0182 DRWN:SKANG 2008/09/24 CHKD:ATSEE 2008/09/24 APPR:MLONG 2008/09/25	REV DESCRIPTION B1	QUALITY SYMBOLS	GENERAL TOLERANCES (UNLESS SPECIFIED)	DIMENSION STYLE	SCALE	DESIGN UNITS	THIRD ANGLE PROJECTION	
		=0 =0	mm INCH 4 PLACES ± --- ± --- 3 PLACES ± --- ± --- 2 PLACES ± 0.2 ± --- 1 PLACE ± --- ± --- ANGULAR ± 3 °	MM ONLY	NTS	METRIC		
				DRAWN BY DATE KSEE 2003/12/24 CHECKED BY DATE KCLING 2004/01/12 APPROVED BY DATE SKTOH 2004/01/12	TITLE	CUSTOM HEADER MGRID, 2MM DUAL ROW HDR WITH PEG, SMT		
				MATERIAL NO. SEE TABLE	MOLEX INCORPORATED DOCUMENT NO. SD-87759-113	SHEET NO. 2 OF 2		
			DRAFT WHERE APPLICABLE MUST REMAIN WITHIN DIMENSIONS	THIS DRAWING CONTAINS INFORMATION THAT IS PROPRIETARY TO MOLEX INCORPORATED AND SHOULD NOT BE USED WITHOUT WRITTEN PERMISSION				