

4.53 134

**100mm Twin cone loudspeaker**

- Polypropylene coated paper cone
- Mylar secondary high frequency cone
- Doped fabric cone surround
- Black powder coated chassis
- 4mm card + 1mm foam gasket

**59-AM100.01-01F**

**Theile Small Parameters:**

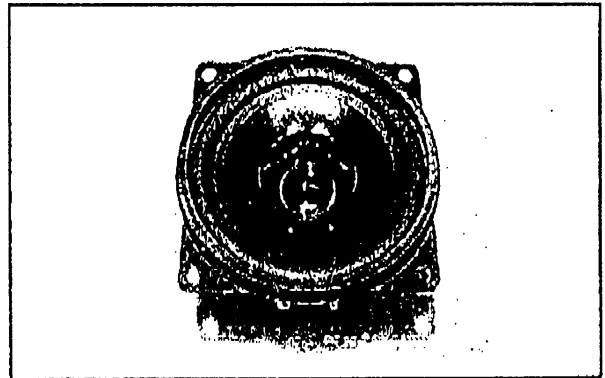
|                                      |      |                      |
|--------------------------------------|------|----------------------|
| <i>F<sub>s</sub></i>                 | 120  | <i>H<sub>z</sub></i> |
| <i>R<sub>e</sub></i>                 | 7    | <i>Ohms</i>          |
| <i>R<sub>es</sub></i>                | 13.5 | <i>Ohms</i>          |
| <i>Q<sub>ms</sub></i>                | 2.01 |                      |
| <i>Q<sub>es</sub></i>                | 0.77 |                      |
| <i>V<sub>as</sub>(S<sub>d</sub>)</i> | 1.95 | <i>Litres</i>        |
| <i>M<sub>ms</sub></i>                | 3.57 | <i>grams</i>         |
| <i>C<sub>ms</sub></i>                | 447  | <i>µm/Newton</i>     |
| <i>B<sub>l</sub></i>                 | 5.01 | <i>Tesla-m</i>       |

**Technical Specification:**

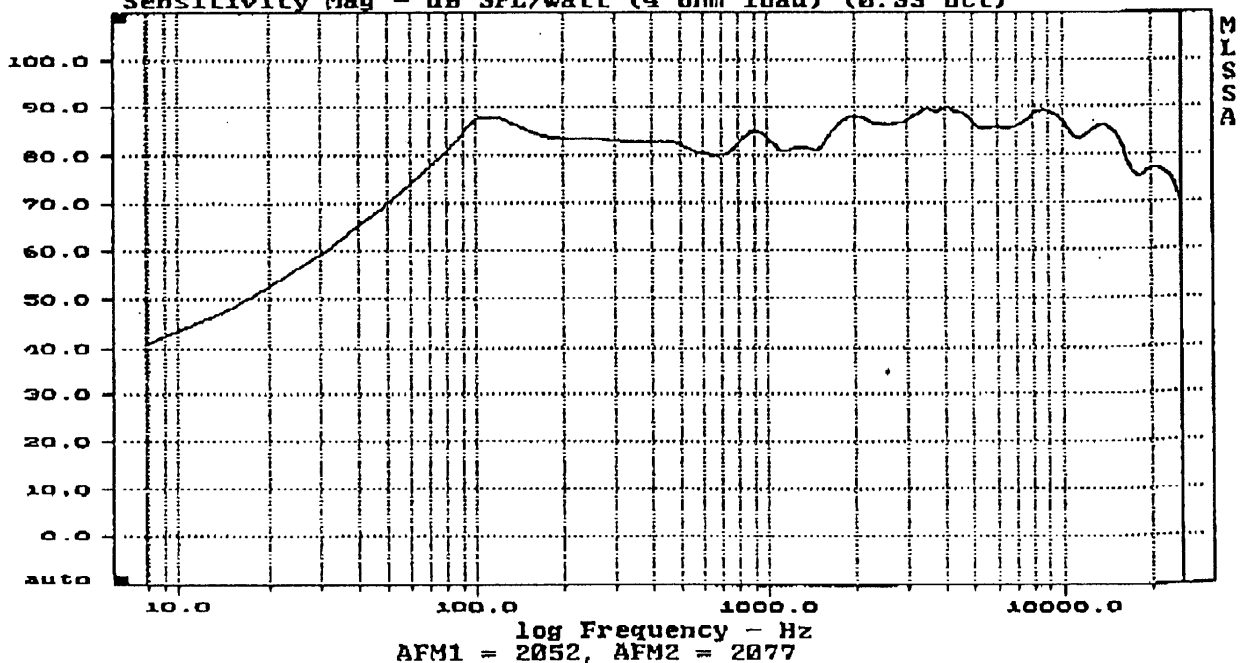
|                                   |             |                  |
|-----------------------------------|-------------|------------------|
| <i>Magnet Ø</i>                   | 70 x 10     | <i>mm</i>        |
| <i>Nominal Impedance</i>          | 8           | <i>Ohms</i>      |
| <i>Output S.P.L 1W @ 1m</i>       | 88          | <i>dB</i>        |
| <i>Frequency Response</i>         | 90 - 16,000 | <i>Hz</i>        |
| <i>Rated Power Input</i>          | 15          | <i>Watts rms</i> |
| <i>Voice coil Ø</i>               | 25          | <i>mm</i>        |
| <i>Mounting depth (from rear)</i> |             | <i>mm</i>        |
| <i>Speaker weight</i>             |             | <i>g</i>         |

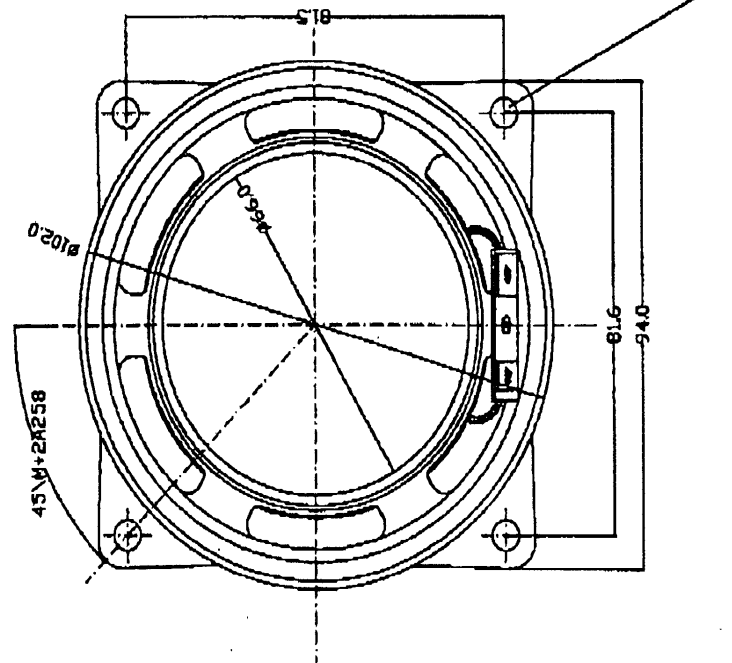
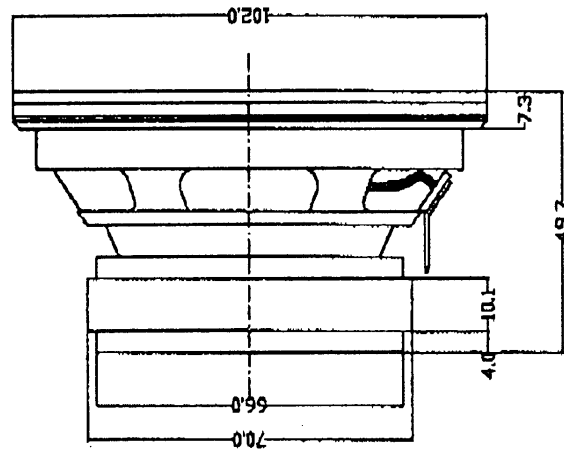
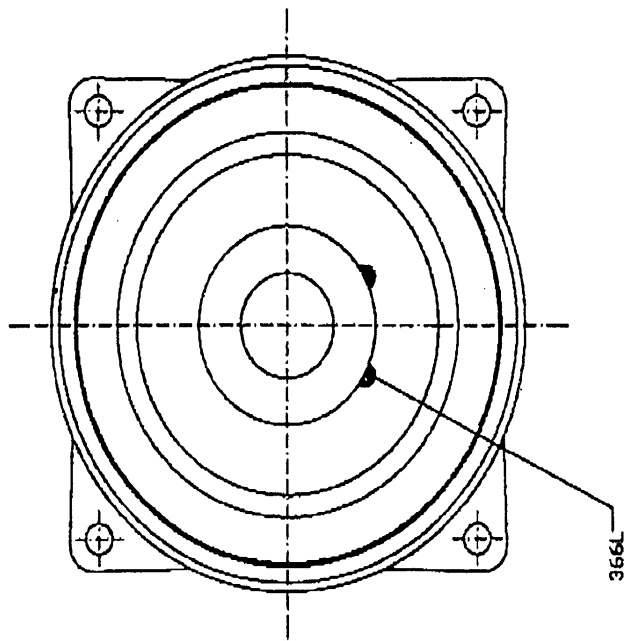
After the following tests the speaker operates normally

- Load test:* 15 Watts of White noise for 100 Hrs
- Heat test:* XX ±2°C for 16 Hrs
- Humidity test:* XX ±2°C for 96 Hrs @ 90% R.H.



File: C:\MLSSA\SR16759T.FRQ 2-26-98 11:48 AM (equalized)  
Sensitivity Mag - dB SPL/watt (4 ohm load) (0.33 oct)





|           |          |          |                        |          |          |
|-----------|----------|----------|------------------------|----------|----------|
| REV       | REV      | REV      | REV                    | REV      | REV      |
| 1         | 2        | 3        | 4                      | 5        | 6        |
| DATE      | DATE     | DATE     | DATE                   | DATE     | DATE     |
| BY        | BY       | BY       | BY                     | BY       | BY       |
| CHECKED   | CHECKED  | CHECKED  | CHECKED                | CHECKED  | CHECKED  |
| APPROVED  | APPROVED | APPROVED | APPROVED               | APPROVED | APPROVED |
| PART NAME |          |          | UNIT: mm               |          |          |
| SPEAKER   |          |          | Scale 1 : 1            |          |          |
| PART NO.  |          |          | 69-AM100.01F (SR16759) |          |          |