

PLEASE CHECK WWW.MOLEX.COM FOR LATEST PART INFORMATION

Part Number: [0554561169](#)
Status: **Active**
Description: 1.25mm (.049") Pitch Mi II™ System Wire-to-Board Header, Single Row, Right Angle, SMT, 11 Circuits, without Plastic Peg, Lead-free

Documents:

[3D Model](#) [Product Specification PS-54596-022 \(PDF\)](#)
[Drawing \(PDF\)](#) [RoHS Certificate of Compliance \(PDF\)](#)

General

Product Family PCB Headers
 Series [55456](#)
 Application Wire-to-Board
 Product Name Mini Mi II™

Physical

Breakaway No
 Circuits (Loaded) 11
 Color - Resin Natural
 Durability (mating cycles max) 30
 Glow-Wire Compliant No
 Lock to Mating Part Yes
 Mated Height (in) 0.177 In
 Mated Height (mm) 4.50 mm
 Material - Metal Brass
 Material - Plating Mating Tin
 Material - Plating Termination Tin
 Material - Resin Nylon
 Number of Rows 1
 Orientation Right Angle
 PCB Locator No
 PCB Retention Yes
 Packaging Type Embossed Tape on Reel
 Pitch - Mating Interface (in) 0.049 In
 Pitch - Mating Interface (mm) 1.25 mm
 Polarized to Mating Part Yes
 Stackable No
 Temperature Range - Operating -40°C to +105°C
 Termination Interface: Style Surface Mount

Electrical

Current - Maximum per Contact 1.5A
 Voltage - Maximum 100V AC (RMS)/DC

Material Info

Reference - Drawing Numbers

Product Specification PS-54596-022, RPS-54596-025, RPS-54596-026
 Sales Drawing SD-55456-010, SD-55456-011

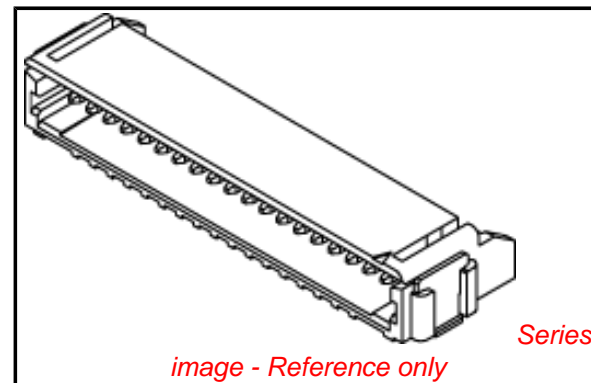


image - Reference only

EU RoHS

**ELV and RoHS
 Compliant**
REACH SVHC
 Not Reviewed
**Halogen-Free
 Status**
 Not Reviewed

China RoHS



**Need more information on product
 environmental compliance?**

Email productcompliance@molex.com
 For a multiple part number RoHS Certificate of Compliance, [click here](#)

Please visit the [Contact Us](#) section for any non-product compliance questions.

Search Parts in this Series



55456Series

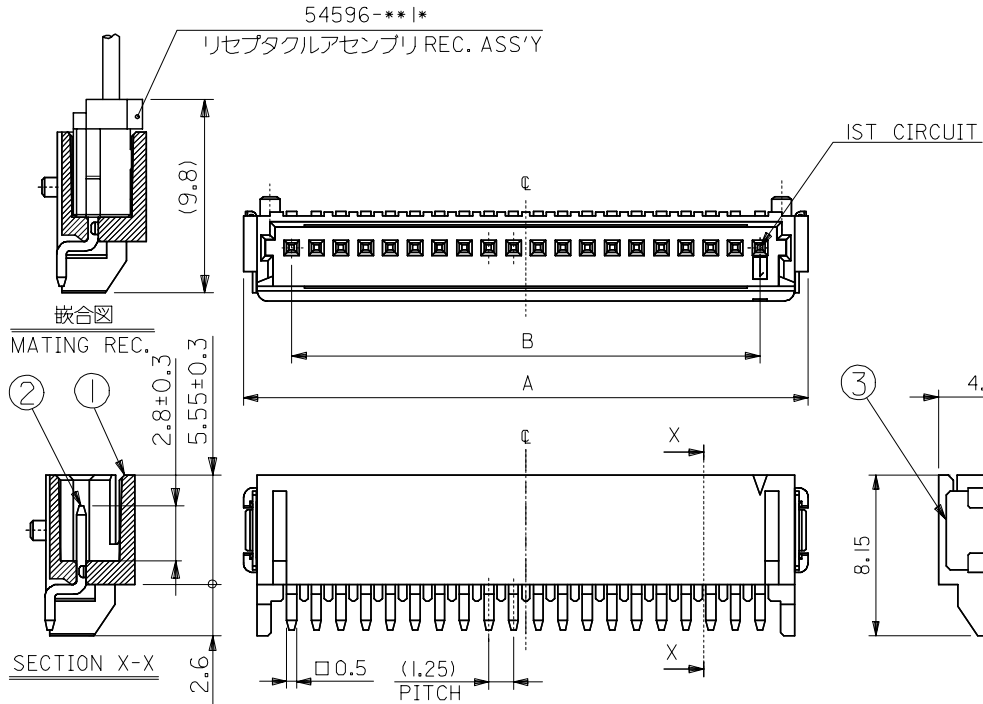
Mates With

54596 IDT Receptacle Housing

10 9 8 7 6 5 4 3 2 1

番号 NO.	名称 NAME	材料 MATERIAL	数量 QT'Y	仕上げ FINISH
①	ウエハー WAFER	ナイロン NYLON	1	UL94V-0 色:原色 COLOR:NATURAL
②	ピン PIN	黄銅 BRASS	N	全体錫メッキ PRE-TINNED
③	ネール NAIL	黄銅 BRASS	2	錫メッキ TIN PLATING

ボス無しタイプ WITHOUT BOSS	ボス有りタイプ WITH BOSS
55456-**6*	55456-**5*
	



27.25	25.95	23.75	28.65	55456-2060		55456-2050	
26	24.7	22.5	27.4	-1960		-1950	
24.75	23.45	21.25	26.15	-1860		-1850	
23.5	22.2	20	24.9	-1760		-1750	
22.25	20.95	18.75	23.65	-1660		-1650	
21	19.7	17.5	22.4	-1560		-1550	
19.75	18.45	16.25	21.15	-1460		-1450	
18.5	17.2	15	19.9	-1360		-1350	
17.25	15.95	13.75	18.65	-1260		-1250	
16	14.7	12.5	17.4	-1160	ボス無しタイプ WITHOUT BOSS	-1150	ボス有りタイプ WITH BOSS
14.75	13.45	11.25	16.15	-1060	55456-**6*	-1050	55456-**5*
13.5	12.2	10	14.9	-0960		-0950	
12.25	10.95	8.75	13.65	-0860		-0850	
11	9.7	7.5	12.4	-0760		-0750	
9.75	8.45	6.25	11.15	-0660		-0650	
8.5	7.2	5	9.9	-0560		-0550	
7.25	5.95	3.75	8.65	-0460		-0450	
6	4.7	2.5	7.4	-0360		-0350	
4.75	3.45	1.25	6.15	55456-0260		55456-0250	
D	C	B	A	MATERIAL NO.	MODEL NO.	MATERIAL NO.	MODEL NO.

注記 NOTES

- 材料及び仕上げ:表参照
MATERIAL AND FINISH:SEE CHART
- エンボス梱包品の詳細は、SD-55456-011を参照の事。
DETAILED TAPING PACKAGE,SEE SD-55456-011



製品番号 MATERIAL NO.
55456-****

極数 CIRCUIT SIZE (02~20)

ボス BOSS 5: 有り WITH BOSS
6: 無し WITHOUT BOSS

色 COLOR 0: 自然色 NATURAL

4. 本製品は 55456-**10/**30/**70/**80 の鉛フリー品である。
THIS PRODUCT IS LEAD FREE OF 55456-**10/**30/**70/**80.

RELEASED EC NO: J2005-2224 2005/02/24 DRWN:NAIDA 2005/02/25 CHKD:KTOJO 2005/03/02 APPR:NUKITA	GENERAL TOLERANCES (UNLESS SPECIFIED)		DIMENSION STYLE	SCALE	DESIGN UNITS	THIRD ANGLE PROJECTION
			MM ONLY	4:1	METRIC	
	10 UNDER	±0.2	DRAWN BY	DATE	TITLE	
	10 OVER 30 UNDER	±0.25	N. AIDA	'05/02/04	MINI MI2 1-ROW R/A SMT ASS'Y -LEAD FREE-	
30 OVER	±0.3	CHECKED BY	DATE	MOLEX INCORPORATED		
ANGULAR	±3 °	N. UKITA	'05/02/04	SD-55456-010		
DRAFT WHERE APPLICABLE MUST REMAIN WITHIN DIMENSIONS		MATERIAL NO.	DOCUMENT NO.	SHEET NO.		
		SEE CHART	SD-55456-010	1 OF 2		
THIS DRAWING CONTAINS INFORMATION THAT IS PROPRIETARY TO MOLEX INCORPORATED AND SHOULD NOT BE USED WITHOUT WRITTEN PERMISSION						

F

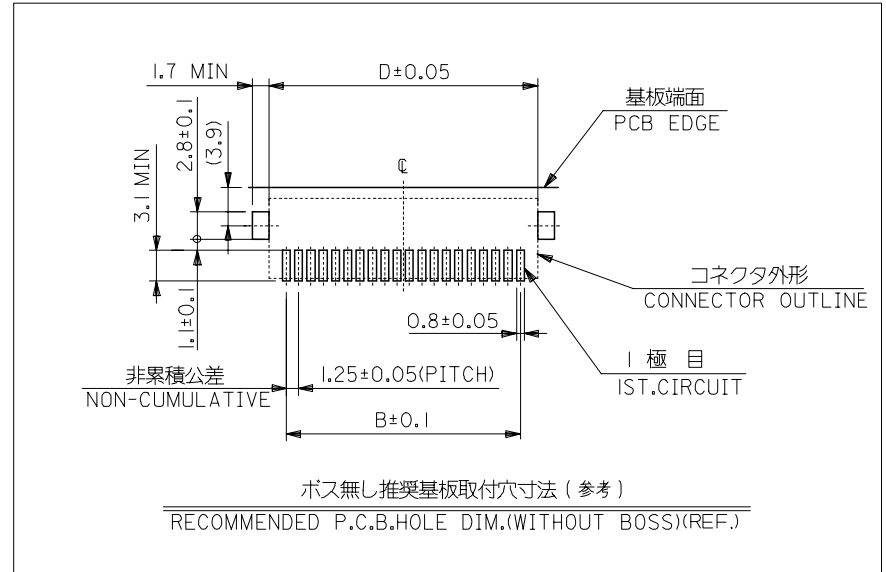
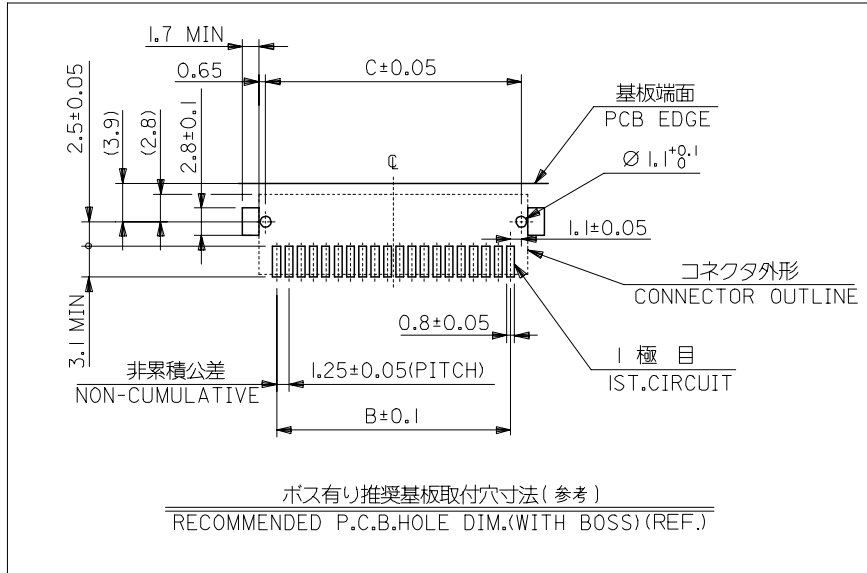
E

D

C

B

A



RELEASED EC NO: J2005-2224 DRAWN: NAIDA 2005/02/24 CHKD: KTOJO 2005/02/25 APPR: NUKITA 2005/03/02	GENERAL TOLERANCES (UNLESS SPECIFIED)		DIMENSION STYLE MM ONLY		SCALE 4:1	DESIGN UNITS METRIC	THIRD ANGLE PROJECTION	
	10 UNDER	±0.2	DRAWN BY N. AIDA	DATE '05/02/04	TITLE MINI MI2 1-ROW R/A SMT ASS'Y -LEAD FREE-			
	10 OVER 30 UNDER	±0.25	CHECKED BY K. TOJO	DATE '05/02/04				
	30 OVER	±0.3	APPROVED BY N. UKITA	DATE '05/02/04	MOLEX INCORPORATED DOCUMENT NO. SD-55456-010 SHEET NO. 2 OF 2			
	ANGULAR	±3 °	MATERIAL NO. SEE CHART					
DRAFT WHERE APPLICABLE MUST REMAIN WITHIN DIMENSIONS		SIZE A3	THIS DRAWING CONTAINS INFORMATION THAT IS PROPRIETARY TO MOLEX INCORPORATED AND SHOULD NOT BE USED WITHOUT WRITTEN PERMISSION					

44	49.4	45.4	40.4	20.2	28.95	55456-2060	55456-2069	55456-**69 ボス無し WITHOUT BOSS	55456-2050	55456-2059	55456-**59 ボス有り WITH BOSS	20	O K				
					27.7	↑	-1960		↑	-1969		↑	-1950	↑	-1959	19	N O
					26.45		-1860			-1869			-1850		-1859	18	O K
					25.2		-1760			-1769			-1750		-1759	17	N O
					23.95		-1660			-1669			-1650		-1659	16	O K
					22.7		-1560			-1569			-1550		-1559	15	N O
32	37.4	33.4	28.4	14.2	21.45		-1460		-1469		-1450		-1459	14	N O		
					20.2		-1360		-1369		-1350		-1359	13	O K		
					18.95		-1260		-1269		-1250		-1259	12	O K		
					17.7		-1160		-1169		-1150		-1159	11	O K		
24	29.4	25.4	→	11.5	16.45		-1060		-1069		-1050		-1059	10	O K		
					15.2		-0960		-0969		-0950		-0959	9	N O		
					13.95		-0860		-0869		-0850		-0859	8	N O		
					12.7		-0760		-0769		-0750		-0759	7	O K		
					11.45		-0660		-0669		-0650		-0659	6	N O		
16	21.4	17.4	→	7.5	10.2		-0560		-0569		-0550		-0559	5	O K		
					8.95		-0460		-0469		-0450		-0459	4	O K		
					7.7		-0360		-0369		-0350		-0359	3	N O		
F キャリアテープ幅 TAPE WIDTH	E	(D)	(C)	(B)	6.45	55456-0260	55456-0269	MODEL NO.	55456-0250	55456-0259	MODEL NO.	2	O K				
					CONNECTOR		エンボス梱包品 製品番号 MATERIAL NO.		CONNECTOR			エンボス梱包品 製品番号 MATERIAL NO.		極数 CIRCUIT SIZE	量産対応 AVAILABLE		

RELEASED EC NO: J2005-2224 DRAWN: AIDA 2005/02/24 CHKD: KTOJO 2005/02/25 APPR: NUKITA 2005/03/02	GENERAL TOLERANCES (UNLESS SPECIFIED)		DIMENSION STYLE MM ONLY		SCALE 2:1	DESIGN UNITS METRIC	THIRD ANGLE PROJECTION	
	10 UNDER	±0.2	DRAWN BY DATE N. AIDA '05/02/04		TITLE EMBOSSSED TAPE PACKAGE FOR 55456-**** -LEAD FREE-			
	10 OVER 30 UNDER	±0.25	CHECKED BY DATE K. TOJO '05/02/04					
	30 OVER	±0.3	APPROVED BY DATE N. UKITA '05/02/04		MOLEX INCORPORATED			
	ANGULAR ±3 °	DRAFT WHERE APPLICABLE MUST REMAIN WITHIN DIMENSIONS		MATERIAL NO. SEE CHART		DOCUMENT NO. SD-55456-011	SHEET NO. 2 OF 2	
0	SIZE A3 THIS DRAWING CONTAINS INFORMATION THAT IS PROPRIETARY TO MOLEX INCORPORATED AND SHOULD NOT BE USED WITHOUT WRITTEN PERMISSION							