

PLEASE CHECK WWW.MOLEX.COM FOR LATEST PART INFORMATION

Part Number: [0533580640](#)
Status: **Active**
Description: 2.00mm (.049") Pitch Mi II™ Wire-to-Wire Adapter, 6 Circuits, Lead-free

Documents:

[3D Model](#) [Product Specification PS-53358-001 \(PDF\)](#)
[Drawing \(PDF\)](#) [RoHS Certificate of Compliance \(PDF\)](#)
[Product Specification PS-51090-003 \(PDF\)](#)

Agency Certification

CSA LR19980
 UL E29179

General

Product Family Accessories
 Series [53358](#)
 Comments For Panel Mounting
 Component Type Adapter
 Product Name Mi II™

Physical

Circuits (Loaded) 6
 Color - Resin Natural
 Flammability 94V-0
 Gender N/A
 Lock to Mating Part Yes
 Material - Metal Brass
 Material - Plating Mating Tin
 Material - Plating Termination Tin
 Material - Resin Polyester
 Number of Rows 1
 Packaging Type Bag
 Plating min: Mating (µin) 40
 Plating min: Mating (µm) 1.00
 Plating min: Termination (µin) 40
 Plating min: Termination (µm) 1.00
 Polarized to Mating Part Yes
 Temperature Range - Operating -40°C to +105°C

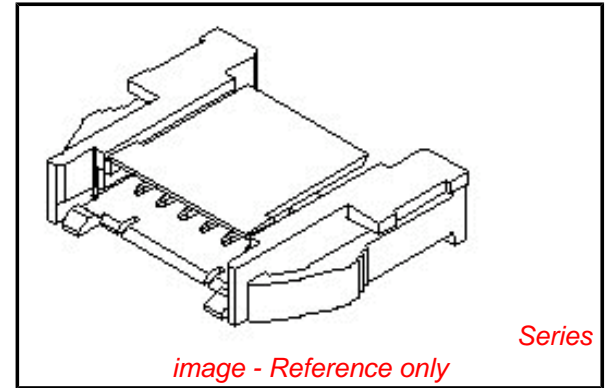
Electrical

Current - Maximum per Contact 2A

Material Info

Reference - Drawing Numbers

Product Specification PS-51090-003, PS-53358-001, RPS-53358-001
 Sales Drawing SD-53358-001



EU RoHS

**ELV and RoHS
 Compliant
 REACH SVHC
 Contains SVHC: Yes**

China RoHS



Anthracene
 4,4'-
 Diaminodiphenylmethane
 Dibutyl phthalate
 Cobalt dichloride
 Diarsenic pentaoxide
 Diarsenic trioxide
 Sodium dichromate
 5-tert-butyl-2,4,6-
 trinitro-m-xylene
 Bis (2-
 ethyl(hexyl)phthalate)
 (DEHP)
 Hexabromocyclododecane
 (HBCDD)
 Alkanes, C10-13,
 chloro (Shrt Chn Cl
 Prfns)
 Bis(tributyltin)oxide
 Lead hydrogen
 arsenate
 Triethyl arsenate
 Benzyl butyl phthalate
Halogen-Free

Status

Not Halogen-Free

**Need more information on product
 environmental compliance?**

Email productcompliance@molex.com
 For a multiple part number RoHS Certificate of
 Compliance, [click here](#)

Please visit the [Contact Us](#) section for any
 non-product compliance questions.

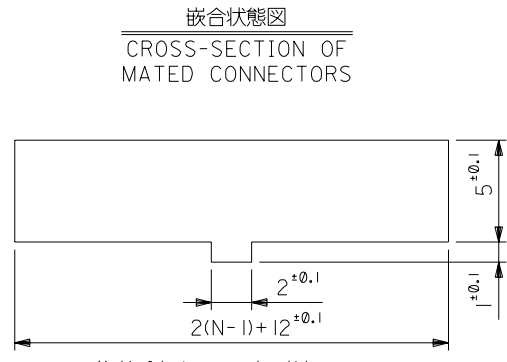
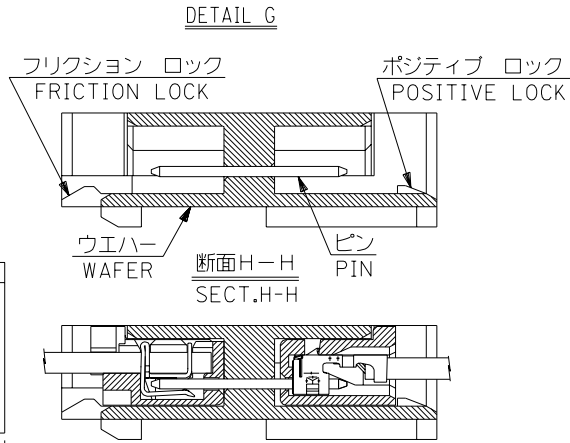
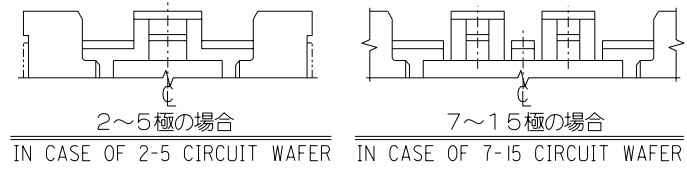
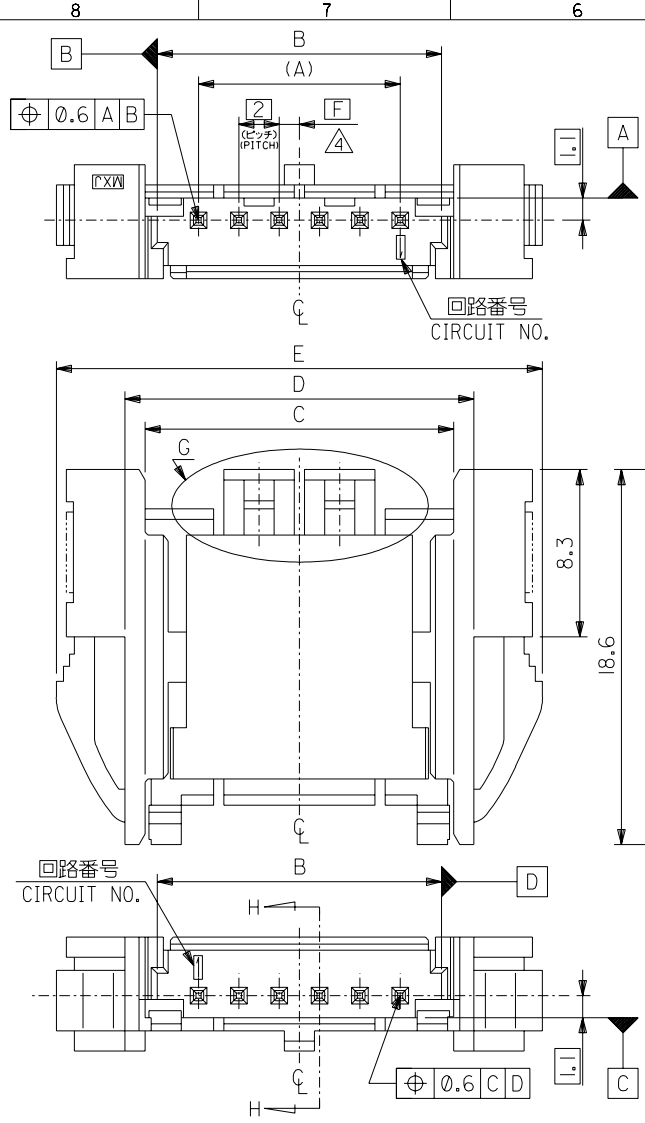
Search Parts in this Series
[53358Series](#)

Use With
51090 Crimp Housing, 52484 IDT Housing

This document was generated on 04/16/2010

PLEASE CHECK WWW.MOLEX.COM FOR LATEST PART INFORMATION

DWG. NO. SD-53358-001



参考パネルスロット寸法
PANEL SLOT DIM.(REF.)
(パネル厚:0.8~2.0)
(THICKNESS : 0.8-2.0)

無鉛
LEAD FREE

注記
NOTES

- 材料 MATERIAL
ウエハー : PBT,UL94V-0
WAFER : PBT,UL94V-0
ピン : 黄銅, スズメッキ(0.05)
PIN : BRASS, TIN PLATED (0.5 SQUARE)
 - 適合圧着ハウジング : 51090-***00
MATING CRIMP RECEPTACLE HOUSING:51090-***00
 - 適合圧接ハウジング : 52484-***1
MATING IDT RECEPTACLE HOUSING:52484-***1
- △ B寸法の中心から、隣接するピンの中心までの位置を示す。
THIS DIMENSION SHOWS SPACING BETWEEN CENTER OF PIN AND CENTER OF B DIMENSION.
- 本図は、6極を示す。
6 CIRCUIT VERSION IS SHOWN IN THIS DRAWING.
 - ハウジングは、パネル打抜き側から挿入すること。
INSERT HOUSING FROM PUNCH SIDE OF PANEL.
 - 色
53358-***40: 自然色 (WHITE)
53358-***42: 赤色 (RED)
53358-***43: 黄色 (YELLOW)
53358-***44: 青色 (BLUE)

2	42.1	35.3	33.3	32.1	28	53358-154*	15
1	40.1	33.3	31.3	30.1	26	-144*	14
2	38.1	31.3	29.3	28.1	24	-134*	13
1	36.1	29.3	27.3	26.1	22	-124*	12
2	34.1	27.3	25.3	24.1	20	-114*	11
1	32.1	25.3	23.3	22.1	18	-104*	10
2	30.1	23.3	21.3	20.1	16	-094*	9
1	28.1	21.3	19.3	18.1	14	-084*	8
2	26.1	19.3	17.3	16.1	12	-074*	7
1	24.1	17.3	15.3	14.1	10	-064*	6
2	22.1	15.3	13.3	12.1	8	-054*	5
1	20.1	13.3	11.3	10.1	6	-044*	4
2	18.1	11.3	9.3	8.1	4	-034*	3
1	16.1	9.3	7.3	6.1	2	53358-024*	2
F	E	D	C	B	A	ENG. NO.	CKT.

DO NOT SCALE DRAWING

図番 NO. DRAWN: CH'K: APPR: 図番 NO. DRAWN: CH'K: APPR: 図番 NO. DRAWN: CH'K: APPR: 図番 NO. DRAWN: CH'K: APPR: 図番 NO. DRAWN: CH'K: APPR:	図番 NO. 12003-1394 DRAWN: S.SHIBATA '02/11/21 CH'K: T.KANEKO '02/11/21 APPR: YO.ITO '02/11/21	MATERIAL 材料 FINISH 仕上げ WIRE RANGE 適用線径範囲 INS. RANGE 被覆外径	GENERAL TOLERANCES: (UNLESS SPECIFIED) 一般公差 10 UNDER 未満 ±0.2 10 OVER 30 UNDER 未満 ±0.25 30 OVER 以上 ±0.3 ANGLE 角度 ±3°	SCALE 1:1 DESIGN UNITS 一般公差 DRAWN BY & DATE S.Shibata '02/11/21 CHECKED BY & DATE Y.Ito '02/11/21 APPROVED BY & DATE Y.Ito '02/11/21 CAD FILENAME SD-53358-001.DGN	DIMENSIONS: 寸法 <input type="checkbox"/> mm <input type="checkbox"/> INCH <input type="checkbox"/> mm ONLY SHT 1 OF 1 REV 01 TITLE: 2.0 WIRE TO WIRE CONN. PANEL MOUNT WAFER ASS'Y MOLEX MOLEX INCORPORATED	MATERIAL NO. SEE CHART DRAWING NO. SD-53358-001 SHEET NO. 1 OF 1 SIZE B