

**PLEASE CHECK WWW.MOLEX.COM FOR LATEST PART INFORMATION**

**Part Number:** [0532583011](#)  
**Status:** **Active**  
**Description:** 3.50mm (.138") Pitch Header, Vertical, Lead-free, 11 Circuits, Phosphor Bronze (CuSn) Contact

**Documents:**

[3D Model](#) [Product Specification PS-51067-022 \(PDF\)](#)  
[Drawing \(PDF\)](#) [RoHS Certificate of Compliance \(PDF\)](#)

**Agency Certification**

UL E29179

**General**

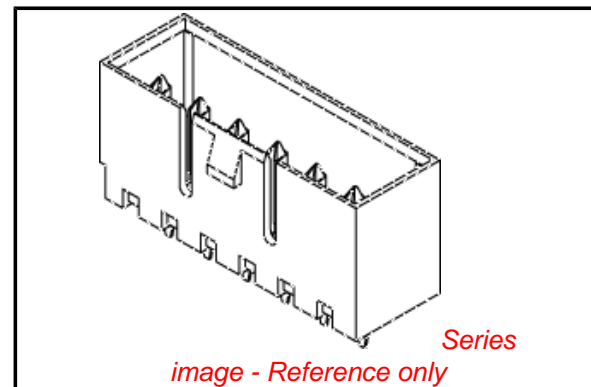
Product Family PCB Headers  
 Series [53258](#)  
 Application Wire-to-Board  
 Product Name N/A

**Physical**

Breakaway No  
 Circuits (Loaded) 11  
 Circuits (maximum) 11  
 Durability (mating cycles max) 30  
 First Mate / Last Break No  
 Flammability 94V-0  
 Glow-Wire Compliant No  
 Guide to Mating Part Yes  
 Keying to Mating Part None  
 Lock to Mating Part Yes  
 Material - Metal Phosphor Bronze  
 Material - Plating Mating Tin  
 Material - Plating Termination Tin  
 Number of Rows 1  
 Orientation Vertical  
 PC Tail Length (in) 0.138 In  
 PC Tail Length (mm) 3.50 mm  
 PCB Locator No  
 PCB Retention None  
 PCB Thickness Recommended (in) 0.062 In  
 PCB Thickness Recommended (mm) 1.60 mm  
 Packaging Type Tray  
 Pitch - Mating Interface (in) 0.138 In  
 Pitch - Mating Interface (mm) 3.50 mm  
 Plating min: Mating (µin) 40  
 Plating min: Mating (µm) 1  
 Plating min: Termination (µin) 40  
 Plating min: Termination (µm) 1  
 Polarized to PCB No  
 Shrouded Fully  
 Stackable No  
 Temperature Range - Operating -40°C to +105°C  
 Termination Interface: Style Through Hole

**Electrical**

Current - Maximum per Contact 4.5A  
 Voltage - Maximum 250V



**EU RoHS**

**ELV and RoHS Compliant**  
**REACH SVHC**  
 Not Reviewed  
**Halogen-Free Status**

**China RoHS**



**Not Reviewed**

**Need more information on product environmental compliance?**

Email [productcompliance@molex.com](mailto:productcompliance@molex.com)  
 For a multiple part number RoHS Certificate of Compliance, [click here](#)

Please visit the [Contact Us](#) section for any non-product compliance questions.

**Search Parts in this Series**

[53258Series](#)

**Mates With**

[51067](#) Wire-to-Wire and Wire-to-Board Housing

**Material Info**

**Reference - Drawing Numbers**

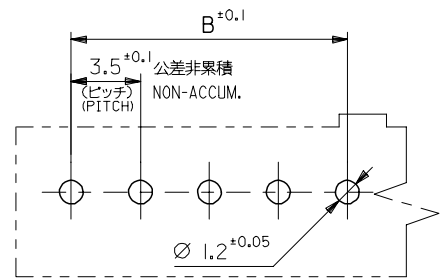
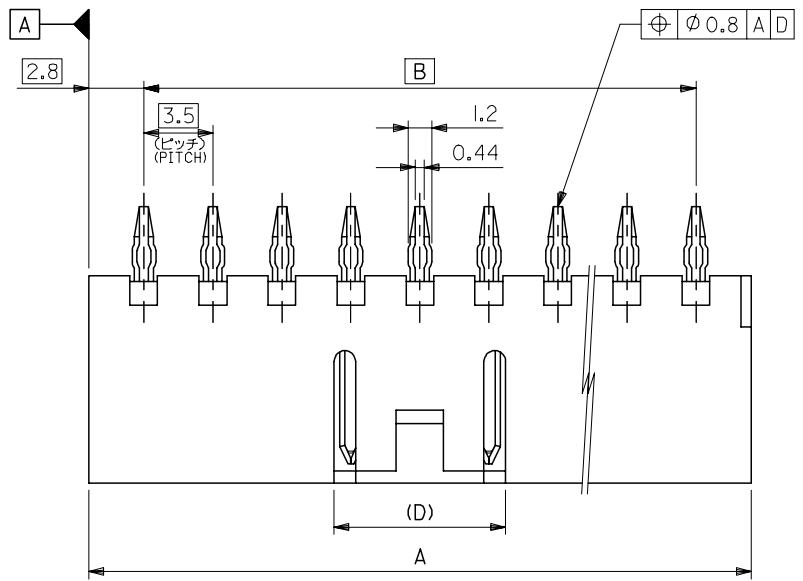
Product Specification

PS-51067-022, RPS-51067-027, RPS-51067-034,  
RPS-51067-036  
SD-53258-008

Sales Drawing

This document was generated on 04/21/2010

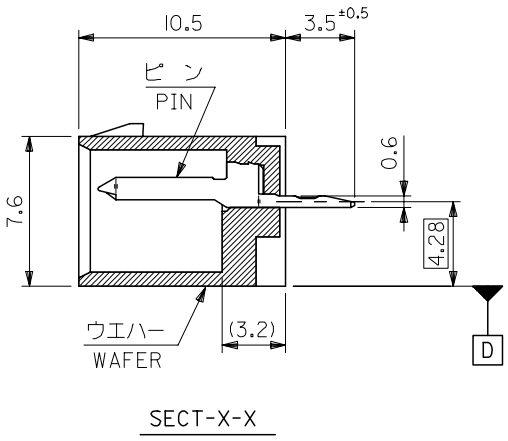
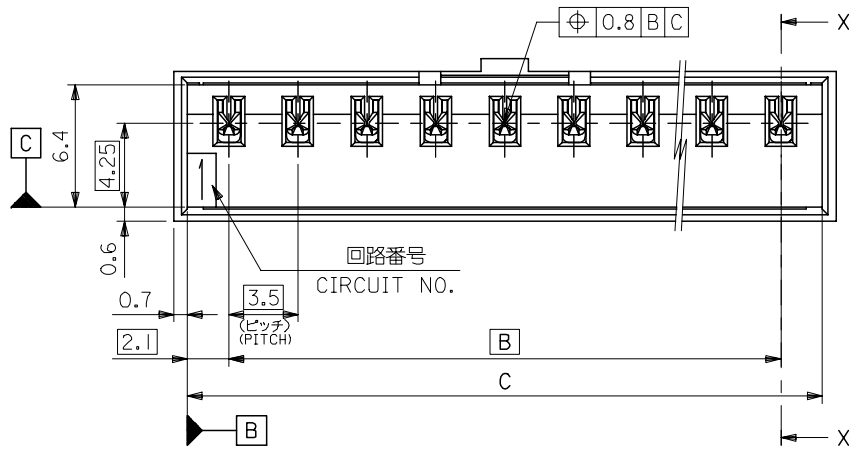
**PLEASE CHECK [WWW.MOLEX.COM](http://WWW.MOLEX.COM) FOR LATEST PART INFORMATION**



基板取付穴推奨寸法 (参考) (t=1.6)  
RECOMMENDED P.C. BOARD HOLE DIM. (REF.)

注記 NOTES

- 嵌合相手: 51067 シリーズ  
MATE WITH: 51067 SERIES
- 材質 MATERIAL  
ウエハー: PBTP (ガラス15%入り)、UL94V-0  
WAFER: PBTP (G.F 15%), UL94V-0  
ピン: リン青銅 ニッケル下地 錫メッキ (t=0.254)  
PIN: PHOS. BRO.  
TIN OVER NICKEL PLATING (t=0.254)
- MATERIAL NO. の説明 LEGEND  
53258-3\*\*\*  
Ver  
色番号  
0 自然色 (NATURAL) 極数  
1 黒 (BLACK)  
2 赤 (RED)  
3 黄 (YELLOW)  
4 青 (BLUE)  
5 ピンク (PINK)  
6 緑 (GREEN)
- 本製品は 53258-\*\*\* の鉛フリー品である。  
THIS PRODUCT IS LEAD FREE OF 53258-\*\*\*.



8.7	53.2	49.0	54.6	53258-3*15	15
↑	49.7	45.5	51.1	↑ -3*14	14
	46.2	42.0	47.6	↑ -3*13	13
	42.7	38.5	44.1	↑ -3*12	12
	39.2	35.0	40.6	↑ -3*11	11
	35.7	31.5	37.1	↑ -3*10	10
	32.2	28.0	33.6	↑ -3*09	9
	28.7	24.5	30.1	↑ -3*08	8
	25.2	21.0	26.6	↑ -3*07	7
	21.7	17.5	23.1	↑ -3*06	6
	18.2	14.0	19.6	↑ -3*05	5
↓	8.7	14.7	10.5	↓ -3*04	4
	6.1	11.2	7.0	↓ -3*03	3
	6.1	7.7	3.5	↓ 53258-3*02	2
(D)	C	B	A	△ MATERIAL NO.	CKT. 極数

RELEASED EC NO: J2005-1783 DRAWN: NAIDA CHKD: KTOJO APPR: NUKITA 2005/01/07 2005/01/08 2005/01/13	GENERAL TOLERANCES (UNLESS SPECIFIED)		DIMENSION STYLE MM ONLY		SCALE 4:1	DESIGN UNITS METRIC	THIRD ANGLE PROJECTION
	10 UNDER	±0.2	DRAWN BY N. AIDA	DATE '04/12/16	TITLE 3.5 WIRE TO BOARD CONN WAFER ASSY (ST) -LEAD FREE-		
	10 OVER 30 UNDER	±0.25	CHECKED BY K. TOJO	DATE '04/12/16	MOLEX INCORPORATED		
	30 OVER	±0.3	APPROVED BY N. UKITA	DATE '04/12/16	DOCUMENT NO. SD-53258-008	SHEET NO. 1 OF 1	
	ANGULAR	±3 °	MATERIAL NO. SEE CHART	THIS DRAWING CONTAINS INFORMATION THAT IS PROPRIETARY TO MOLEX INCORPORATED AND SHOULD NOT BE USED WITHOUT WRITTEN PERMISSION			