

PLEASE CHECK WWW.MOLEX.COM FOR LATEST PART INFORMATION

Part Number: [0532583005](#)
Status: **Active**
Description: 3.50mm (.138") Pitch Header, Vertical, Lead-free, 5 Circuits, Phosphor Bronze (CuSn) Contact

Documents:

[3D Model](#) [Product Specification PS-51067-022 \(PDF\)](#)
[Drawing \(PDF\)](#) [RoHS Certificate of Compliance \(PDF\)](#)

Agency Certification

UL E29179

General

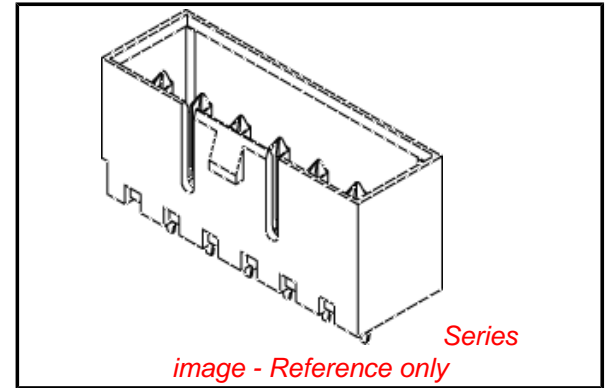
Product Family PCB Headers
 Series [53258](#)
 Application Wire-to-Board
 Product Name N/A

Physical

Breakaway No
 Circuits (Loaded) 5
 Circuits (maximum) 5
 Durability (mating cycles max) 30
 First Mate / Last Break No
 Flammability 94V-0
 Glow-Wire Compliant No
 Guide to Mating Part Yes
 Keying to Mating Part None
 Lock to Mating Part Yes
 Material - Metal Phosphor Bronze
 Material - Plating Mating Tin
 Material - Plating Termination Tin
 Number of Rows 1
 Orientation Vertical
 PC Tail Length (in) 0.138 In
 PC Tail Length (mm) 3.50 mm
 PCB Locator No
 PCB Retention None
 PCB Thickness Recommended (in) 0.062 In
 PCB Thickness Recommended (mm) 1.60 mm
 Packaging Type Tray
 Pitch - Mating Interface (in) 0.138 In
 Pitch - Mating Interface (mm) 3.50 mm
 Plating min: Mating (µin) 40
 Plating min: Mating (µm) 1
 Plating min: Termination (µin) 40
 Plating min: Termination (µm) 1
 Polarized to PCB No
 Shrouded Fully
 Stackable No
 Temperature Range - Operating -40°C to +105°C
 Termination Interface: Style Through Hole

Electrical

Current - Maximum per Contact 4.5A
 Voltage - Maximum 250V



EU RoHS

ELV and RoHS Compliant
REACH SVHC
 Not Reviewed
Halogen-Free Status

China RoHS



Not Reviewed

Need more information on product environmental compliance?

Email productcompliance@molex.com
 For a multiple part number RoHS Certificate of Compliance, [click here](#)

Please visit the [Contact Us](#) section for any non-product compliance questions.

Search Parts in this Series

[53258Series](#)

Mates With

[51067](#) Wire-to-Wire and Wire-to-Board Housing

Material Info

Reference - Drawing Numbers

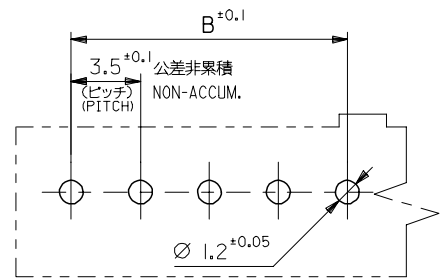
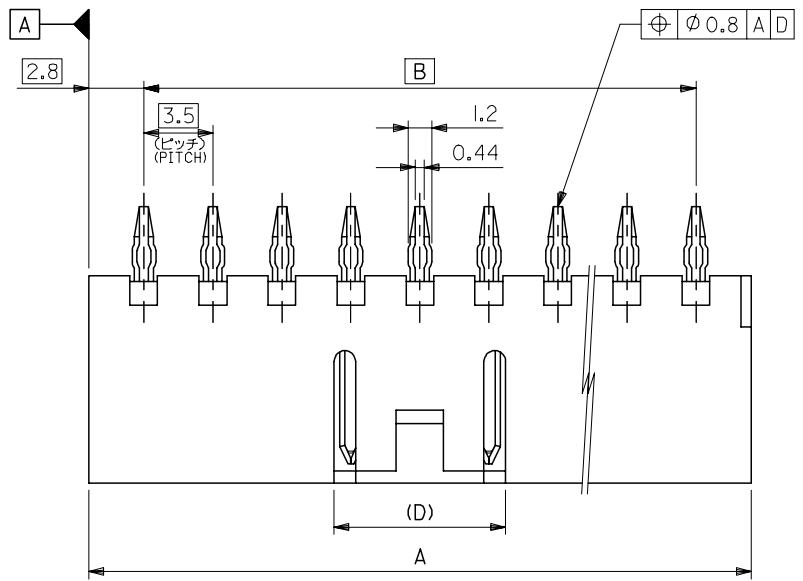
Product Specification

PS-51067-022, RPS-51067-027, RPS-51067-034,
RPS-51067-036
SD-53258-008

Sales Drawing

This document was generated on 04/16/2010

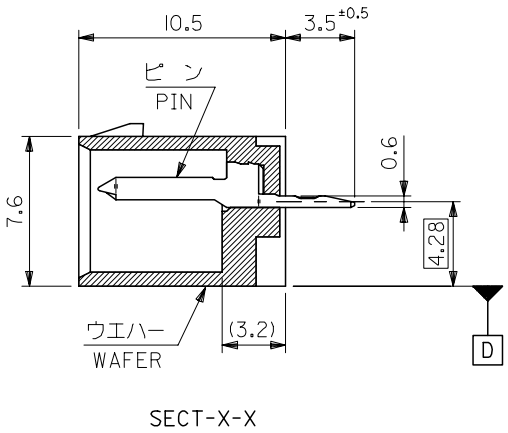
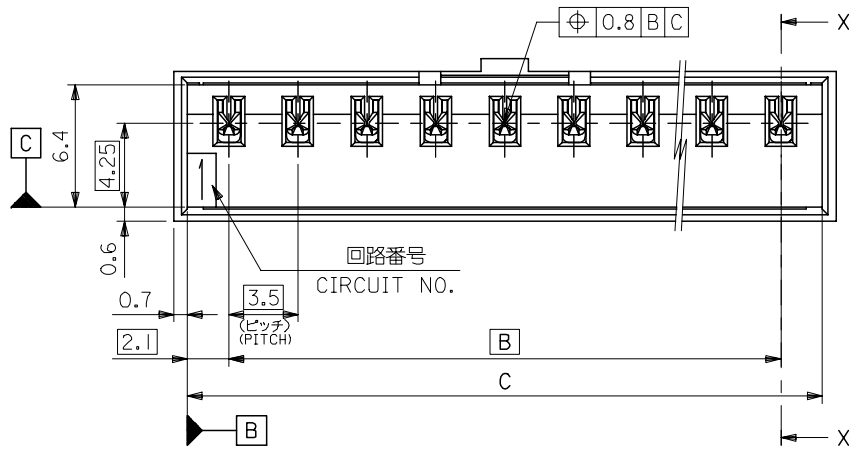
PLEASE CHECK WWW.MOLEX.COM FOR LATEST PART INFORMATION



基板取付穴推奨寸法 (参考) (t=1.6)
RECOMMENDED P.C. BOARD HOLE DIM. (REF.)

注記 NOTES

- 嵌合相手: 51067 シリーズ
MATE WITH: 51067 SERIES
- 材質 MATERIAL
ウエハー: PBTP (ガラス15%入り)、UL94V-0
WAFER: PBTP (G.F 15%), UL94V-0
ピン: リン青銅 ニッケル下地 錫メッキ (t=0.254)
PIN: PHOS. BRO.
TIN OVER NICKEL PLATING (t=0.254)
- MATERIAL NO. の説明 LEGEND
53258-3***
Ver 色番号 極数
0 自然色 (NATURAL)
1 黒 (BLACK)
2 赤 (RED)
3 黄 (YELLOW)
4 青 (BLUE)
5 ピンク (PINK)
6 緑 (GREEN)
- 本製品は 53258-*** の鉛フリー品である。
THIS PRODUCT IS LEAD FREE OF 53258-***.



8.7	53.2	49.0	54.6	53258-3*15	15	
↑	49.7	45.5	51.1	↑ -3*14	14	
	46.2	42.0	47.6	↑ -3*13	13	
	42.7	38.5	44.1	↑ -3*12	12	
	39.2	35.0	40.6	↑ -3*11	11	
	35.7	31.5	37.1	↑ -3*10	10	
	32.2	28.0	33.6	↑ -3*09	9	
	28.7	24.5	30.1	↑ -3*08	8	
	25.2	21.0	26.6	↑ -3*07	7	
	21.7	17.5	23.1	↑ -3*06	6	
↓	18.2	14.0	19.6	↑ -3*05	5	
	8.7	14.7	10.5	↓ -3*04	4	
	6.1	11.2	7.0	↓ -3*03	3	
	6.1	7.7	3.5	9.1	53258-3*02	2
(D)	C	B	A	△ MATERIAL NO.	CKT. 極数	

RELEASED EC NO: J2005-1783 DRAWN: NAIDA CHKD: KTOJO APPR: NUKITA 2005/01/07 2005/01/08 2005/01/13	GENERAL TOLERANCES (UNLESS SPECIFIED)		DIMENSION STYLE MM ONLY		SCALE 4:1	DESIGN UNITS METRIC	THIRD ANGLE PROJECTION
	10 UNDER	±0.2	DRAWN BY N. AIDA	DATE '04/12/16	TITLE 3.5 WIRE TO BOARD CONN WAFER ASSY (ST) -LEAD FREE-		
	10 OVER 30 UNDER	±0.25	CHECKED BY K. TOJO	DATE '04/12/16	MOLEX INCORPORATED		
	30 OVER	±0.3	APPROVED BY N. UKITA	DATE '04/12/16	DOCUMENT NO. SD-53258-008	SHEET NO. 1 OF 1	
	ANGULAR	±3 °	MATERIAL NO. SEE CHART	THIS DRAWING CONTAINS INFORMATION THAT IS PROPRIETARY TO MOLEX INCORPORATED AND SHOULD NOT BE USED WITHOUT WRITTEN PERMISSION			
DRAFT WHERE APPLICABLE MUST REMAIN WITHIN DIMENSIONS							