

UPS835L

**SURFACE MOUNT
 POWERMITE® 3 Surface Mount Power Package**

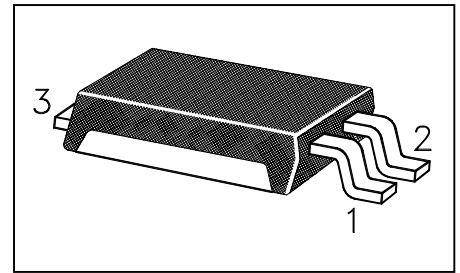
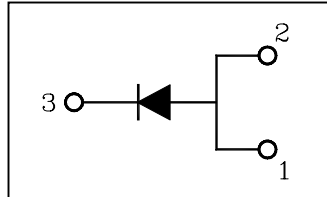
**SCHOTTKY BARRIER
 RECTIFIER
 8 AMP 35 VOLT**

Features

- Low Profile – Maximum height of 1.1 mm
- Footprint Area of 16.51 mm
- Low V_F Provides Higher Efficiency
- Supplied in 16mm Tape and Reel – 6000 units/reel
- Low Thermal Resistance with Direct Thermal Path of Die on Exposed Cathode Heat Sink

Mechanical Characteristics

- Case: Molded Epoxy
- Meets UL94VO at 1/8 inch
- Weight: 72 milligrams (approximate)
- Device Marking UPS835L
- Lead and Mounting Surface Temperature for Soldering = 260°C Maximum for 10 Seconds



Maximum Ratings

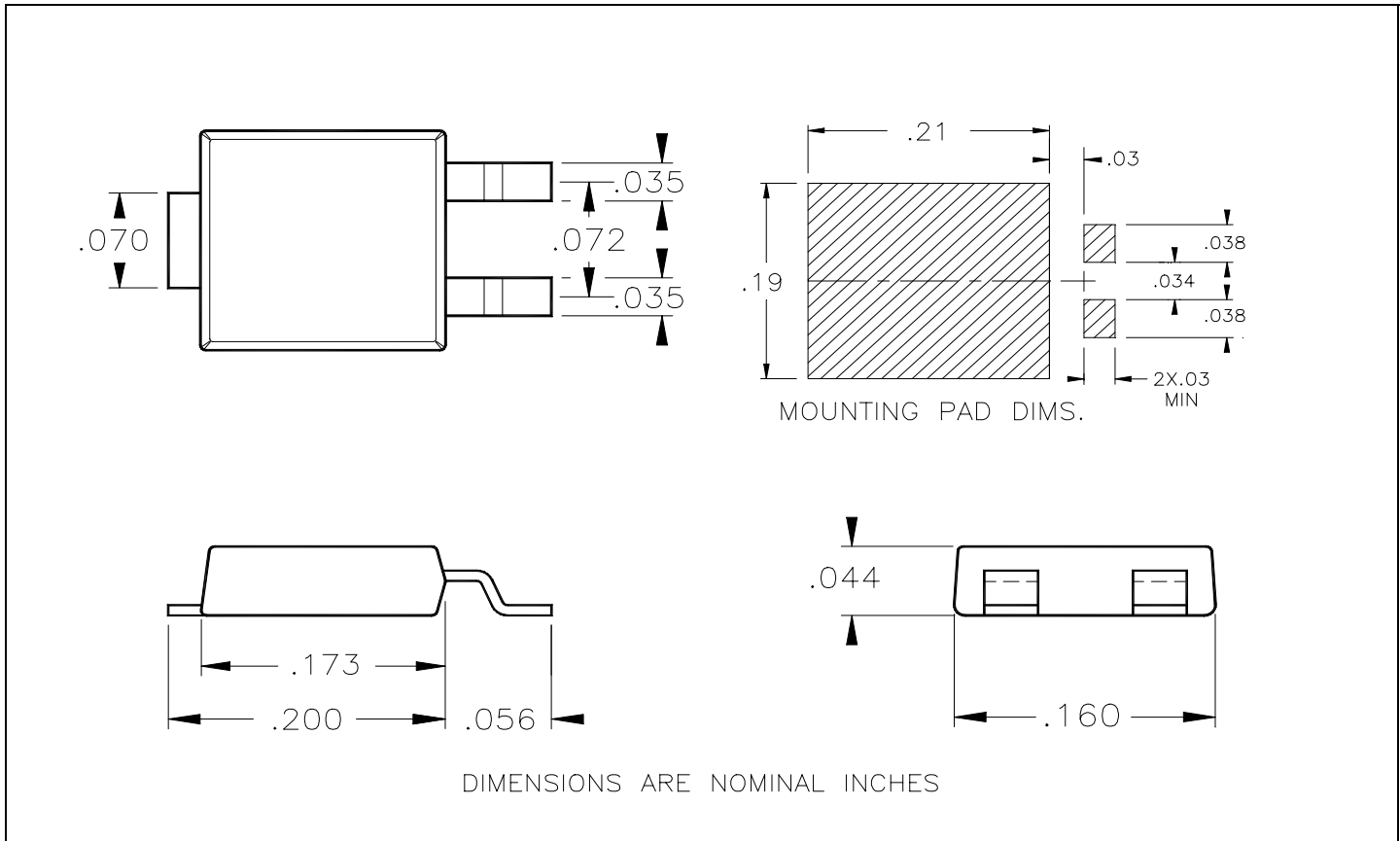
RATING	(Conditions)	SYMBOL	VALUE	UNIT
Peak Repetitive Reverse Voltage		V_{RRM}	35	V
Working Peak Reverse Voltage		V_{RWM}	35	V
DC Blocking Voltage		V_R	35	V
Average Rectified Forward Current	(@ Rated V_R and $T_C = 100^\circ\text{C}$)	I_O	8	A
Repetitive Peak Surge Current	(Non-Repetitive peak surge current @ $I_b = 8$ Amps)	I_{FSM}	100	A
Storage Temperature Range		T_{stg}, T_C	- 55 to 150	°C
Operating Temperature Range		T_J	- 55 to 125	°C
Voltage Rate of Change	(@ Rated V_R and $T_J = 25^\circ\text{C}$)	dv/dt	1000	V/us

Thermal Characteristics

Thermal Resistance, Junction – to -- Case	R_{tjtab}	3	°C/W
Thermal Resistance, Junction-to-Ambient	R_{tja}	60	°C/W

Electrical Characteristics

RATING	(Conditions)	SYMBOL	VALUE	UNITS
Maximum Instantaneous Forward Voltage	($I_F = 8$ Amps, $T_C = + 25^\circ\text{C}$)	V_F	0.51	Volts
	($I_F = 8$ Amps, $T_C = +125^\circ\text{C}$)	V_F	0.41	
Maximum Instantaneous Reverse Current	(Rated Vdc, $T_C = + 25^\circ\text{C}$)	I_R	1.40	mA
	(Rated Vdc, $T_C = + 125^\circ\text{C}$)	I_R	35.0	


MECHANICAL SPECIFICATIONS