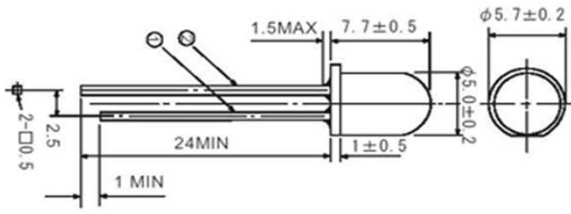


**Product Data Sheet**

**LED Lamp UV MT5355-UV**

Radiation	Type	Case
Ultra violet	resin mold packaged	5mm plastic lens

	<p><b>Description:</b></p> <p>Dimension in mm          High power, high-speed, narrow beam angle, high reliability</p>
---	--

**Maximum Ratings**

T<sub>amb</sub>= 25°C, unless otherwise specified

Parameter	Test Conditions	Symbol	Value	Unit
Forward Current		I <sub>F</sub>	25	mA
Peak forward current	(d. c.<1/10, p. width<0.1msec)	I <sub>FM</sub>	100	mA
Reverse voltage	I <sub>R</sub> = 100 μA	I <sub>R</sub>	85	mA
Power dissipation		P <sub>D</sub>	100	mW
Operating temp. range		T <sub>amb</sub>	-30 to +80	°C
Storage temp. range		T <sub>stg</sub>	-30 to +85	°C
Lead soldering temp.	< 5s, 3mm from case	T <sub>slg</sub>	260	°C

**Optical and Electrical Characteristics**

T<sub>amb</sub>= 25°C, unless otherwise specified

Parameter	Symbol	Conditions	Min	typ	max	Unit
Forward voltage	V <sub>F</sub>	I <sub>F</sub> = 20mA	3.0	3.6	4.2	V
Radiant Power	Φ <sub>e</sub>	I <sub>F</sub> = 20mA		1.2		mW
Peak wavelength	λ <sub>p</sub>	I <sub>F</sub> = 20mA	353		360	nm
Viewing angle	φ	I <sub>F</sub> = 20mA		15		deg.
Spectral bandwidth at 50%	Δλ <sub>0,5</sub>	I <sub>F</sub> = 20mA		15		nm